

This catalog covers:

'08~'09 KVF750 D8F/D9F

GRID NO.

A-1

This grid covers:

Title



PARTS CATALOG

'08~'09 KVF750 D8F/D9F

(KVF750 4x4)

| | |
|----------------------------|-----|
| Publications | A-2 |
| Model Identification | A-4 |
| Engine | B-1 |
| Chassis | E-1 |

© Kawasaki Heavy Industries, Ltd. 2008

Engine No. Location:
RH hand lower part of the crankcase

Year & Model

'08 KVF750D8F

'09 KVF750D9F

Color

- 1. Colored Plastic Super Black (839)
- 2. Colored Plastic Woodsman Green (286)
- 3. Lime Green (777)

- 1. Colored Plastic Super Black (839)
- 2. Colored Plastic Woodsman Green (286)
- 3. Lime Green (777)

VIN No. Range

JKAVFDD1√8B500001 ~ 510500 (Australia only)
JKAVF750DDB600001 ~ 601700 (Europe only)

JKAVFDD1√9B510501 ~ (Australia only)
JKAVF750DDB601701 ~ (Europe only)

Engine No. Range

VF750DE500001 ~

VF750DE500001 ~

This catalog covers:

'08~'09 KVF750 D8F/D9F

GRID NO.

A-2

This grid covers:

Publications

| Year & Model | Owner's Manual | A&P Manual | | Service Manual | | Microfiche |
|----------------|------------------------------------------|---------------|------------|----------------|------------|---------------|
| | | General | Supplement | Basic | Supplement | |
| 2008 KVF750D8F | 99986-1408(Australia only) 99977-1280 | 99931-1489-01 | | 99924-1394-01 | | 99912-1507-02 |
| 2009 KVF750D9F | 99986-1464(Australia only) 99977-1332 | See above | | 99924-1394-02 | | See above |

This catalog covers:

'08~'09 KVF750 D8F/D9F

GRID NO.

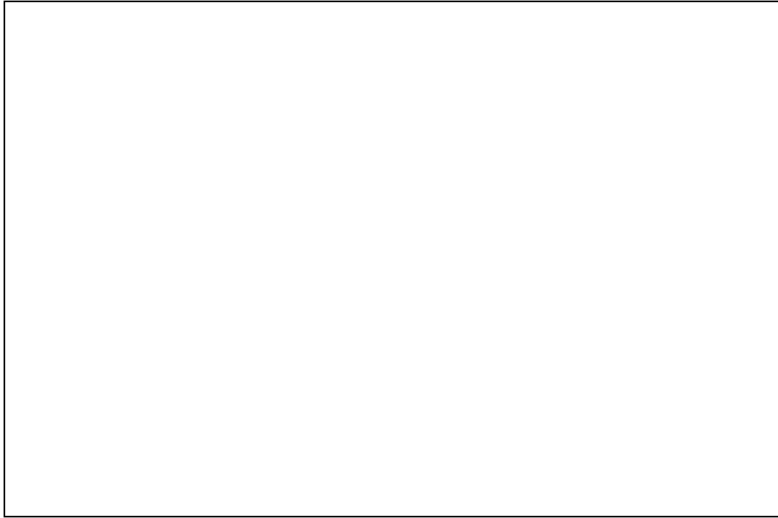
A-4

This grid covers:

Model I.D. '08~'09 KVF750 D8F/D9F

KVF750D8F

Left Side View

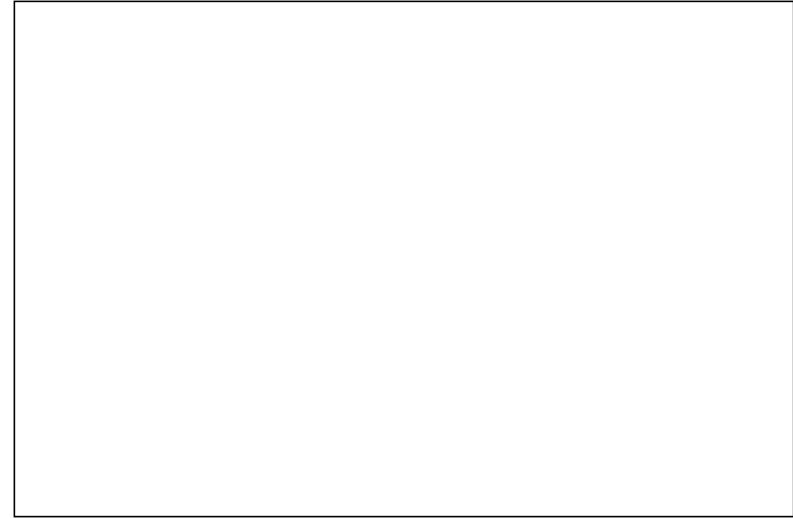


Right Side View

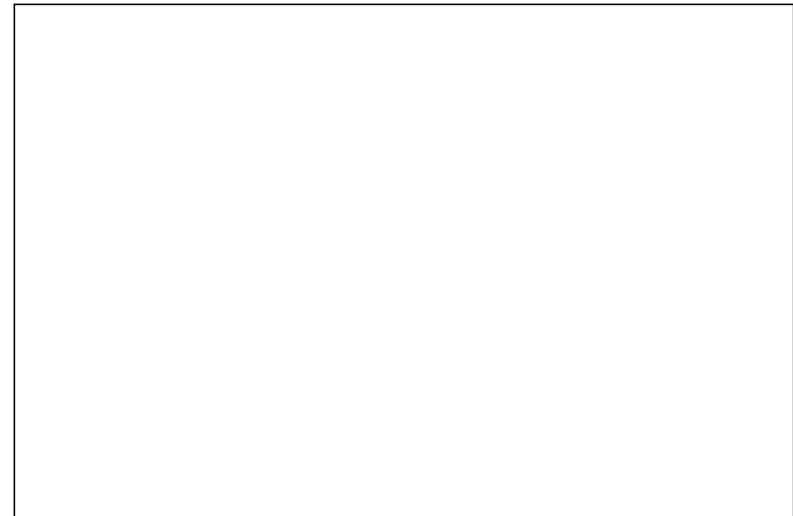


KVF750D9F

Left Side View



Right Side View



This catalog covers:

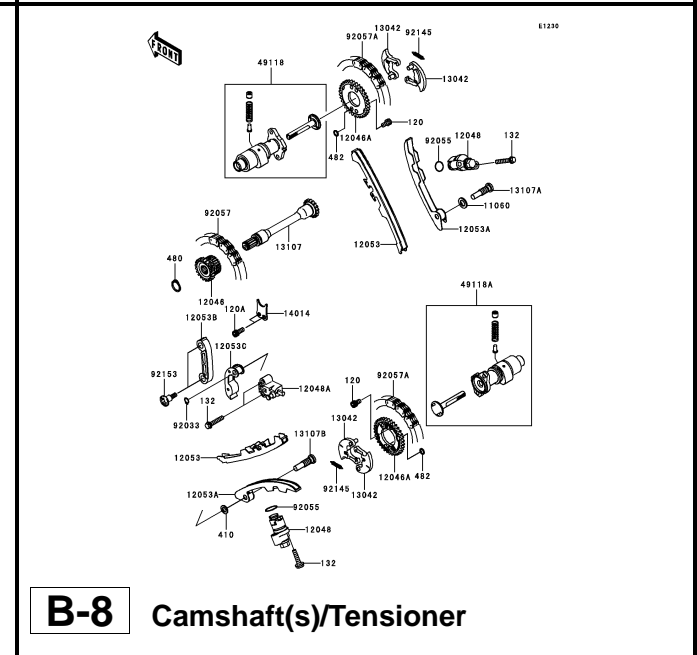
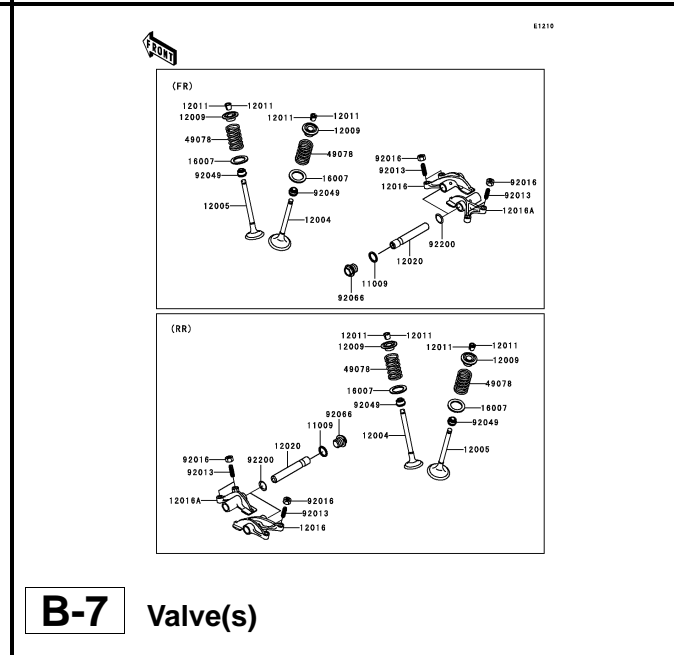
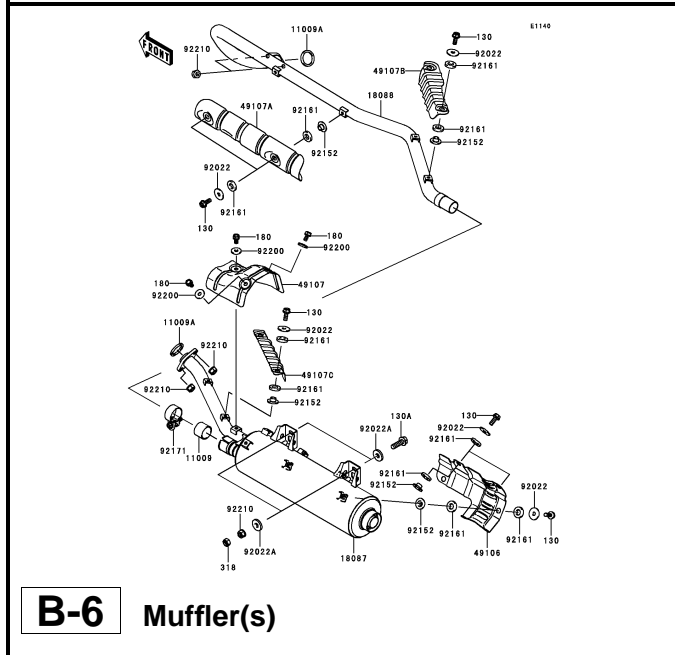
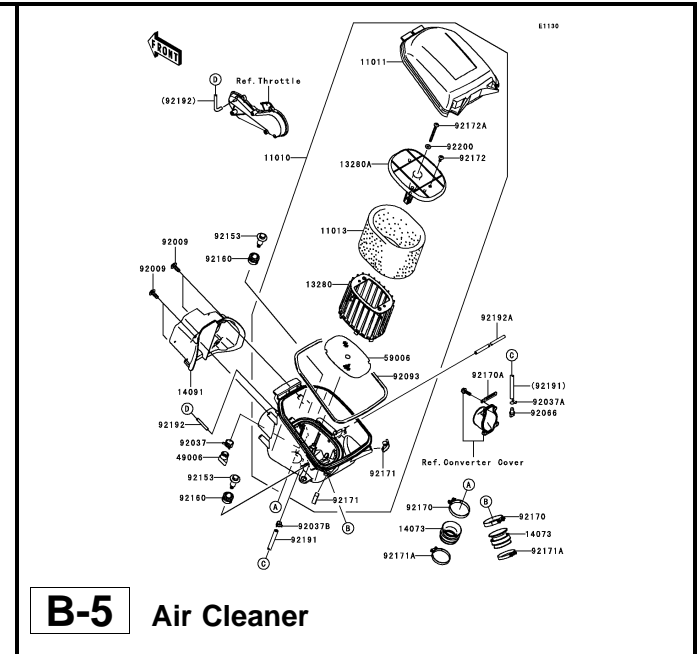
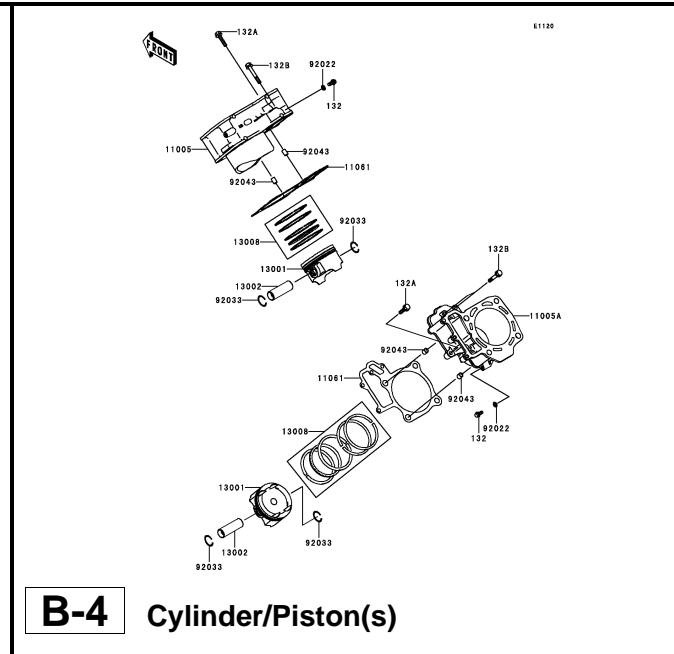
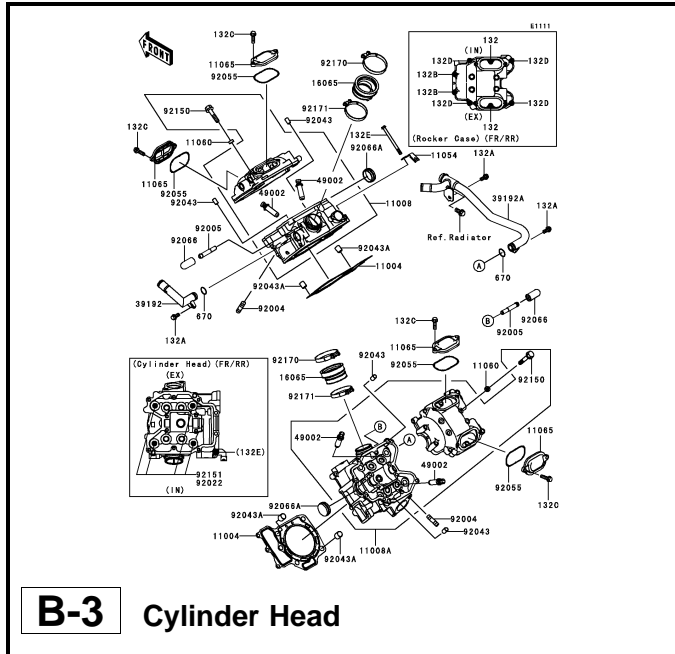
'08~'09 KVF750 D8F/D9F Engine

GRID NO.

B-1

This grid covers:

Pictorial Index



This catalog covers:

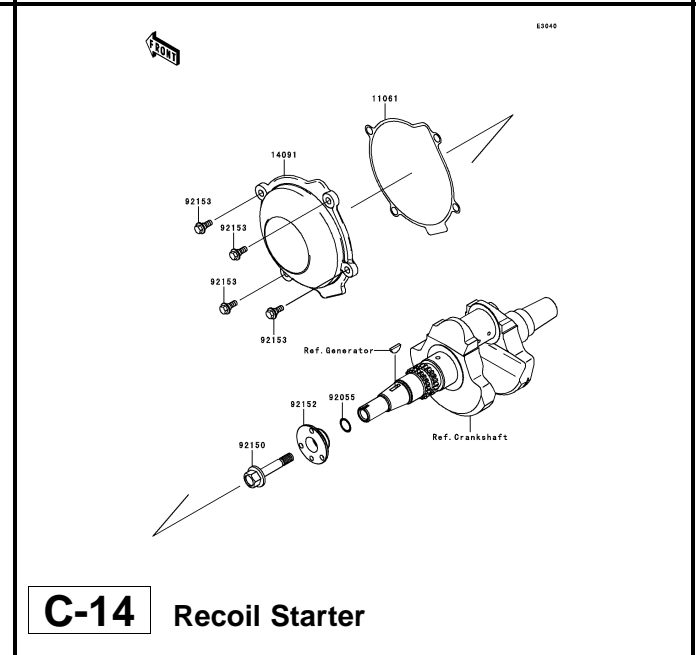
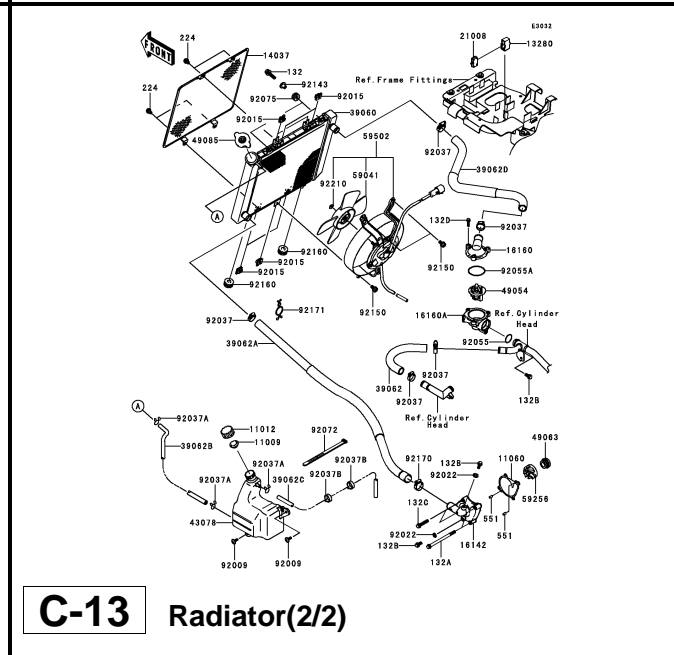
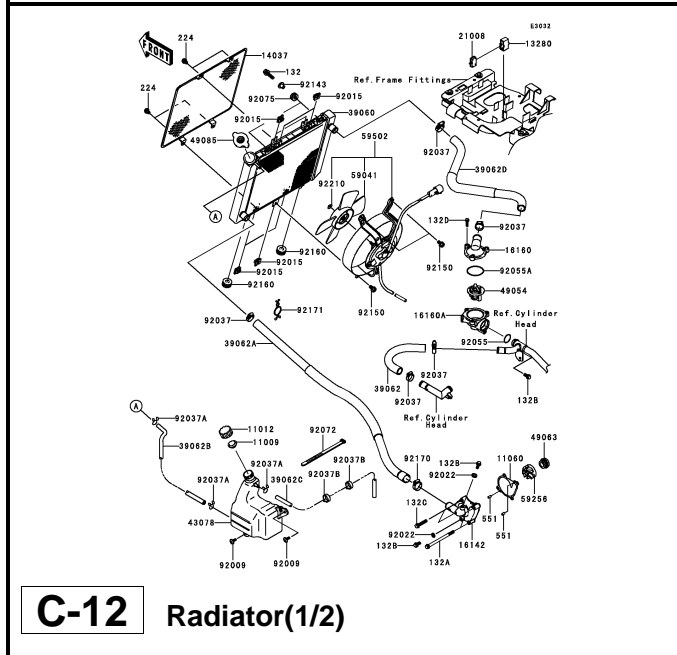
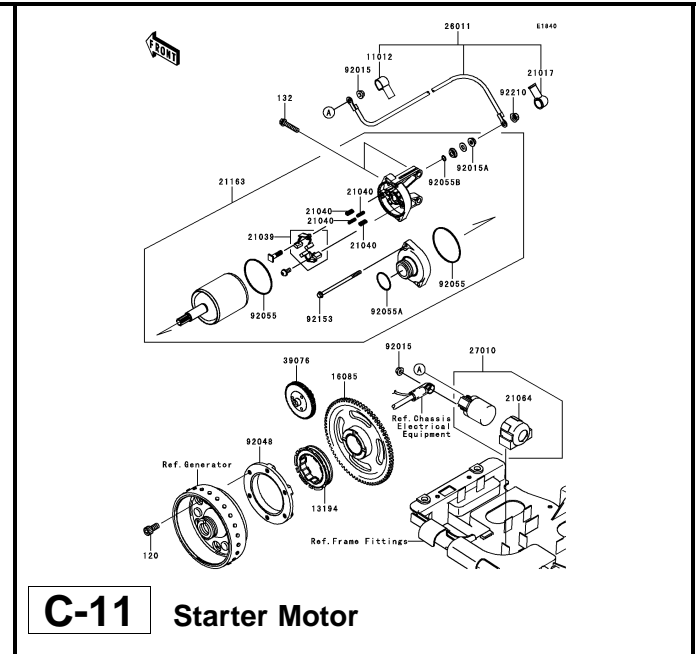
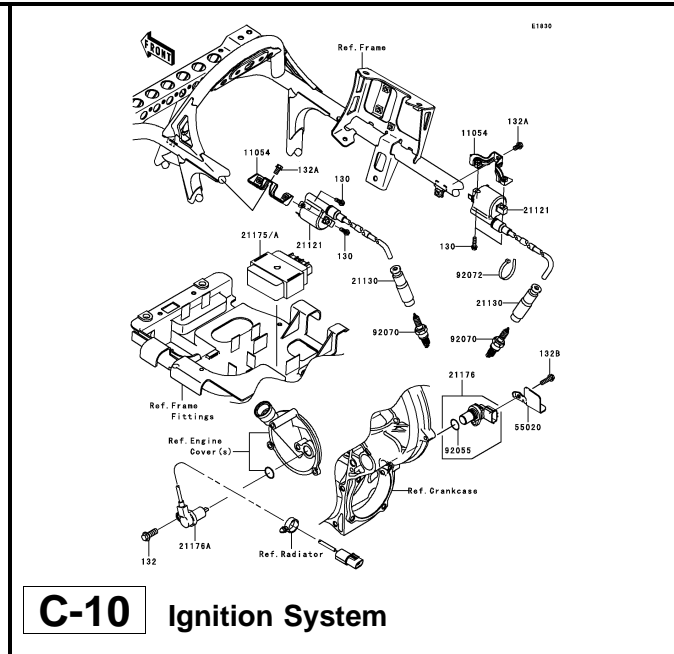
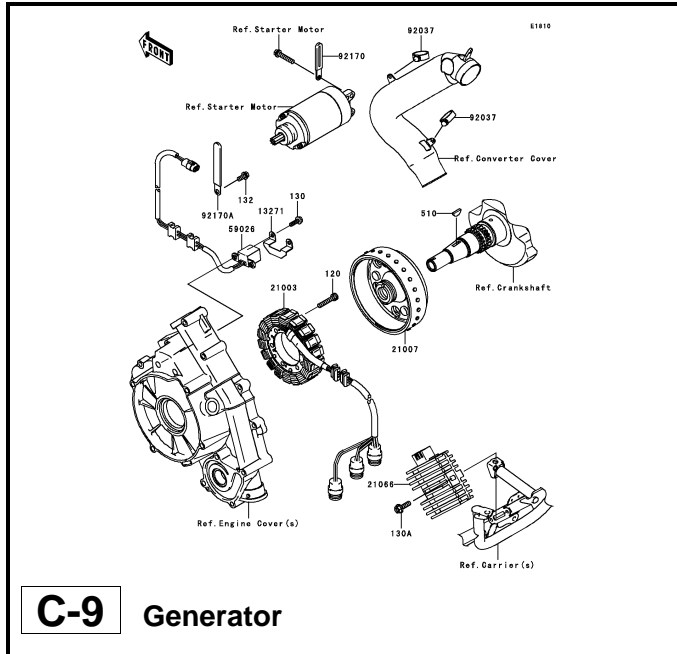
'08~'09 KVF750 D8F/D9F Engine

GRID NO.

C-2

This grid covers:

Pictorial Index



This catalog covers:

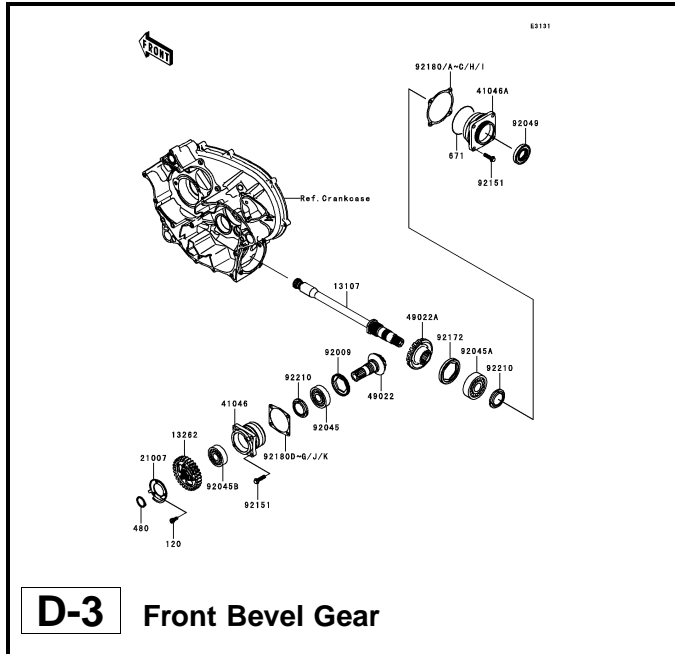
'08~'09 KVF750 D8F/D9F Engine

GRID NO.

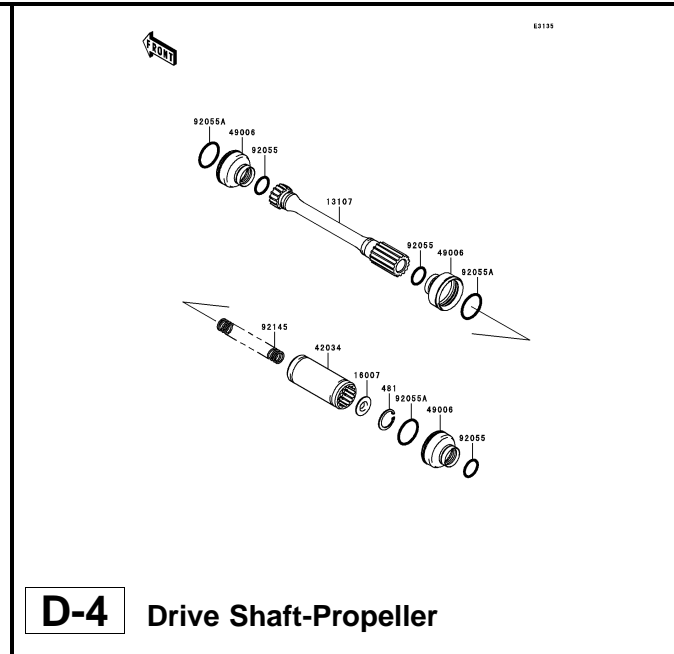
D-1

This grid covers:

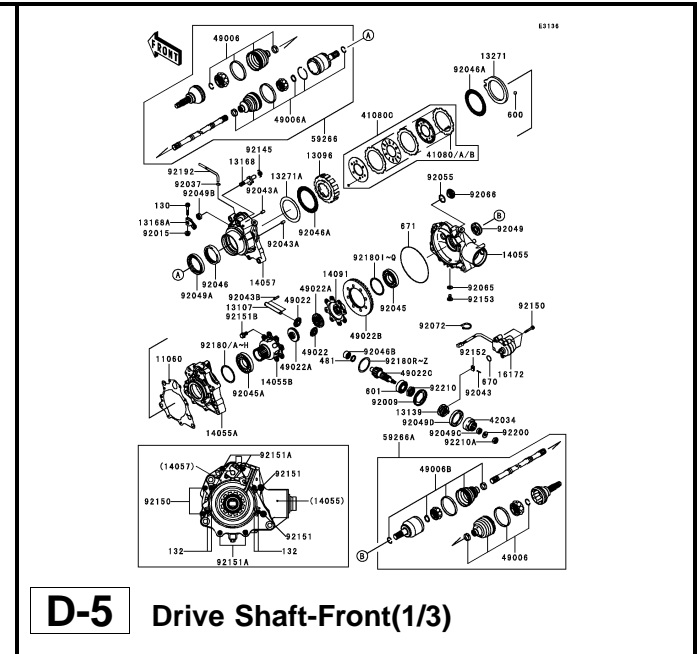
Pictorial Index



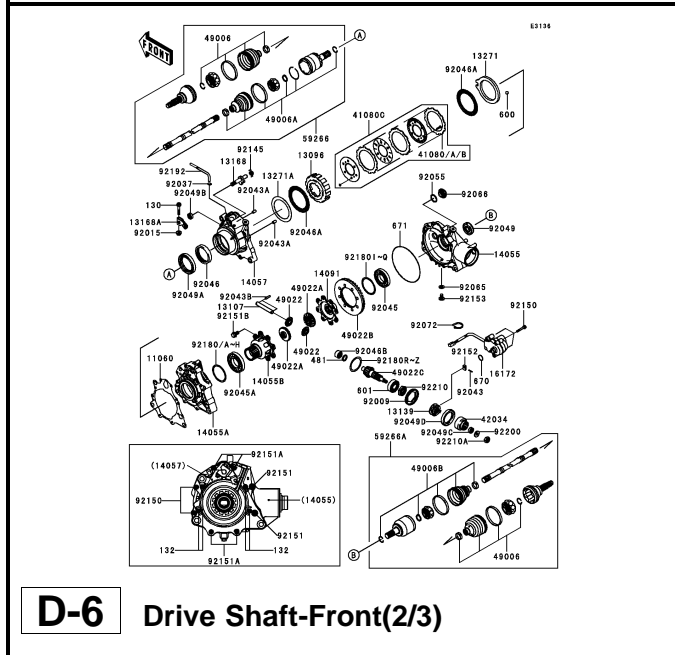
D-3 Front Bevel Gear



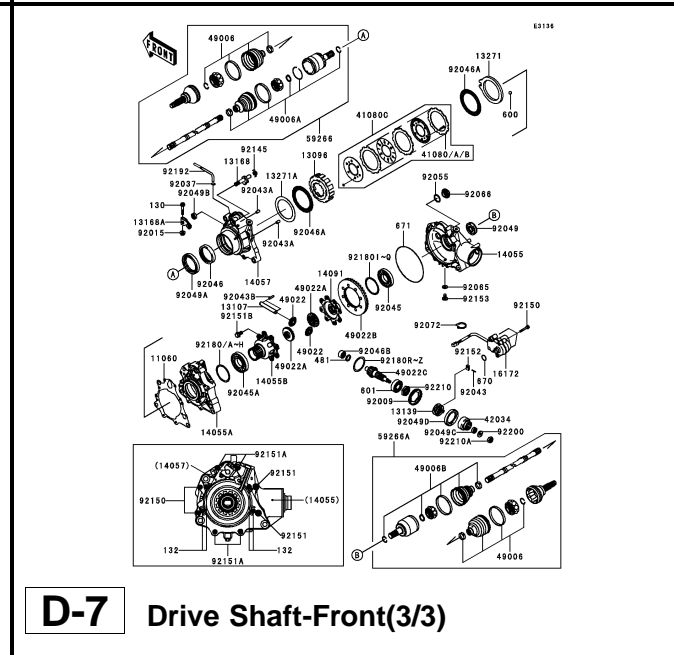
D-4 Drive Shaft-Propeller



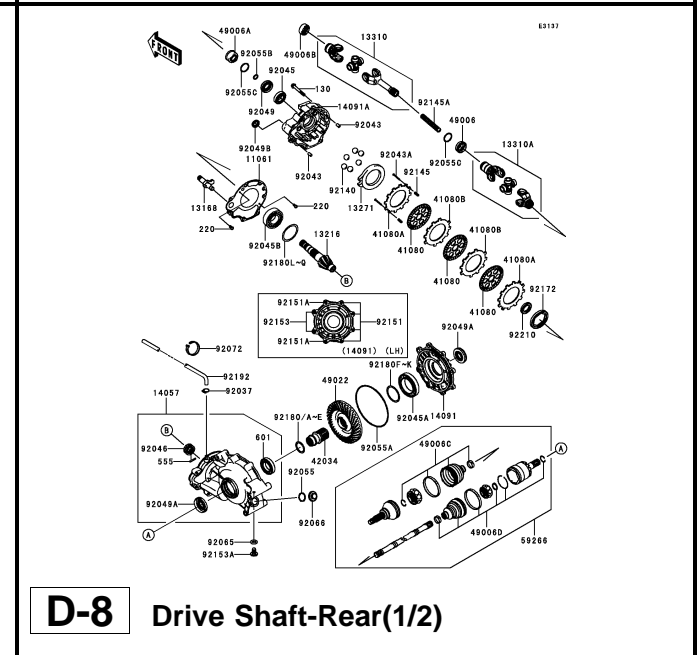
D-5 Drive Shaft-Front(1/3)



D-6 Drive Shaft-Front(2/3)



D-7 Drive Shaft-Front(3/3)



D-8 Drive Shaft-Rear(1/2)

This catalog covers:

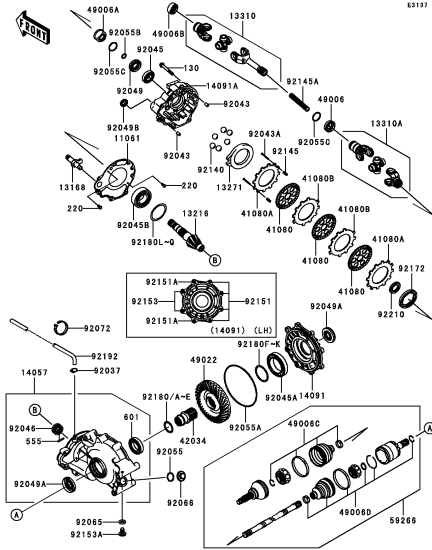
'08~'09 KVF750 D8F/D9F Engine

GRID NO.

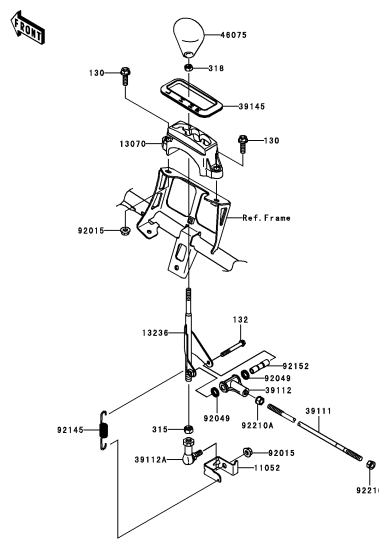
D-2

This grid covers:

Pictorial Index



D-9 Drive Shaft-Rear(2/2)



D-10 Control

This catalog covers:

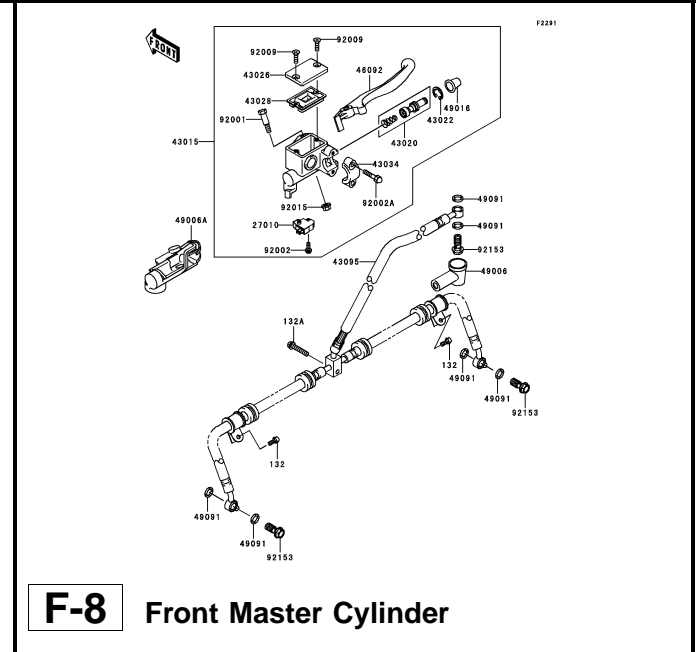
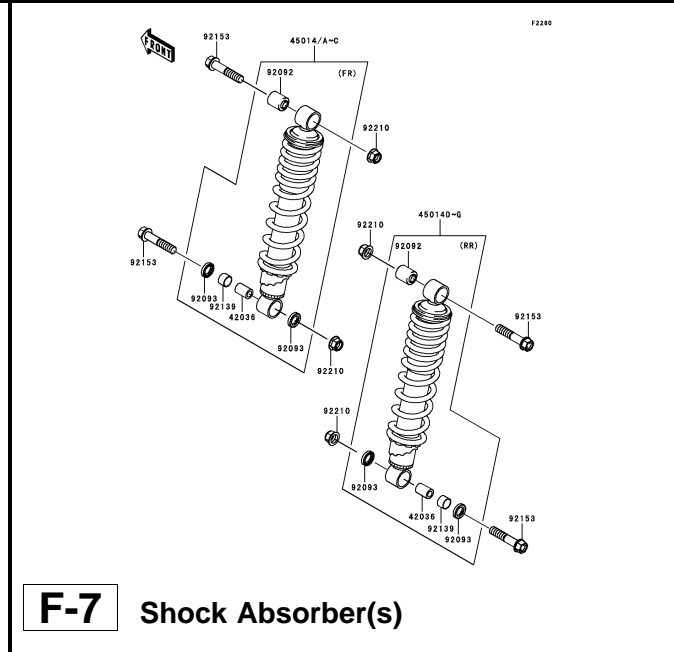
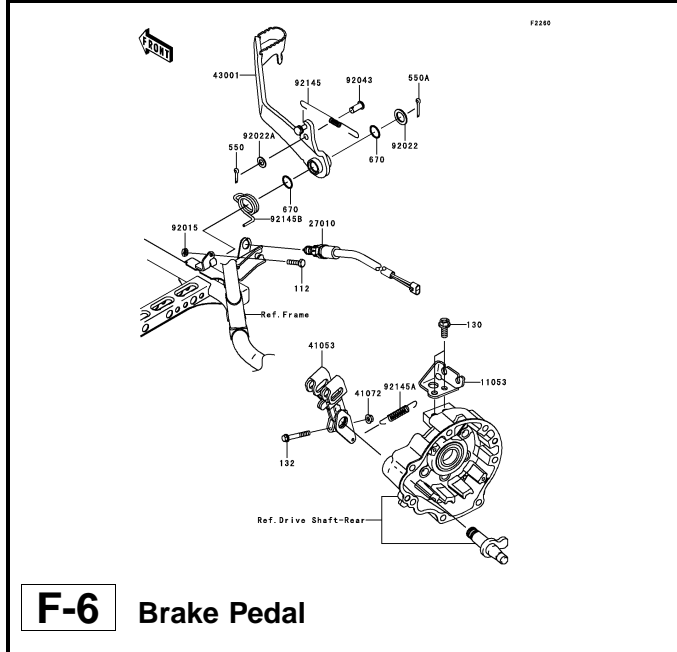
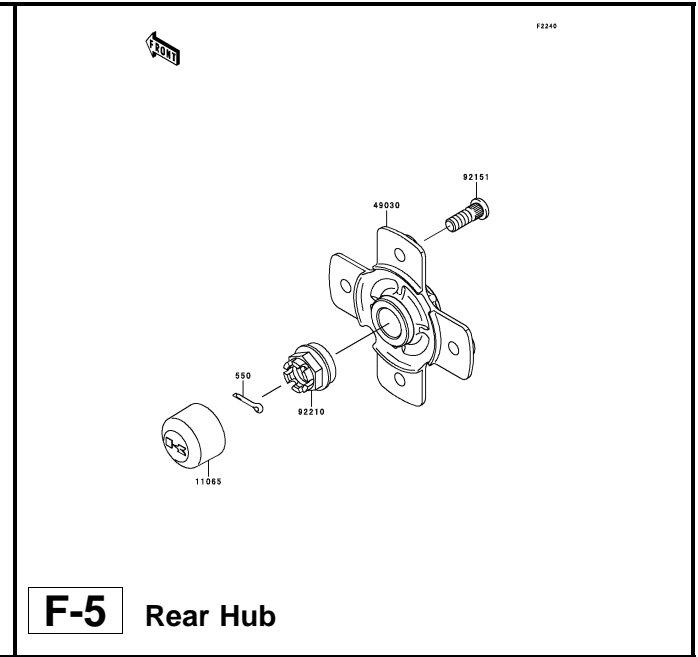
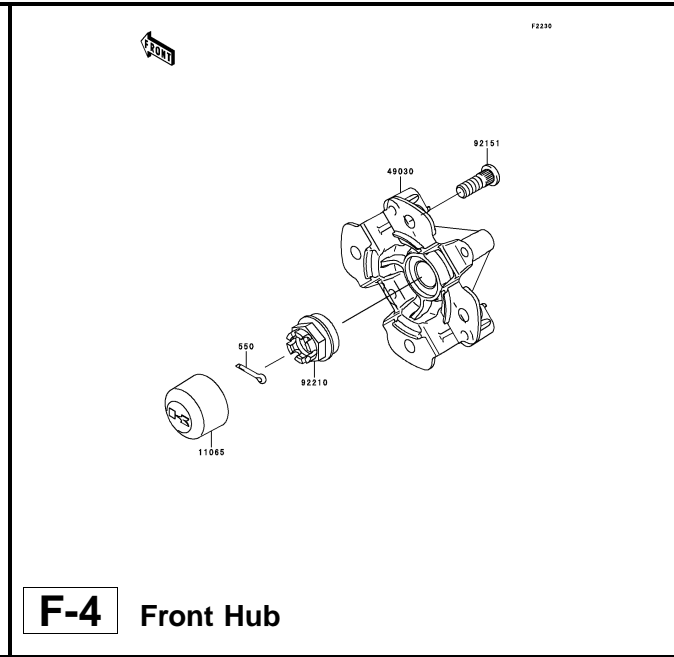
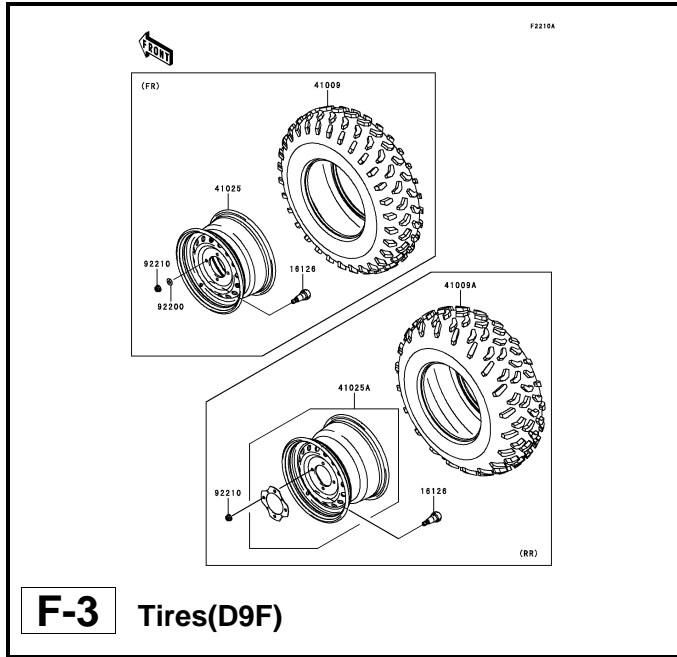
'08~'09 KVF750 D8F/D9F Chassis

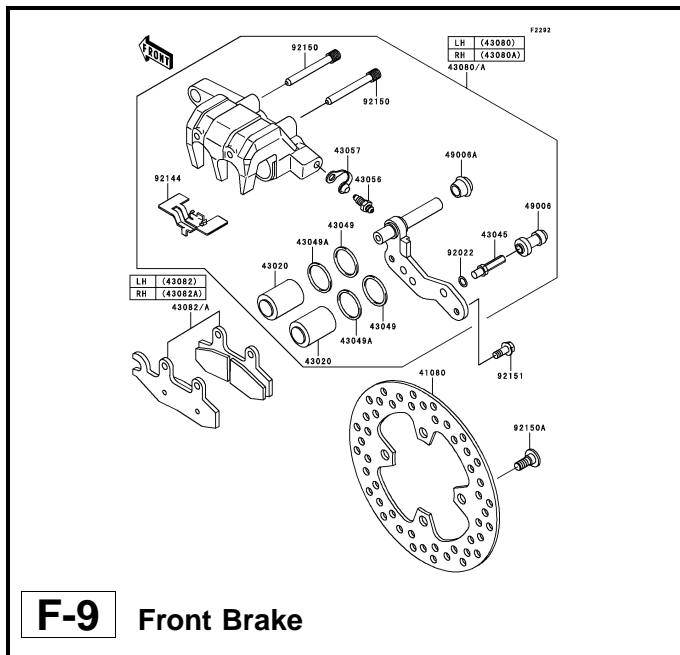
GRID NO.

F-1

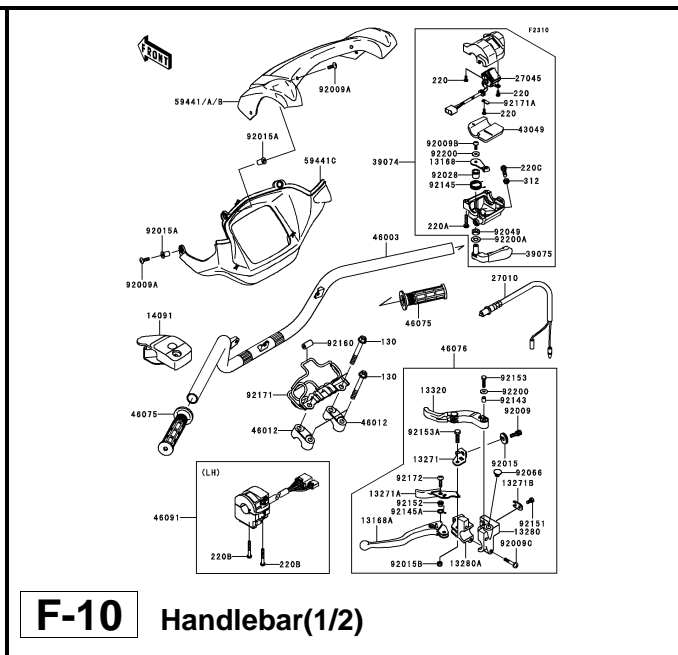
This grid covers:

Pictorial Index

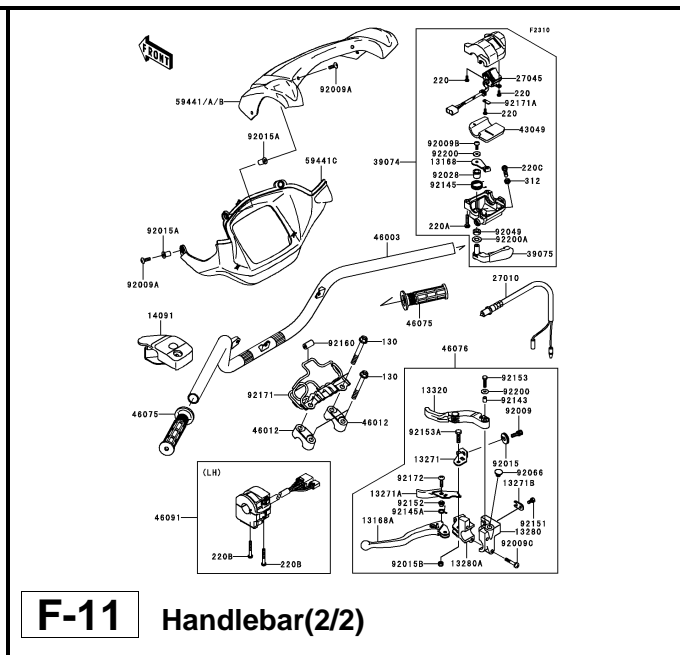




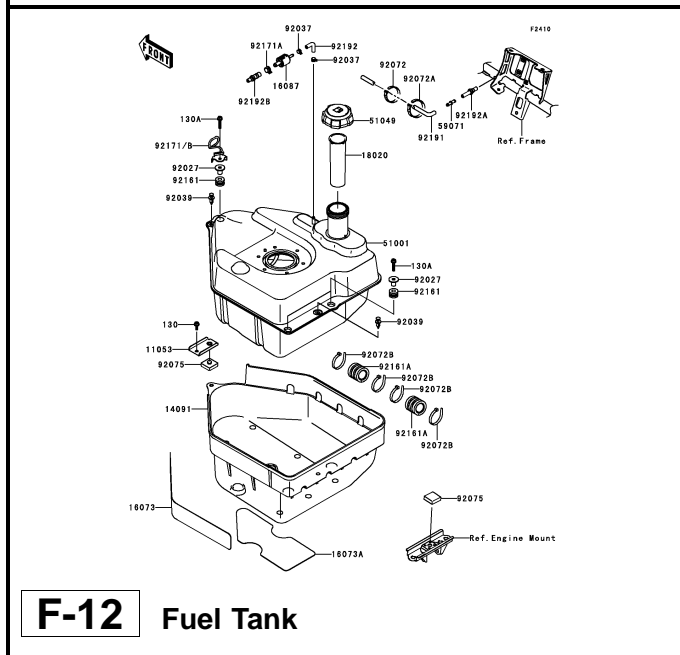
F-9 Front Brake



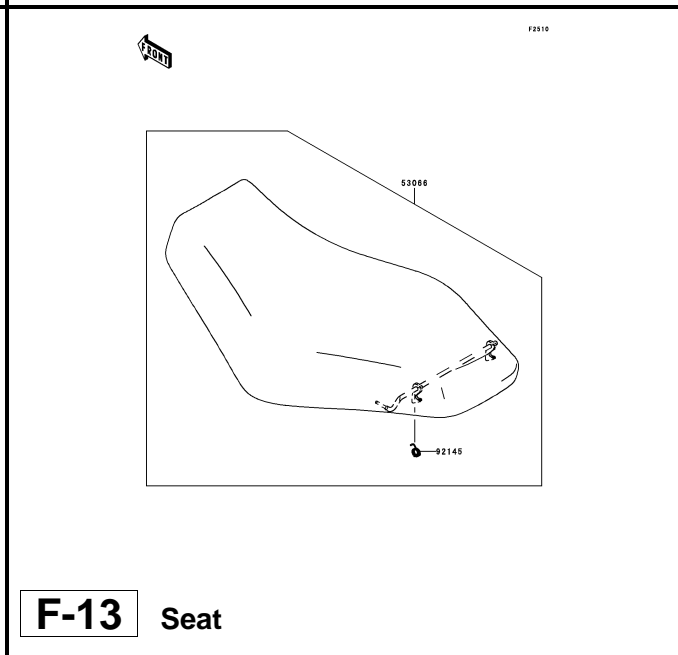
F-10 Handlebar(1/2)



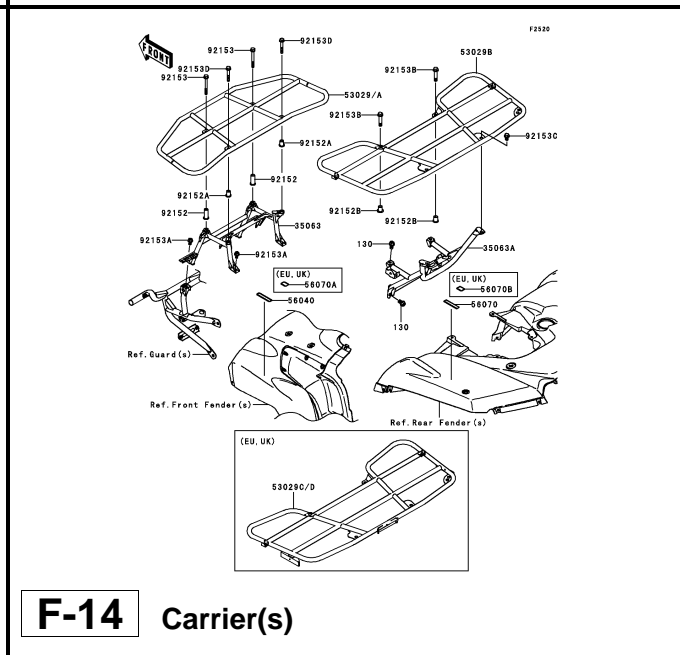
F-11 Handlebar(2/2)



F-12 Fuel Tank



F-13 Seat



F-14 Carrier(s)

This catalog covers:

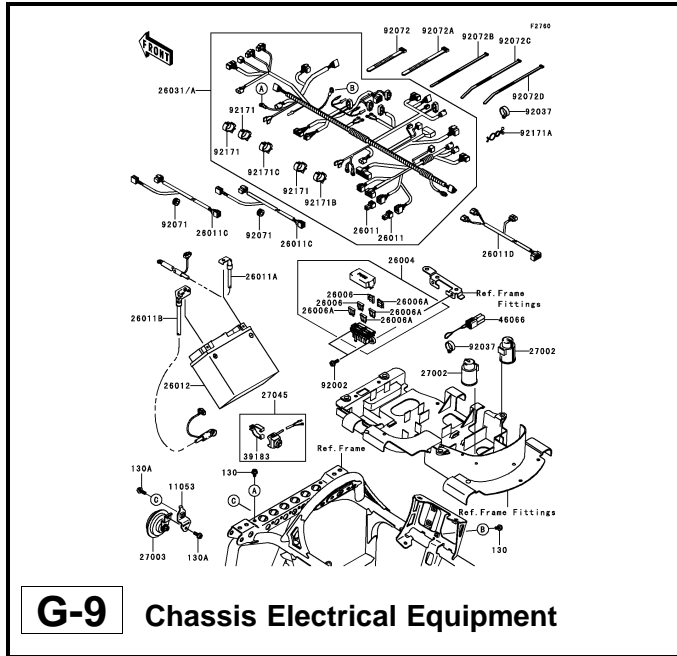
'08~'09 KVF750 D8F/D9F Chassis

GRID NO.

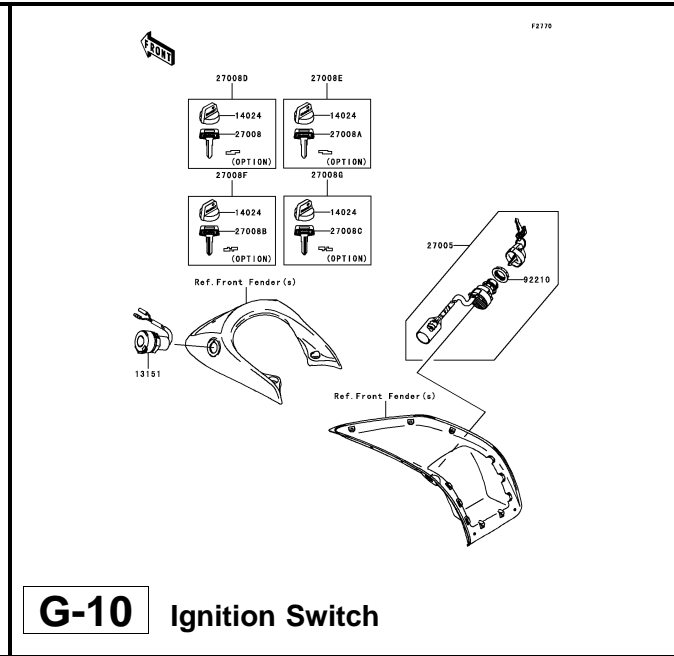
G-2

This grid covers:

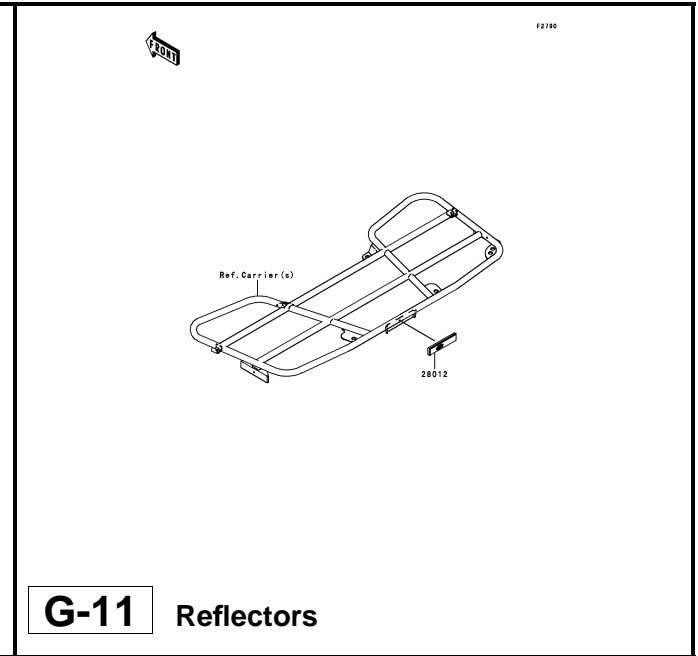
Pictorial Index



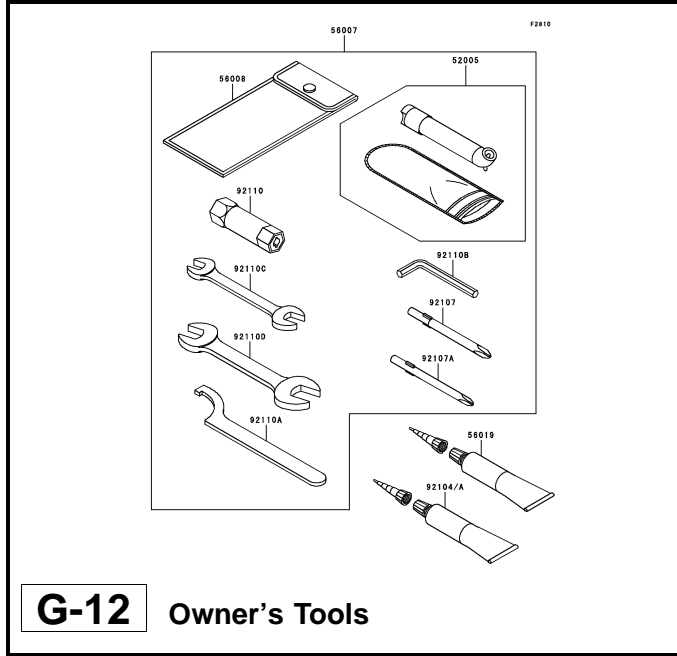
G-9 Chassis Electrical Equipment



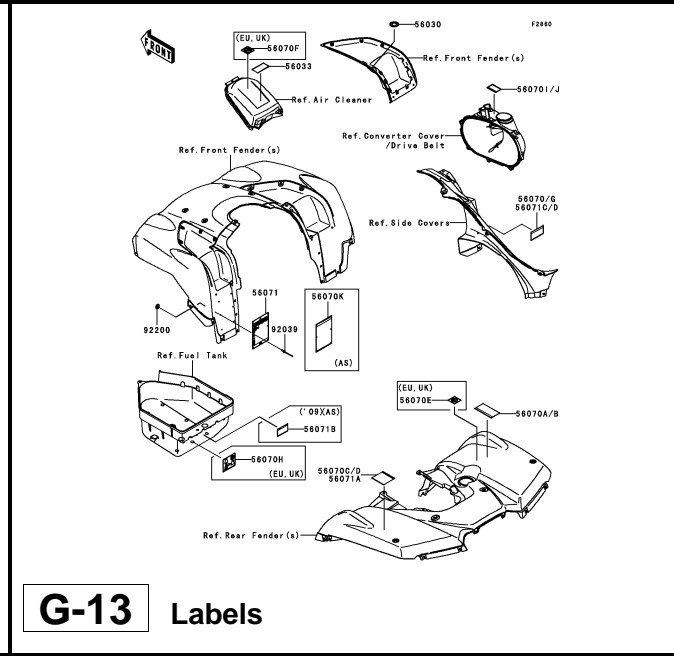
G-10 Ignition Switch



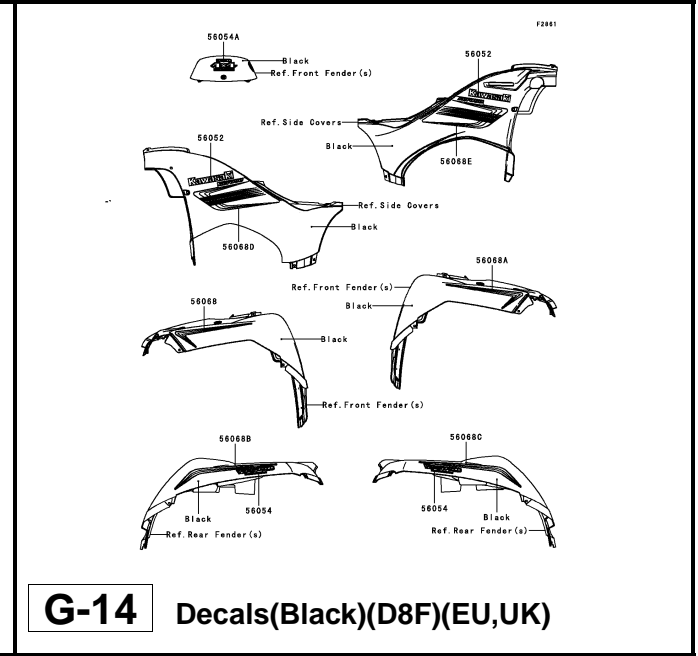
G-11 Reflectors



G-12 Owner's Tools



G-13 Labels



G-14 Decals(Black)(D8F)(EU,UK)

This catalog covers:

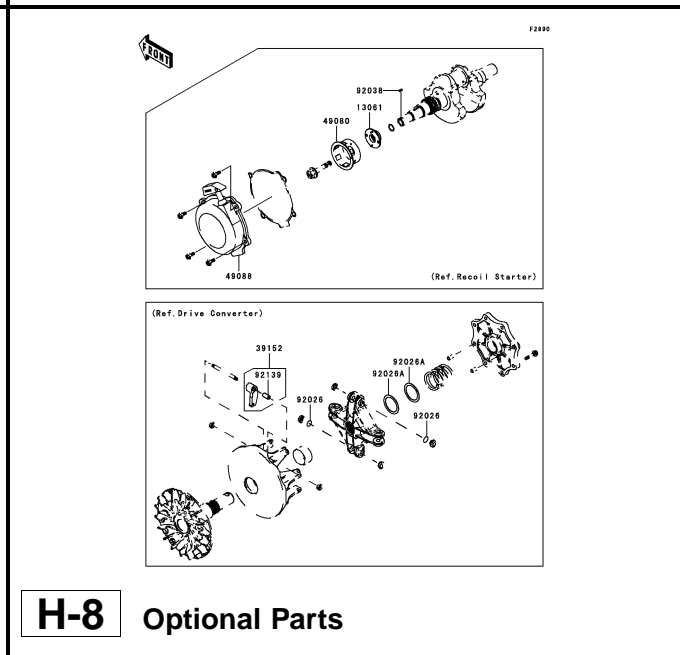
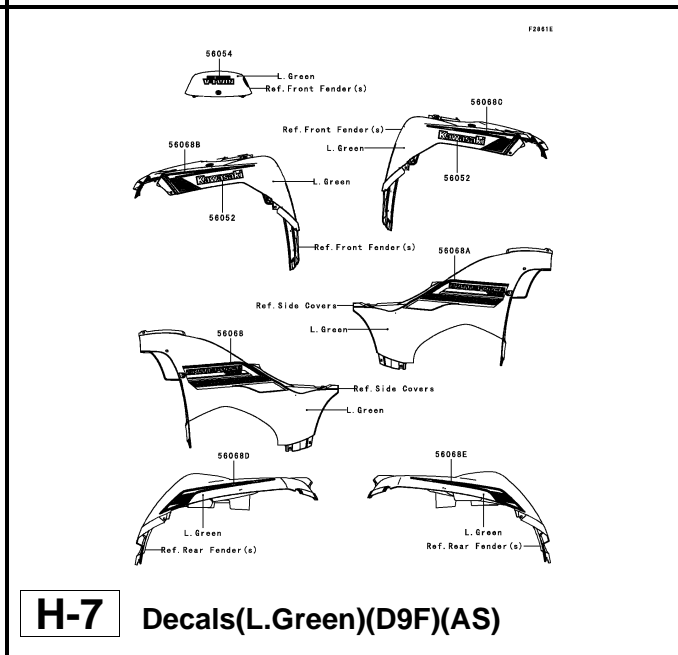
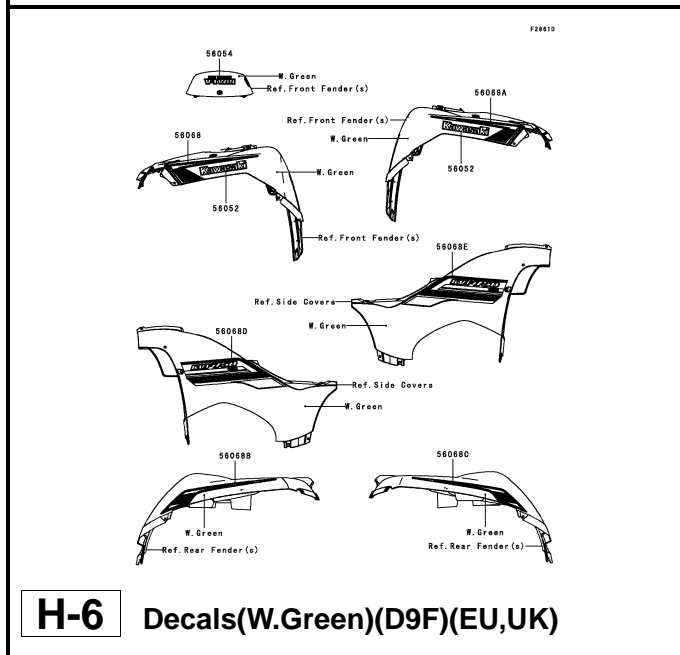
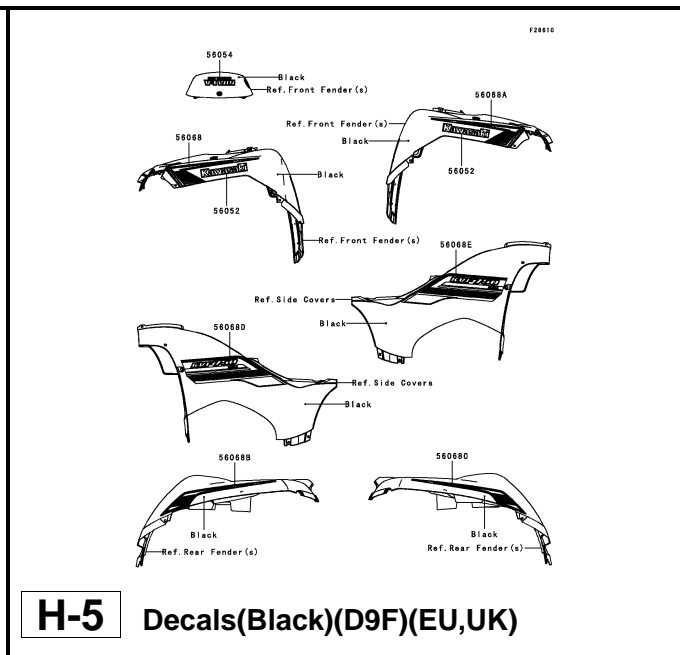
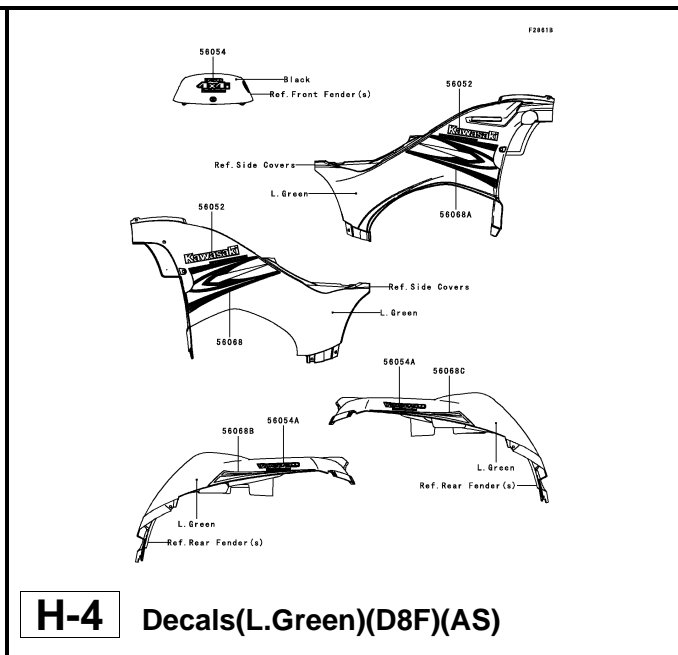
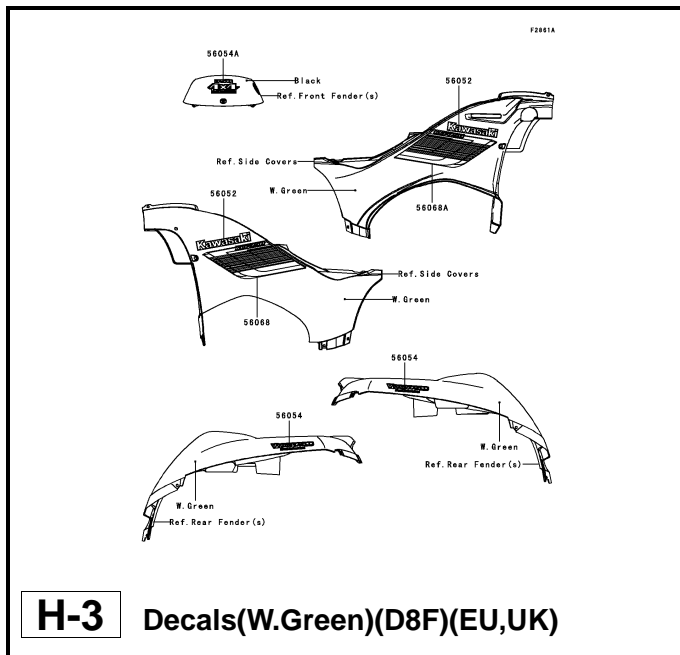
'08~'09 KVF750 D8F/D9F Chassis

GRID NO.

H-1

This grid covers:

Pictorial Index



This catalog covers:

'08~'09 KVF750 D8F/D9F Chassis

GRID NO.

H-2

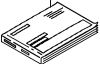
This grid covers:

Pictorial Index

F2920

Owner's Manual
(Local Procurement)

99923/A
99947/A
99972/A
99977/A
99984/A
99992/A



| Ref. No. | Language |
|-----------|----------|
| (99923/A) | German |
| (99947/A) | French |
| (99972/A) | Spanish |
| (99977/A) | English |
| (99984/A) | Dutch |
| (99992/A) | Italian |

H-9 Manual(EU,UK)

This catalog covers:

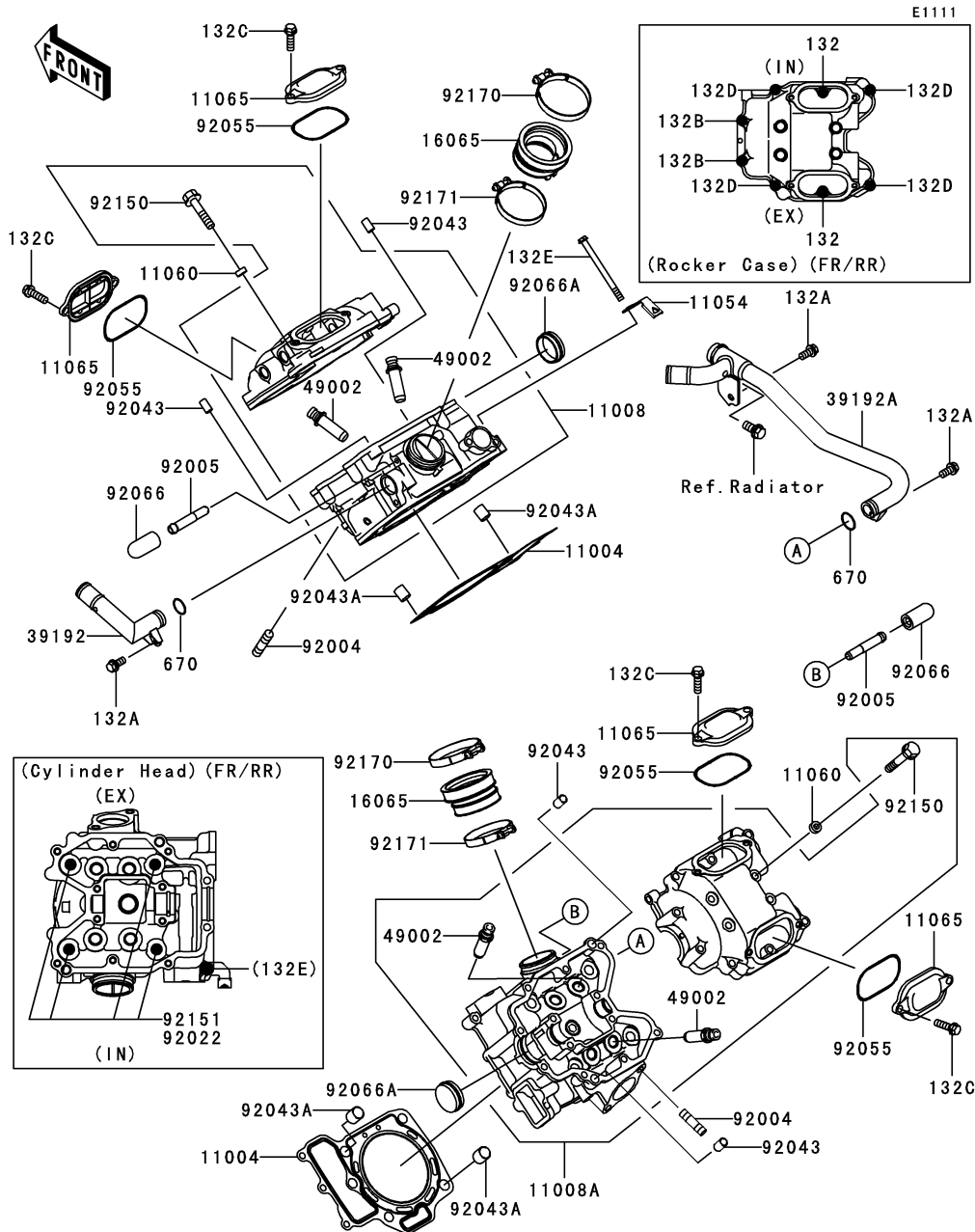
'08~'09 KVF750 D8F/D9F Engine

GRID NO.

B-3

This grid covers:

Cylinder Head



| Ref. No. | Part No. | Description | Quantity-KVF750 | | | |
|----------|------------|--------------------------|-----------------|-----|-----|-----|
| | | | Spec Code | | '08 | '09 |
| | | | D8F | D9F | | |
| 11004 | 11004-0011 | GASKET-HEAD | | | 2 | 2 |
| 11008 | 11008-0087 | HEAD-COMP-CYLINDER,FR | | | 1 | 1 |
| 11008A | 11008-0088 | HEAD-COMP-CYLINDER,RR | | | 1 | 1 |
| 11054 | 11054-1468 | BRACKET | | | 1 | 1 |
| 11060 | 11060-1994 | GASKET,6.2X12X0.3 | | | 8 | 8 |
| 11065 | 11065-1152 | CAP,ROCKER CASE | | | 4 | 4 |
| 16065 | 16065-0046 | HOLDER-CARBURETOR | | | 2 | 2 |
| 39192 | 39192-0033 | PIPE-WATER,FR | | | 1 | 1 |
| 39192A | 39192-0034 | PIPE-WATER,RR | | | 1 | 1 |
| 49002 | 49002-1097 | GUIDE-VALVE | | | AR | AR |
| 92004 | 92004-1217 | STUD,8X22 | | | 4 | 4 |
| 92005 | 92005-1264 | FITTING | | | 2 | 2 |
| 92022 | 92022-1720 | WASHER,11.5X20.5X1.6 | | | 8 | 8 |
| 92043 | 92043-1263 | PIN,6.2X8X14 | | | 4 | 4 |
| 92043A | 92043-4009 | PIN,10.1X12X14 | | | 4 | 4 |
| 92055 | 92055-0112 | RING-O | | | 4 | 4 |
| 92066 | 92066-0095 | PLUG | | | 2 | 2 |
| 92066A | 92066-1289 | PLUG | | | 2 | 2 |
| 92150 | 92150-1302 | BOLT,FLANGED,6X55 | | | 8 | 8 |
| 92151 | 92151-1917 | BOLT,FLANGED,10X150 | | | 8 | 8 |
| 92170 | 92170-1448 | CLAMP | | | 2 | 2 |
| 92171 | 92171-0722 | CLAMP | | | 2 | 2 |
| 132 | 132BA0625 | BOLT-FLANGED-SMALL,6X25 | | | 4 | 4 |
| 132A | 132BD0612 | BOLT-FLANGED-SMALL,6X12 | | | 3 | 3 |
| 132B | 132BD06130 | BOLT-FLANGED-SMALL,6X130 | | | 4 | 4 |
| 132C | 132BD0620 | BOLT-FLANGED-SMALL,6X20 | | | 8 | 8 |
| 132D | 132BD0630 | BOLT-FLANGED-SMALL,6X30 | | | 8 | 8 |
| 132E | 132BD0695 | BOLT-FLANGED-SMALL,6X95 | | | 2 | 2 |
| 670 | 670B2016 | O RING,16MM | | | 2 | 2 |

This catalog covers:

'08~'09 KVF750 D8F/D9F Engine

GRID NO.

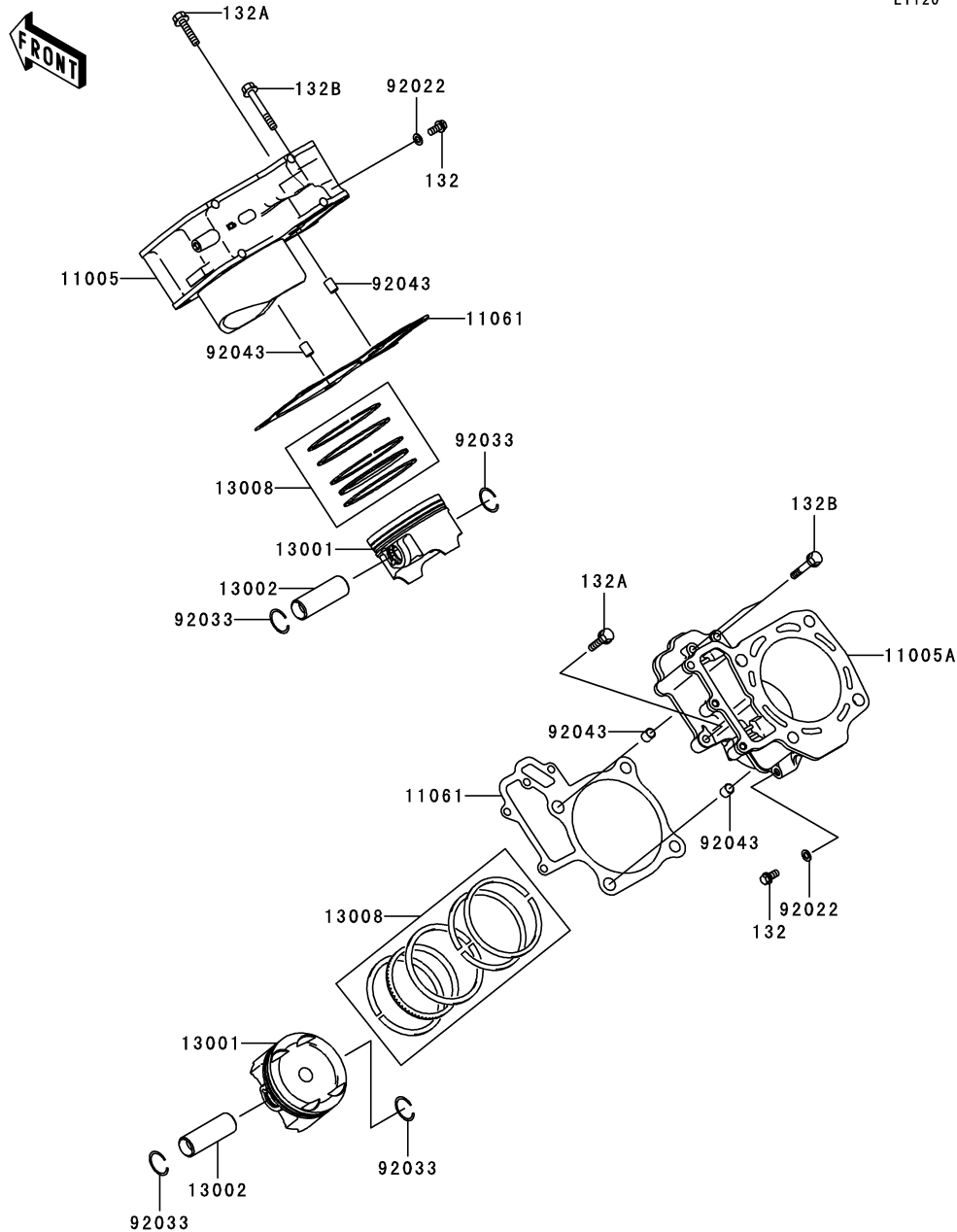
B-4

This grid covers:

Cylinder/Piston(s)

E1120

| Ref. No. | Part No. | Description | Spec Code | Quantity-KVF750 | | | |
|----------|------------|-------------------------|-----------|-----------------|-----|--|--|
| | | | | '08 | '09 | | |
| | | | | D8F | D9F | | |
| 11005 | 11005-0022 | CYLINDER-ENGINE,FR | 1 | 1 | | | |
| 11005A | 11005-0023 | CYLINDER-ENGINE,RR | 1 | 1 | | | |
| 11061 | 11061-0063 | GASKET,CYLINDER BASE | 2 | 2 | | | |
| 13001 | 13001-0021 | PISTON-ENGINE | 2 | 2 | | | |
| 13002 | 13002-1060 | PIN-PISTON | 2 | 2 | | | |
| 13008 | 13008-0008 | RING-SET-PISTON | 2 | 2 | | | |
| 92022 | 92022-304 | WASHER,6.2X11X1 | 2 | 2 | | | |
| 92033 | 92033-1207 | RING-SNAP | 4 | 4 | | | |
| 92043 | 92043-4009 | PIN,10.1X12X14 | 4 | 4 | | | |
| 132 | 132BD0612 | BOLT-FLANGED-SMALL,6X12 | 2 | 2 | | | |
| 132A | 132BD0630 | BOLT-FLANGED-SMALL,6X30 | 2 | 2 | | | |
| 132B | 132BD0640 | BOLT-FLANGED-SMALL,6X40 | 4 | 4 | | | |



This catalog covers:

'08~'09 KVF750 D8F/D9F Engine

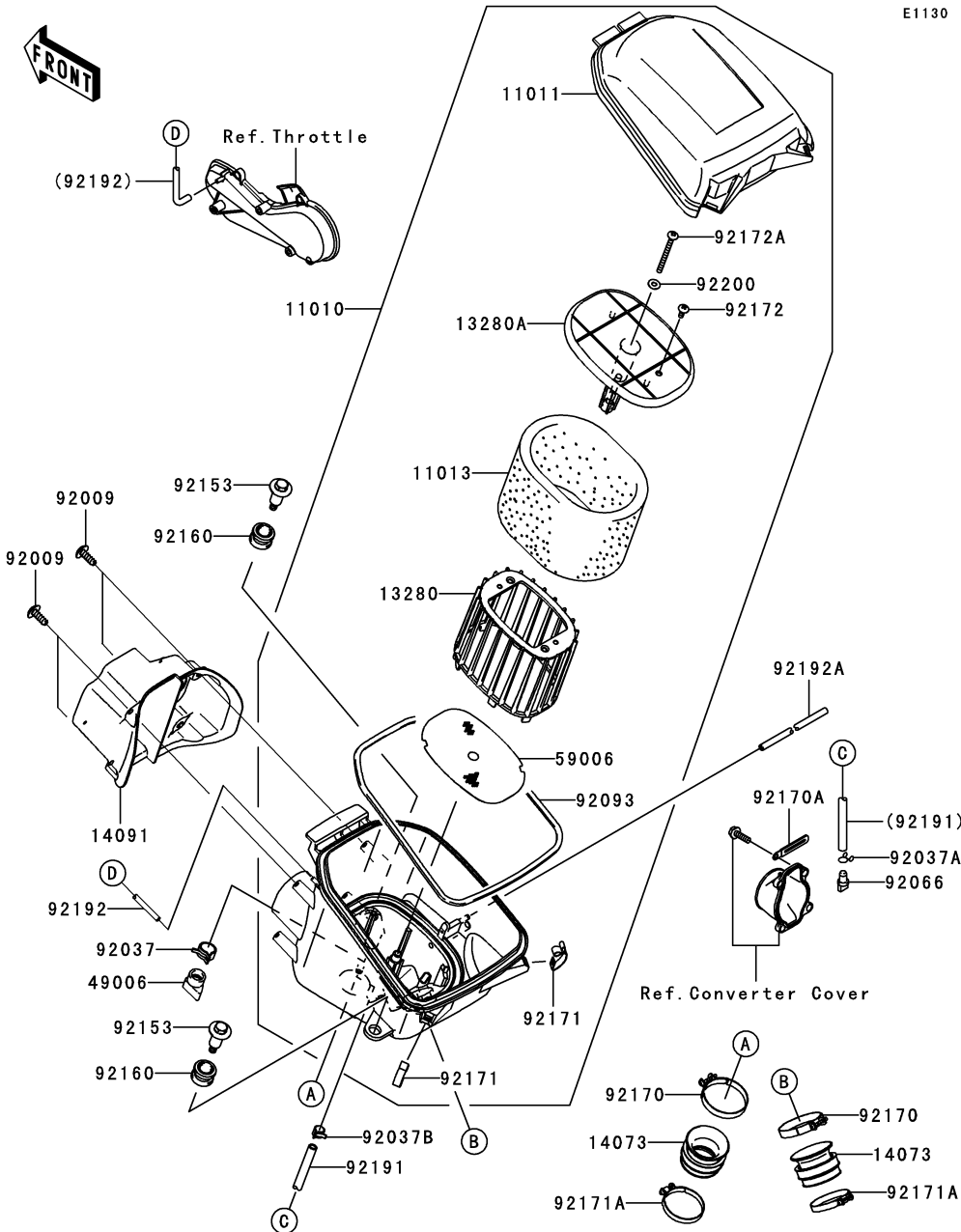
GRID NO.

B-5

This grid covers:

Air Cleaner

E1130



| Ref. No. | Part No. | Description | Quantity-KVF750 | | | |
|----------|---------------|-----------------------------|-----------------|-----|-----|-----|
| | | | Spec Code | | '08 | '09 |
| | | | D8F | D9F | | |
| 11010 | 11010-0152-6Z | FILTER-ASSY-AIR,F.BLACK | 1 | 1 | | |
| 11011 | 11011-0017-6Z | CASE-AIR FILTER,UPP,F.BLACK | 1 | 1 | | |
| 11013 | 11013-0021 | ELEMENT-AIR FILTER | 1 | 1 | | |
| 13280 | 13280-0232 | HOLDER | 1 | 1 | | |
| 13280A | 13280-0233 | HOLDER | 1 | 1 | | |
| 14073 | 14073-0160 | DUCT | 2 | 2 | | |
| 14091 | 14091-0164 | COVER,FR | 1 | 1 | | |
| 49006 | 49006-1292 | BOOT | 1 | 1 | | |
| 59006 | 59006-0015 | ARRESTER-FLAME | 1 | 1 | | |
| 92009 | 92009-1113 | SCREW,TAPPING | 4 | 4 | | |
| 92037 | 92037-1460 | CLAMP,HOSE CLIP | 1 | 1 | | |
| 92037A | 92037-147 | CLAMP,TUBE | 1 | 1 | | |
| 92037B | 92037-1505 | CLAMP,TUBE | 1 | 1 | | |
| 92066 | 92066-1211 | PLUG,DRAIN | 1 | 1 | | |
| 92093 | 92093-0083 | SEAL | 1 | 1 | | |
| 92153 | 92153-1052 | BOLT,FLANGED,6X28.7 | 2 | 2 | | |
| 92160 | 92160-1594 | DAMPER | 2 | 2 | | |
| 92170 | 92170-1448 | CLAMP | 2 | 2 | | |
| 92170A | 92170-1514 | CLAMP | 1 | 1 | | |
| 92171 | 92171-0225 | CLAMP | 2 | 2 | | |
| 92171A | 92171-0722 | CLAMP | 2 | 2 | | |
| 92172 | 92172-0297 | SCREW | 1 | 1 | | |
| 92172A | 92172-0300 | SCREW | 1 | 1 | | |
| 92191 | 92191-1531 | TUBE,7X11X470 | 1 | 1 | | |
| 92192 | 92192-0448 | TUBE | 1 | 1 | | |
| 92192A | 92192-0449 | TUBE | 1 | 1 | | |
| 92200 | 92200-0364 | WASHER | 1 | 1 | | |

This catalog covers:

'08~'09 KVF750 D8F/D9F Engine

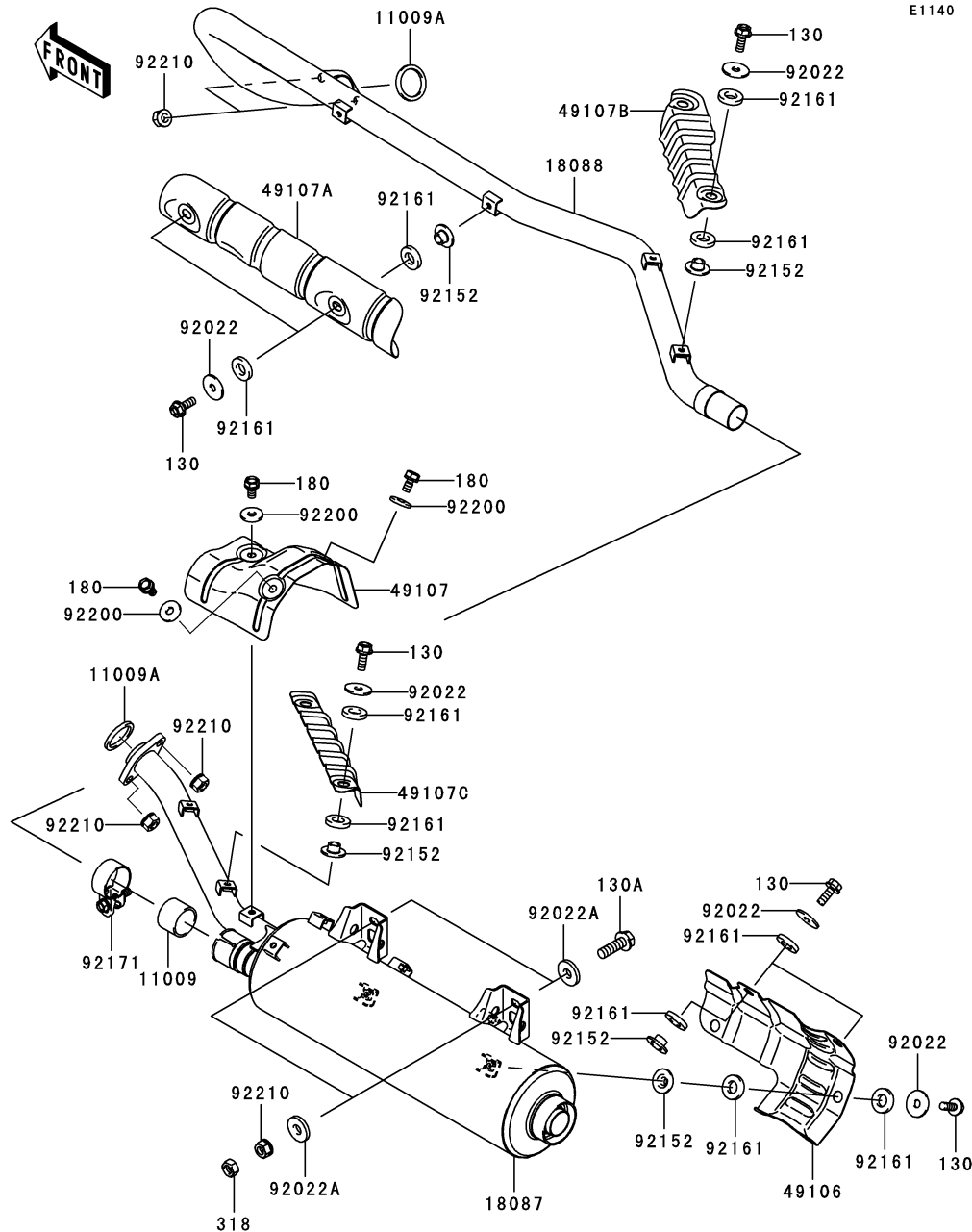
GRID NO.

B-6

This grid covers:

Muffler(s)

E1140



| Ref. No. | Part No. | Description | Spec Code | Quantity-KVF750 | |
|----------|------------|------------------------------|-----------|-----------------|-----|
| | | | | '08 | '09 |
| | | | | D8F | D9F |
| 11009 | 11009-1865 | GASKET,MUFFLER CONNECTING | | 1 | 1 |
| 11009A | 11009-1894 | GASKET,EXHAUST HOLDER | | 2 | 2 |
| 18087 | 18087-0167 | MUFFLER | | 1 | 1 |
| 18088 | 18088-0379 | PIPE-EXHAUST | | 1 | 1 |
| 49106 | 49106-0048 | COVER-MUFFLER | | 1 | 1 |
| 49107 | 49107-0050 | COVER-EXHAUST PIPE,RR | | 1 | 1 |
| 49107A | 49107-0065 | COVER-EXHAUST PIPE,FR | | 1 | 1 |
| 49107B | 49107-0066 | COVER-EXHAUST PIPE,MIDDLE LH | | 1 | 1 |
| 49107C | 49107-0067 | COVER-EXHAUST PIPE,MIDDLE RH | | 1 | 1 |
| 92022 | 92022-237 | WASHER,6.5X22X1.6 | | 10 | 10 |
| 92022A | 92022-276 | WASHER,8.5X22X3.2 | | 4 | 4 |
| 92152 | 92152-0423 | COLLAR | | 10 | 10 |
| 92161 | 92161-0319 | DAMPER | | 20 | 20 |
| 92171 | 92171-1330 | CLAMP | | 1 | 1 |
| 92200 | 92200-2035 | WASHER,6.5X18X2.0 | | 3 | 3 |
| 92210 | 92210-1242 | NUT,8MM | | 6 | 6 |
| 130 | 130BD0616 | BOLT-FLANGED,6X16 | | 10 | 10 |
| 130A | 130CD0825 | BOLT-FLANGED,8X25 | | 2 | 2 |
| 180 | 180BD0612 | BOLT-UPSET-WS,6X12 | | 3 | 3 |
| 318 | 318BA0800 | NUT-HEX-SMALL,8MM | | 2 | 2 |

This catalog covers:

'08~'09 KVF750 D8F/D9F Engine

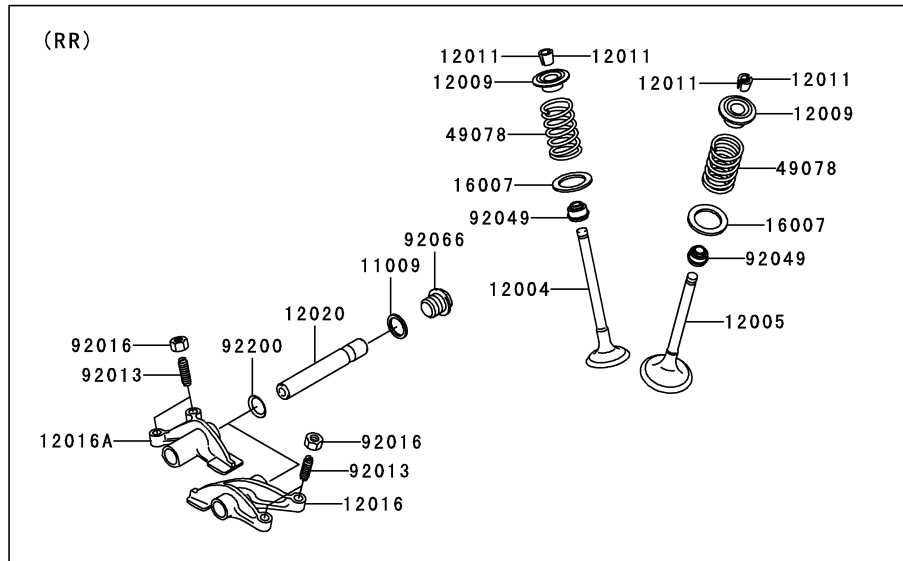
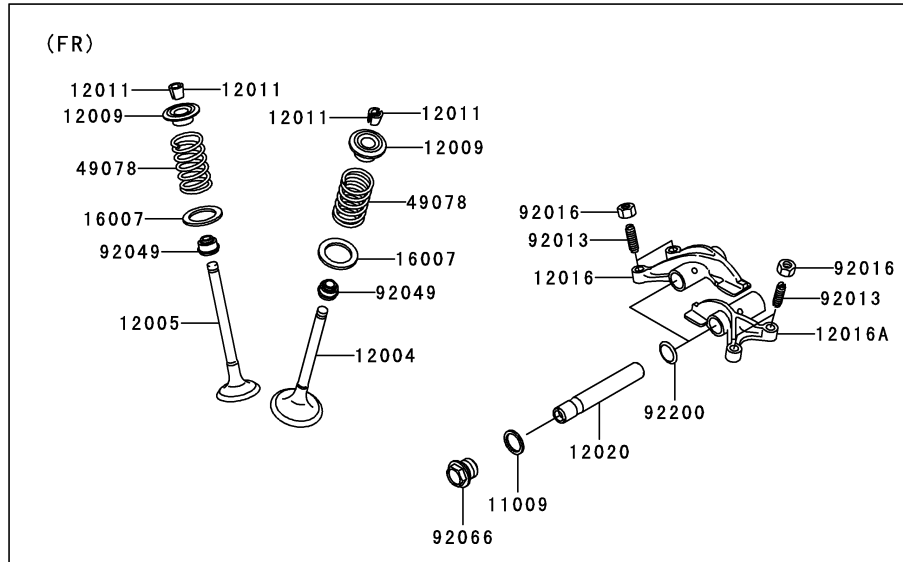
GRID NO.

B-7

This grid covers:

Valve(s)

E1210



| Ref. No. | Part No. | Description | Quantity-KVF750 | | | |
|----------|------------|---------------------------|-----------------|-----|--|--|
| | | | '08 | '09 | | |
| | | | D8F | D9F | | |
| 11009 | 11009-1430 | GASKET,14X18X1.5 | 4 | 4 | | |
| 12004 | 12004-0007 | VALVE-INTAKE | 4 | 4 | | |
| 12005 | 12005-0047 | VALVE-EXHAUST | 4 | 4 | | |
| 12009 | 12009-1056 | RETAINER-VALVE SPRING | 8 | 8 | | |
| 12011 | 12011-1051 | COLLET | 16 | 16 | | |
| 12016 | 12016-1128 | ARM-ROCKER,EXHAUST | 2 | 2 | | |
| 12016A | 12016-1129 | ARM-ROCKER,INTAKE | 2 | 2 | | |
| 12020 | 12020-0004 | SHAFT-ROCKER | 4 | 4 | | |
| 16007 | 16007-1178 | SEAT-SPRING,17.5X23.8X0.5 | 8 | 8 | | |
| 49078 | 49078-0014 | SPRING-ENGINE VALVE | 8 | 8 | | |
| 92013 | 92013-009 | SCREW,6MM | 8 | 8 | | |
| 92016 | 92016-061 | NUT,6MM | 8 | 8 | | |
| 92049 | 92049-1218 | SEAL-OIL,VSB58.558 | 8 | 8 | | |
| 92066 | 92066-2196 | PLUG,DRAIN | 4 | 4 | | |
| 92200 | 92200-1508 | WASHER,13X17X0.3 | 4 | 4 | | |

This catalog covers:

'08~'09 KVF750 D8F/D9F Engine

GRID NO.

B-8

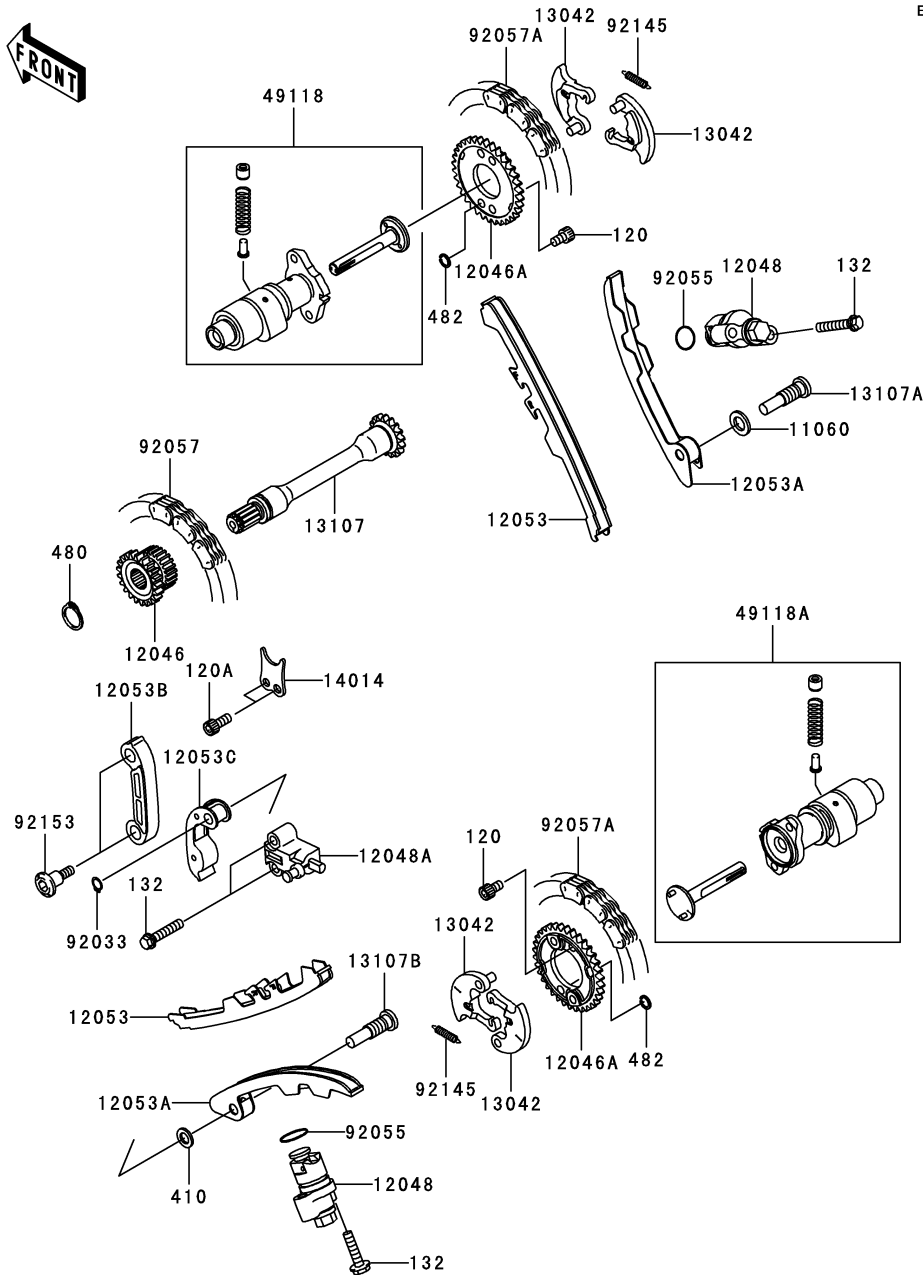
This grid covers:

Camshaft(s)/Tensioner

E1230

| Ref. No. | Part No. | Description | Spec Code | Quantity-KVF750 | | | |
|----------|----------|-------------|-----------|-----------------|-----|--|--|
| | | | | '08 | '09 | | |
| | | | | D8F | D9F | | |

| | | | | | | | |
|--------|------------|------------------------------|--|---|---|--|--|
| 11060 | 11060-1966 | GASKET | | 1 | 1 | | |
| 12046 | 12046-0021 | SPROCKET,21T&17T | | 1 | 1 | | |
| 12046A | 12046-1203 | SPROCKET,CAMSHAFT,34T | | 2 | 2 | | |
| 12048 | 12048-1176 | TENSIONER-ASSY,CAM | | 2 | 2 | | |
| 12048A | 12048-1177 | TENSIONER-ASSY,SECONDARY | | 1 | 1 | | |
| 12053 | 12053-1441 | GUIDE-CHAIN,CAMSHAFT,TENSION | | 2 | 2 | | |
| 12053A | 12053-1442 | GUIDE-CHAIN,CAMSHAFT,SLACK | | 2 | 2 | | |
| 12053B | 12053-1443 | GUIDE-CHAIN,TENSION | | 1 | 1 | | |
| 12053C | 12053-1444 | GUIDE-CHAIN,SLACK | | 1 | 1 | | |
| 13042 | 13042-1141 | WEIGHT,DECOMP | | 4 | 4 | | |
| 13107 | 13107-0029 | SHAFT | | 1 | 1 | | |
| 13107A | 13107-1443 | SHAFT,CHAIN GUIDE,FR | | 1 | 1 | | |
| 13107B | 13107-1444 | SHAFT,CHAIN GUIDE,RR | | 1 | 1 | | |
| 14014 | 14014-1148 | PLATE-POSITION,DRIVE | | 1 | 1 | | |
| 49118 | 49118-0001 | CAMSHAFT-COMP,FR | | 1 | 1 | | |
| 49118A | 49118-0002 | CAMSHAFT-COMP,RR | | 1 | 1 | | |
| 92033 | 92033-1039 | RING-SNAP,8MM | | 1 | 1 | | |
| 92055 | 92055-086 | RING-O,18.8X1.9 | | 2 | 2 | | |
| 92057 | 92057-0073 | CHAIN,DID SCR-0412 SDH | | 1 | 1 | | |
| 92057A | 92057-0074 | CHAIN,DID SCR-0409 SDH | | 2 | 2 | | |
| 92145 | 92145-1303 | SPRING,DECOMP | | 2 | 2 | | |
| 92153 | 92153-1200 | BOLT,SOCKET,6X24.5 | | 2 | 2 | | |
| 120 | 120CA0610 | BOLT-SOCKET,6X10 | | 4 | 4 | | |
| 120A | 120CB0614 | BOLT-SOCKET,6X14 | | 2 | 2 | | |
| 132 | 132BD0630 | BOLT-FLANGED-SMALL,6X30 | | 6 | 6 | | |
| 410 | 410AA0800 | WASHER-PLAIN-SMALL,8MM | | 1 | 1 | | |
| 480 | 480J1400 | CIRCLIP-TYPE-C,14MM | | 1 | 1 | | |
| 482 | 482J5000 | CIRCLIP-TYPE-E | | 4 | 4 | | |



This catalog covers:

'08~'09 KVF750 D8F/D9F Engine

GRID NO.

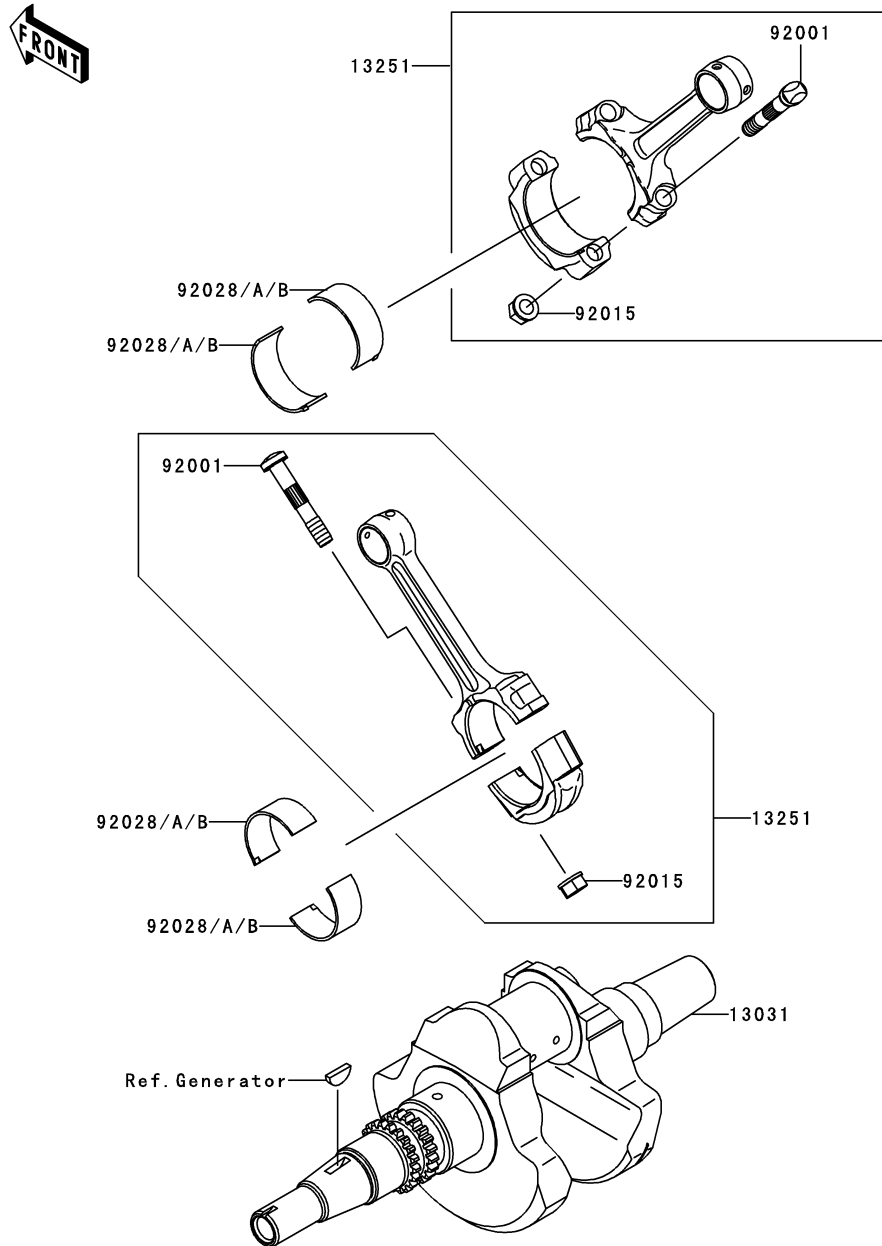
B-9

This grid covers:

Crankshaft

E1321

| Ref. No. | Part No. | Description | Spec Code | Quantity-KVF750 | | | |
|----------|------------|-------------------------------|-----------|-----------------|-----|--|--|
| | | | | '08 | '09 | | |
| | | | | D8F | D9F | | |
| 13031 | 13031-0079 | CRANKSHAFT-COMP | 1 | 1 | | | |
| 13251 | 13251-1143 | ROD-ASSY-CONNECTING | 2 | 2 | | | |
| 92001 | 92001-1980 | BOLT,CONNECTING ROD | 4 | 4 | | | |
| 92015 | 92015-1311 | NUT,FLANGED,8MM | 4 | 4 | | | |
| 92028 | 92028-1961 | BUSHING,CONNECTING ROD,GREEN | AR | AR | | | |
| 92028A | 92028-1962 | BUSHING,CONNECTING ROD,YELLOW | 4 | 4 | | | |
| 92028B | 92028-1963 | BUSHING,CONNECTING ROD,BROWN | AR | AR | | | |



This catalog covers:

'08~'09 KVF750 D8F/D9F Engine

GRID NO.

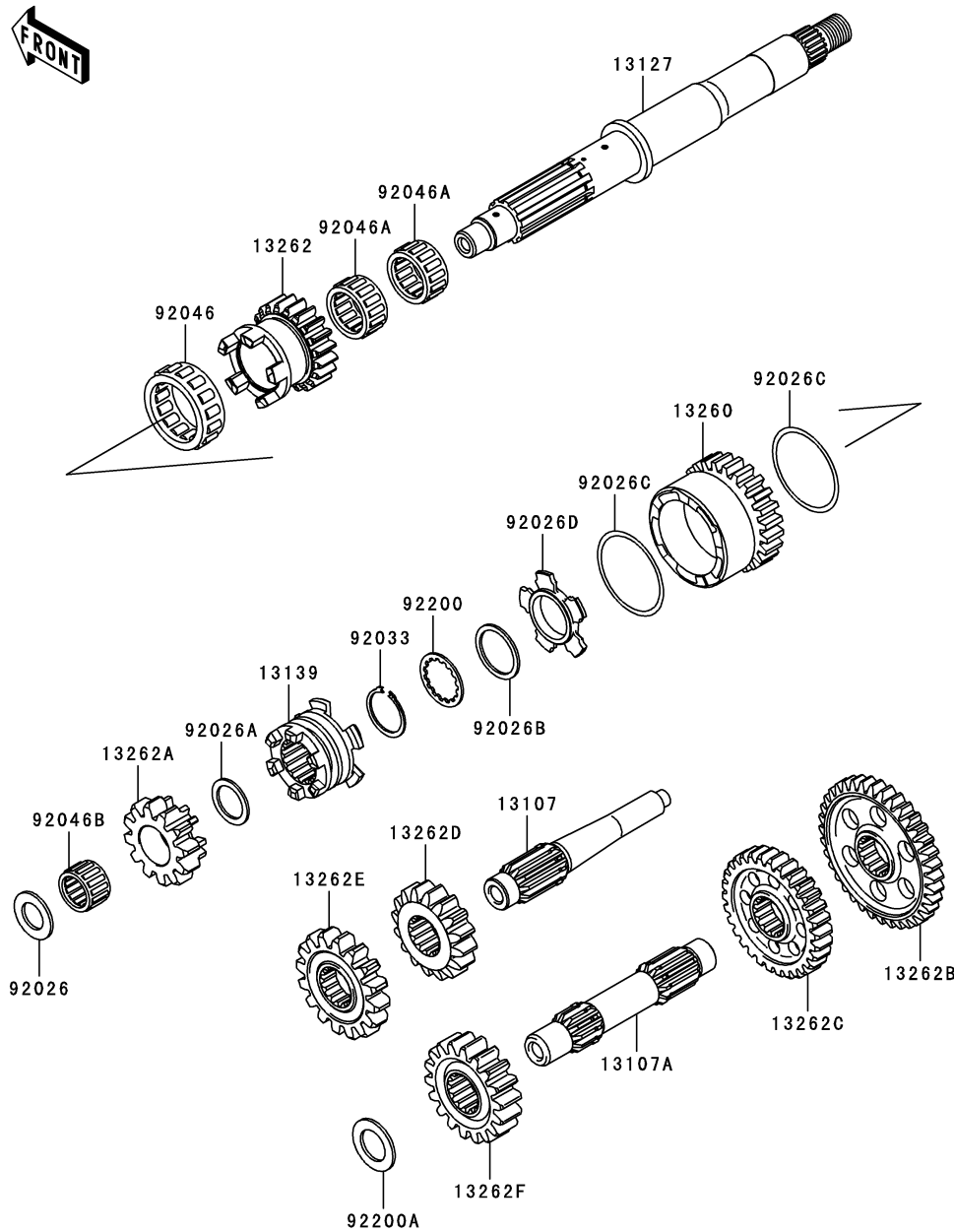
B-10

This grid covers:

Transmission

E1361

| Ref. No. | Part No. | Description | Spec Code | Quantity-KVF750 | | | |
|----------|------------|-----------------------------|-----------|-----------------|-----|--|--|
| | | | | '08 | '09 | | |
| | | | | D8F | D9F | | |
| 13107 | 13107-0158 | SHAFT,REVERSE,IDLE | | 1 | 1 | | |
| 13107A | 13107-0177 | SHAFT,COUNTER | | 1 | 1 | | |
| 13127 | 13127-0053 | SHAFT-TRANSMISSION INPUT | | 1 | 1 | | |
| 13139 | 13139-0003 | SHIFTER | | 1 | 1 | | |
| 13260 | 13260-1867 | GEAR,INPUT HIGH,26T | | 1 | 1 | | |
| 13262 | 13262-0234 | GEAR,INPUT LOW,20T | | 1 | 1 | | |
| 13262A | 13262-0235 | GEAR,INPUT REVERSE,12T | | 1 | 1 | | |
| 13262B | 13262-0313 | GEAR,DRIVEN LOW,36T | | 1 | 1 | | |
| 13262C | 13262-0314 | GEAR,DRIVEN HI,30T | | 1 | 1 | | |
| 13262D | 13262-0433 | GEAR,OUTPUT REVERSE,16T | | 1 | 1 | | |
| 13262E | 13262-0434 | GEAR,DRIVEN REVERSE,16T | | 1 | 1 | | |
| 13262F | 13262-0491 | GEAR,OUTPUT DRIVE,18T | | 1 | 1 | | |
| 92026 | 92026-1415 | SPACER,17.3X30X2.0 | | 1 | 1 | | |
| 92026A | 92026-1568 | SPACER,21.2X29X1.6 | | 1 | 1 | | |
| 92026B | 92026-1587 | SPACER,28.2X34.5X1.6 | | 1 | 1 | | |
| 92026C | 92026-1599 | SPACER,48.2X54.3X1.0 | | 2 | 2 | | |
| 92026D | 92026-1600 | SPACER,HI&LOW | | 1 | 1 | | |
| 92033 | 92033-1037 | RING-SNAP,25.9X30.6X1.2 | | 1 | 1 | | |
| 92046 | 92046-1276 | BEARING-NEEDLE,HIGH GEAR | | 1 | 1 | | |
| 92046A | 92046-1278 | BEARING-NEEDLE,FWF-283317 | | 2 | 2 | | |
| 92046B | 92046-1279 | BEARING-NEEDLE,REVERSE GEAR | | 1 | 1 | | |
| 92200 | 92200-1240 | WASHER,28.5X34.0X1.5 | | 1 | 1 | | |
| 92200A | 92200-1351 | WASHER,20.3X33X2.0 | | 1 | 1 | | |



This catalog covers:

'08~'09 KVF750 D8F/D9F Engine

GRID NO.

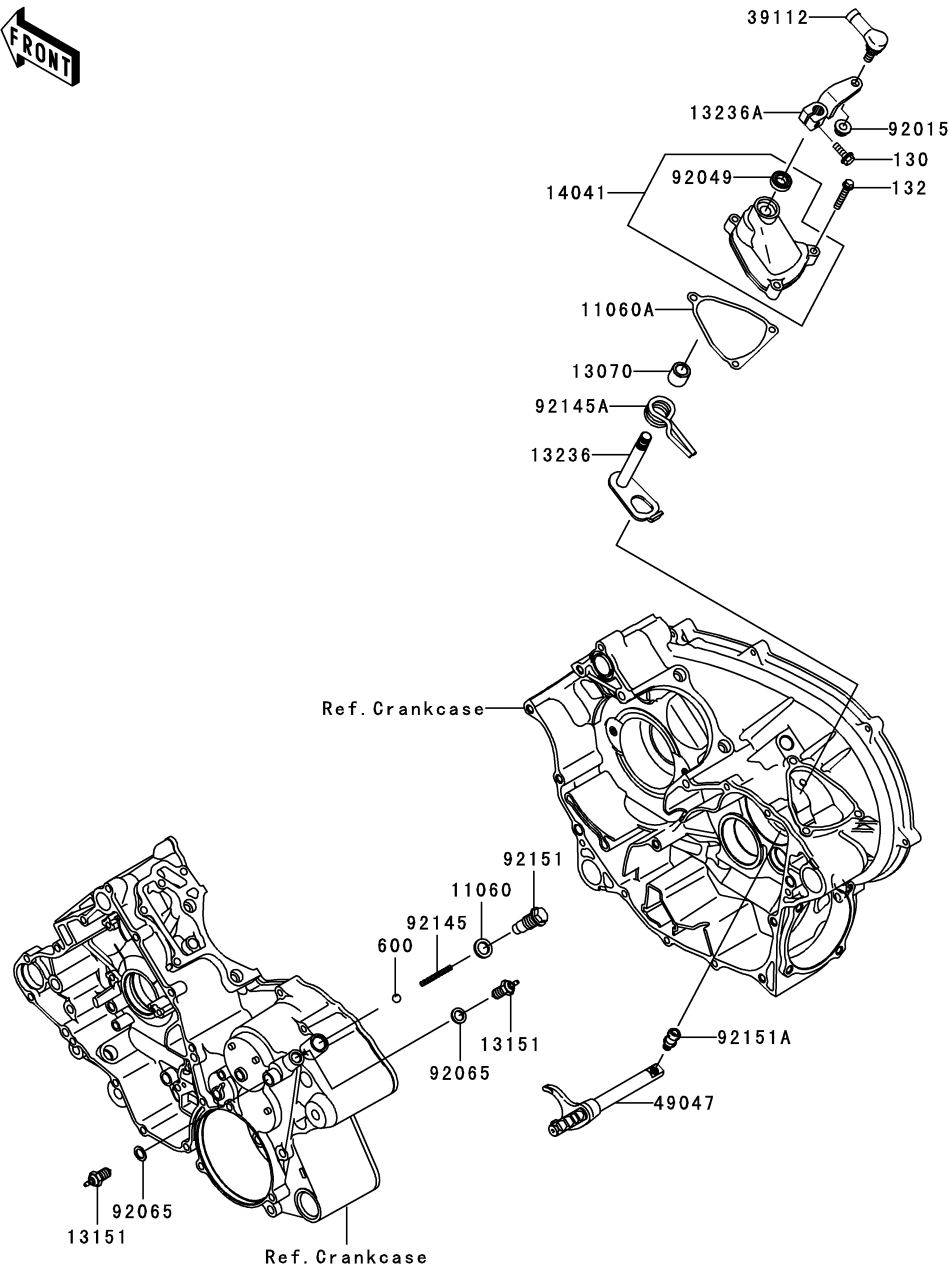
B-11

This grid covers:

Gear Change Mechanism



E1370



| Ref. No. | Part No. | Description | Spec Code | Quantity-KVF750 | | | |
|----------|------------|---------------------------|-----------|-----------------|-----|--|--|
| | | | | '08 | '09 | | |
| | | | | D8F | D9F | | |
| 11060 | 11060-1287 | GASKET,14X20X2 | 1 | 1 | | | |
| 11060A | 11060-1956 | GASKET,CHANGE LEVER COVER | 1 | 1 | | | |
| 13070 | 13070-1352 | GUIDE | 1 | 1 | | | |
| 13151 | 13151-1080 | SWITCH-COMP,NEUTRAL | 2 | 2 | | | |
| 13236 | 13236-0051 | LEVER-COMP,CHANGE | 1 | 1 | | | |
| 13236A | 13236-1343 | LEVER-COMP,CHANGE LEVER | 1 | 1 | | | |
| 14041 | 14041-1136 | COVER-COMP,CHANGE LEVER | 1 | 1 | | | |
| 39112 | 39112-1080 | RODEND-TIE,CHANGE LEVER | 1 | 1 | | | |
| 49047 | 49047-1104 | ROD-SHIFT | 1 | 1 | | | |
| 92015 | 92015-1432 | NUT,8MM | 1 | 1 | | | |
| 92049 | 92049-1271 | SEAL-OIL,TB12205.5 | 1 | 1 | | | |
| 92065 | 92065-058 | GASKET,10.5X16X1 | 2 | 2 | | | |
| 92145 | 92145-1297 | SPRING,CHANGE POSITION | 1 | 1 | | | |
| 92145A | 92145-1299 | SPRING,CHANGE LEVER | 1 | 1 | | | |
| 92151 | 92151-1687 | BOLT,CHANGE POSITION | 1 | 1 | | | |
| 92151A | 92151-1699 | BOLT,SHIFT ROD | 1 | 1 | | | |
| 130 | 130CD0620 | BOLT-FLANGED,6X20 | 1 | 1 | | | |
| 132 | 132BD0630 | BOLT-FLANGED-SMALL,6X30 | 3 | 3 | | | |
| 600 | 600A1000 | BALL-STEEL,5/16" | 1 | 1 | | | |

This catalog covers:

'08~'09 KVF750 D8F/D9F Engine

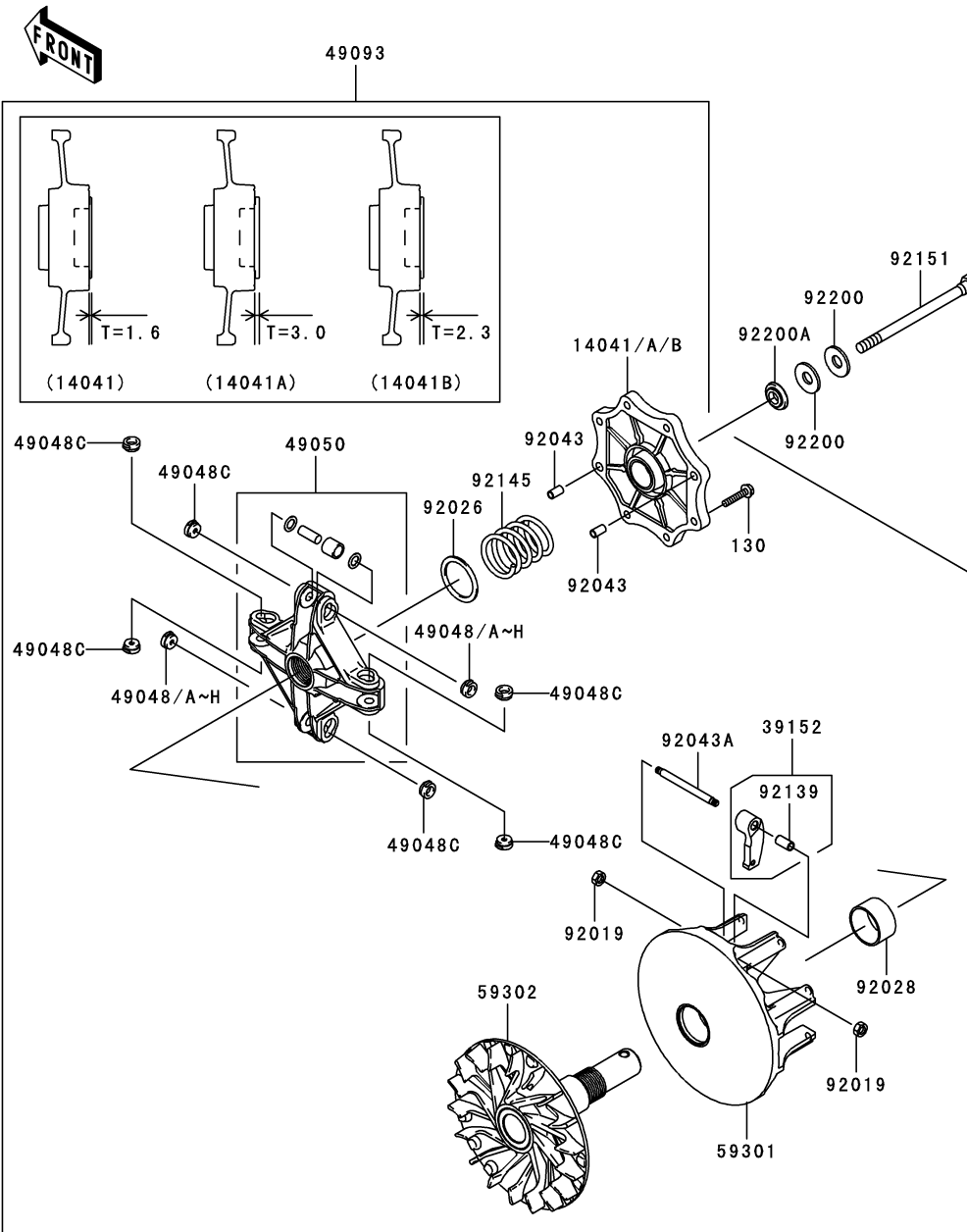
GRID NO.

B-12

This grid covers:

Drive Converter

E1391



| Ref. No. | Part No. | Description | Spec Code | Quantity-KVF750 | | | |
|----------|------------|----------------------|-----------|-----------------|-----|--|--|
| | | | | '08 | '09 | | |
| | | | | D8F | D9F | | |
| 14041 | 14041-1159 | COVER-COMP,RED | AR | AR | | | |
| 14041A | 14041-1160 | COVER-COMP,BLUE | AR | AR | | | |
| 14041B | 14041-1161 | COVER-COMP,STD | 1 | 1 | | | |
| 39152 | 39152-0019 | WEIGHT-RAMP | 4 | 4 | | | |
| 49048 | 49048-1087 | SHOE,T=7.2 | AR | AR | | | |
| 49048A | 49048-1088 | SHOE,T=7.3 | AR | AR | | | |
| 49048B | 49048-1089 | SHOE,T=7.4 | AR | AR | | | |
| 49048C | 49048-1090 | SHOE,T=7.5 | 8 | 8 | | | |
| 49048D | 49048-1091 | SHOE,T=7.6 | AR | AR | | | |
| 49048E | 49048-1092 | SHOE,T=7.7 | AR | AR | | | |
| 49048F | 49048-1093 | SHOE,T=7.8 | AR | AR | | | |
| 49048G | 49048-1094 | SHOE,T=7.9 | AR | AR | | | |
| 49048H | 49048-1095 | SHOE,T=8.0 | AR | AR | | | |
| 49050 | 49050-0010 | SPIDER | 1 | 1 | | | |
| 49093 | 49093-0022 | CONVERTER-ASSY-DRIVE | 1 | 1 | | | |
| 59301 | 59301-0007 | SHEAVE-MOVABLE | 1 | 1 | | | |
| 59302 | 59302-0003 | SHEAVE-COMP | 1 | 1 | | | |
| 92019 | 92019-008 | NUT,LOCK,6MM | 8 | 8 | | | |
| 92026 | 92026-1603 | SPACER,39X49.5X1.0 | 1 | 1 | | | |
| 92028 | 92028-1975 | BUSHING | 1 | 1 | | | |
| 92043 | 92043-1263 | PIN,6.2X8X14 | 2 | 2 | | | |
| 92043A | 92043-1688 | PIN | 4 | 4 | | | |
| 92139 | 92139-0215 | BUSHING | 4 | 4 | | | |
| 92145 | 92145-0557 | SPRING | 1 | 1 | | | |
| 92151 | 92151-1393 | BOLT,12X165 | 1 | 1 | | | |
| 92200 | 92200-1504 | WASHER,SPRING | 2 | 2 | | | |
| 92200A | 92200-1634 | WASHER | 1 | 1 | | | |
| 130 | 130CA0630 | BOLT-FLANGED,6X30 | 8 | 8 | | | |

This catalog covers:

'08~'09 KVF750 D8F/D9F Engine

GRID NO.

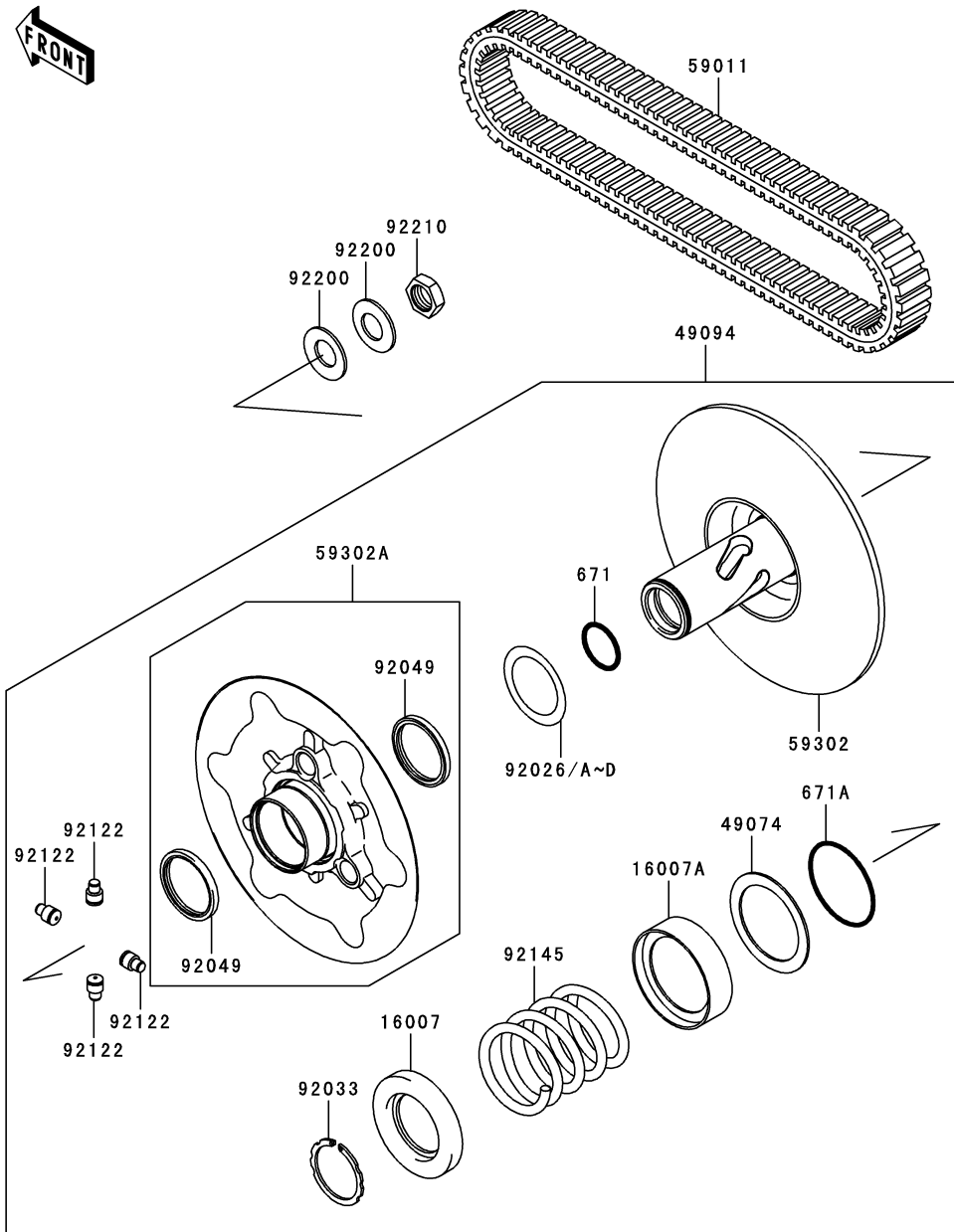
B-13

This grid covers:

Driven Converter/Drive Belt

E1392

| Ref. No. | Part No. | Description | Spec Code | Quantity-KVF750 | | | |
|----------|------------|----------------------------|-----------|-----------------|-----|--|--|
| | | | | '08 | '09 | | |
| | | | | D8F | D9F | | |
| 16007 | 16007-1203 | SEAT-SPRING | 1 | 1 | | | |
| 16007A | 16007-1221 | SEAT-SPRING,SHEAVE MOVABLE | 1 | 1 | | | |
| 49074 | 49074-1055 | PLATE-THRUST | 1 | 1 | | | |
| 49094 | 49094-0019 | CONVERTER-ASSY-DRIVEN | 1 | 1 | | | |
| 59011 | 59011-0003 | BELT | 1 | 1 | | | |
| 59302 | 59302-0001 | SHEAVE-COMP,FIXED | 1 | 1 | | | |
| 59302A | 59302-0002 | SHEAVE-COMP,MOVABLE | 1 | 1 | | | |
| 92026 | 92026-0034 | SPACER,T=0.30 | AR | AR | | | |
| 92026A | 92026-1565 | SPACER,T=1.00 | AR | AR | | | |
| 92026B | 92026-1569 | SPACER,T=0.60 | AR | AR | | | |
| 92026C | 92026-1570 | SPACER,T=1.40 | AR | AR | | | |
| 92026D | 92026-1617 | SPACER,T=0.80 | AR | AR | | | |
| 92033 | 92033-1317 | RING-SNAP | 1 | 1 | | | |
| 92049 | 92049-1528 | SEAL-OIL | 2 | 2 | | | |
| 92122 | 92122-1209 | ROLLER | 4 | 4 | | | |
| 92145 | 92145-1499 | SPRING,PURPLE | 1 | 1 | | | |
| 92200 | 92200-1505 | WASHER | 2 | 2 | | | |
| 92210 | 92210-1367 | NUT,18MM | 1 | 1 | | | |
| 671 | 671D2530 | O RING | 1 | 1 | | | |
| 671A | 671D2550 | O RING | 1 | 1 | | | |



This catalog covers:

'08~'09 KVF750 D8F/D9F Engine

GRID NO.

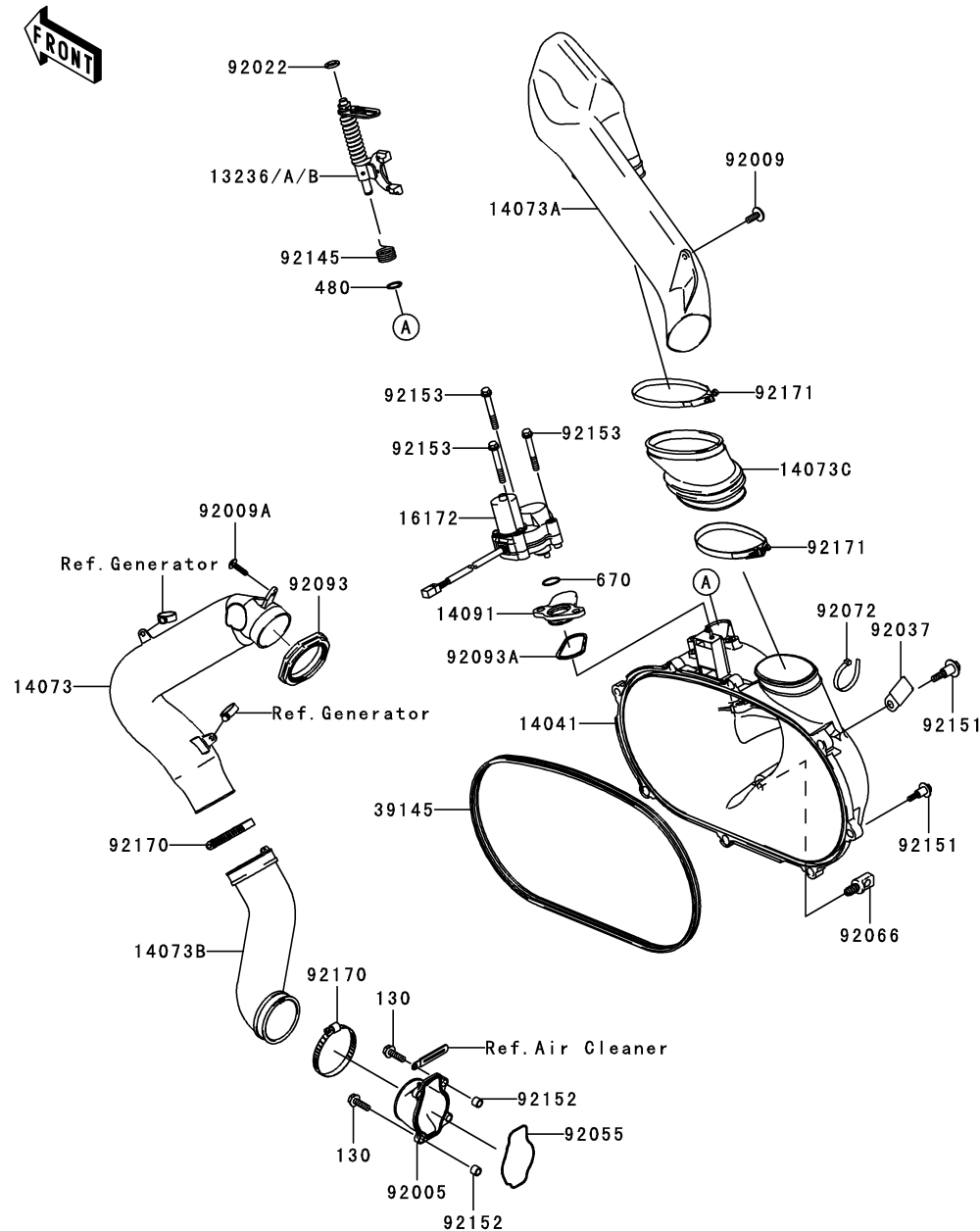
B-14

This grid covers:

Converter Cover

E1393

| Ref. No. | Part No. | Description | Spec Code | Quantity-KVF750 | | | |
|----------|----------|-------------|-----------|-----------------|-----|--|--|
| | | | | '08 | '09 | | |
| | | | | D8F | D9F | | |



| | | | | | |
|--------|------------|-----------------------|--|----|----|
| 13236 | 13236-0046 | LEVER-COMP,YELLOW | | AR | AR |
| 13236A | 13236-0047 | LEVER-COMP,GREEN | | AR | AR |
| 13236B | 13236-0048 | LEVER-COMP,PAINT LESS | | 1 | 1 |
| 14041 | 14041-0004 | COVER-COMP | | 1 | 1 |
| 14073 | 14073-0025 | DUCT,INTAKE | | 1 | 1 |
| 14073A | 14073-0026 | DUCT,EXHAUST | | 1 | 1 |
| 14073B | 14073-0027 | DUCT,INTAKE JOINT | | 1 | 1 |
| 14073C | 14073-0028 | DUCT,EXHAUST JOINT | | 1 | 1 |
| 14091 | 14091-1421 | COVER | | 1 | 1 |
| 16172 | 16172-0006 | ACTUATOR | | 1 | 1 |
| 39145 | 39145-1135 | TRIM-SEAL | | 1 | 1 |
| 92005 | 92005-1387 | FITTING | | 1 | 1 |
| 92009 | 92009-1694 | SCREW,6X16 | | 1 | 1 |
| 92009A | 92009-1993 | SCREW,TAPPING,5X20 | | 1 | 1 |
| 92022 | 92022-1829 | WASHER,10.2X16X1 | | 1 | 1 |
| 92037 | 92037-1780 | CLAMP | | 1 | 1 |
| 92055 | 92055-1630 | RING-O | | 1 | 1 |
| 92066 | 92066-1580 | PLUG,DRAIN,11X19 | | 1 | 1 |
| 92072 | 92072-1239 | BAND,L=188 | | 1 | 1 |
| 92093 | 92093-0016 | SEAL | | 1 | 1 |
| 92093A | 92093-1548 | SEAL | | 1 | 1 |
| 92145 | 92145-1567 | SPRING | | 1 | 1 |
| 92151 | 92151-1686 | BOLT,FLANGED,6X30 | | 8 | 8 |
| 92152 | 92152-1332 | COLLAR | | 4 | 4 |
| 92153 | 92153-0678 | BOLT,6X47 | | 3 | 3 |
| 92170 | 92170-1764 | CLAMP | | 2 | 2 |
| 92171 | 92171-0208 | CLAMP | | 2 | 2 |
| 130 | 130CD0620 | BOLT-FLANGED,6X20 | | 4 | 4 |
| 480 | 480J1000 | CIRCLIP-TYPE-C,10MM | | 1 | 1 |
| 670 | 670D3022 | O RING | | 1 | 1 |

This catalog covers:

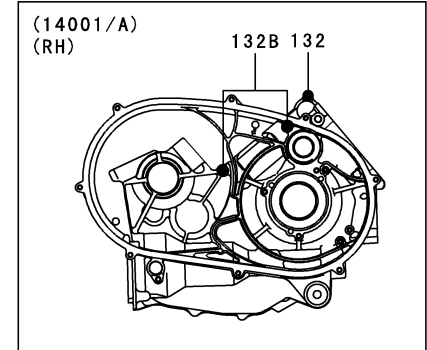
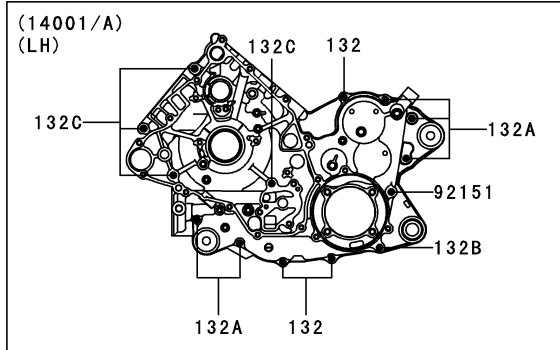
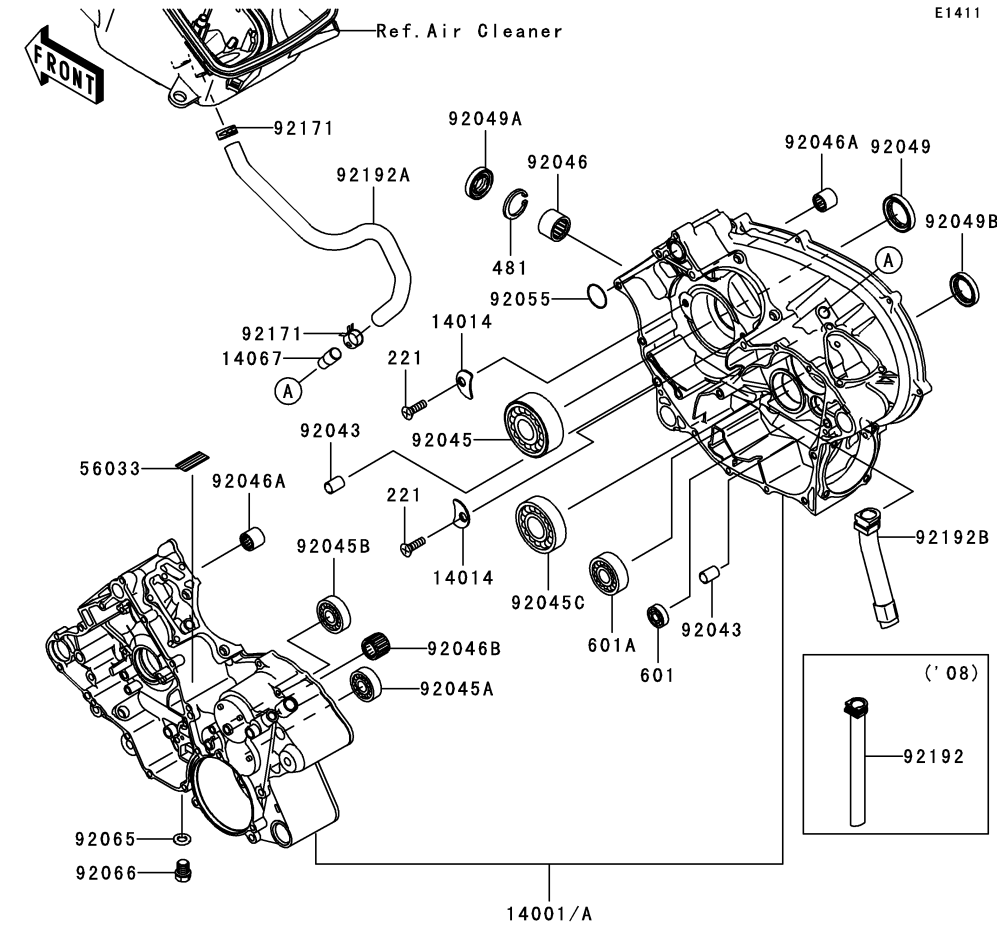
'08~'09 KVF750 D8F/D9F Engine

GRID NO.

C-3

This grid covers:

Crankcase



E1411

| Ref. No. | Part No. | Description | Spec Code | Quantity-KVF750 | | | |
|----------|------------|-----------------------------|-----------|-----------------|-----|--|--|
| | | | | '08 | '09 | | |
| | | | | D8F | D9F | | |
| 14001 | 14001-0015 | SET-CRANKCASE | | 1 | | | |
| 14001A | 14001-0109 | SET-CRANKCASE | | | 1 | | |
| 14014 | 14014-0006 | PLATE-POSITION | | 2 | 2 | | |
| 14067 | 14067-006 | FITTING,BREATHER | | 1 | 1 | | |
| 56033 | 56033-0078 | LABEL-MANUAL,OIL LEVEL | | 1 | 1 | | |
| 92043 | 92043-1506 | PIN,10X14 | | 2 | 2 | | |
| 92045 | 92045-0012 | BEARING-BALL,5208X2-A-ECG45 | | 1 | 1 | | |
| 92045A | 92045-0076 | BEARING-BALL,#6004 | | 1 | 1 | | |
| 92045B | 92045-0091 | BEARING-BALL,6303LUA | | 1 | 1 | | |
| 92045C | 92045-1190 | BEARING-BALL,6306SH2 | | 1 | 1 | | |
| 92046 | 92046-0022 | BEARING-NEEDLE | | 1 | 1 | | |
| 92046A | 92046-1118 | BEARING-NEEDLE,TA202715ZE | | 2 | 2 | | |
| 92046B | 92046-1143 | BEARING-NEEDLE | | 1 | 1 | | |
| 92049 | 92049-1452 | SEAL-OIL,TC 35X50X8 | | 1 | 1 | | |
| 92049A | 92049-1570 | SEAL-OIL,TCY 28X42X8 | | 1 | 1 | | |
| 92049B | 92049-1575 | SEAL-OIL,HTC 30X45X8 | | 1 | 1 | | |
| 92055 | 92055-1136 | RING-O,25.7X2.4 | | 1 | 1 | | |
| 92065 | 92065-097 | GASKET,12X22X2 | | 1 | 1 | | |
| 92066 | 92066-1174 | PLUG,OIL DRAIN,12X15 | | 1 | 1 | | |
| 92151 | 92151-1689 | BOLT,8X110 | | 1 | 1 | | |
| 92171 | 92171-0329 | CLAMP | | 2 | 2 | | |
| 92192 | 92192-0057 | TUBE,OIL RETURN | | 1 | | | |
| 92192A | 92192-0436 | TUBE,CRANKCASE-A/C | | 1 | 1 | | |
| 92192B | 92192-0560 | TUBE,OIL RETURN | | | 1 | | |
| 132 | 132BD0640 | BOLT-FLANGED-SMALL,6X40 | | 4 | 4 | | |
| 132A | 132BD0665 | BOLT-FLANGED-SMALL,6X65 | | 5 | 5 | | |
| 132B | 132BD08110 | BOLT-FLANGED-SMALL,8X110 | | 3 | 3 | | |
| 132C | 132BD0875 | BOLT-FLANGED-SMALL,8X75 | | 4 | 4 | | |
| 221 | 221AA0616 | SCREW-CSK-CROS,6X16 | | 2 | 2 | | |
| 481 | 481J3700 | CIRCLIP-TYPE-C,37MM | | 1 | 1 | | |
| 601 | 601A6000 | BEARING-BALL | | 1 | 1 | | |
| 601A | 601A6304 | BEARING-BALL,#6304 | | 1 | 1 | | |

This catalog covers:

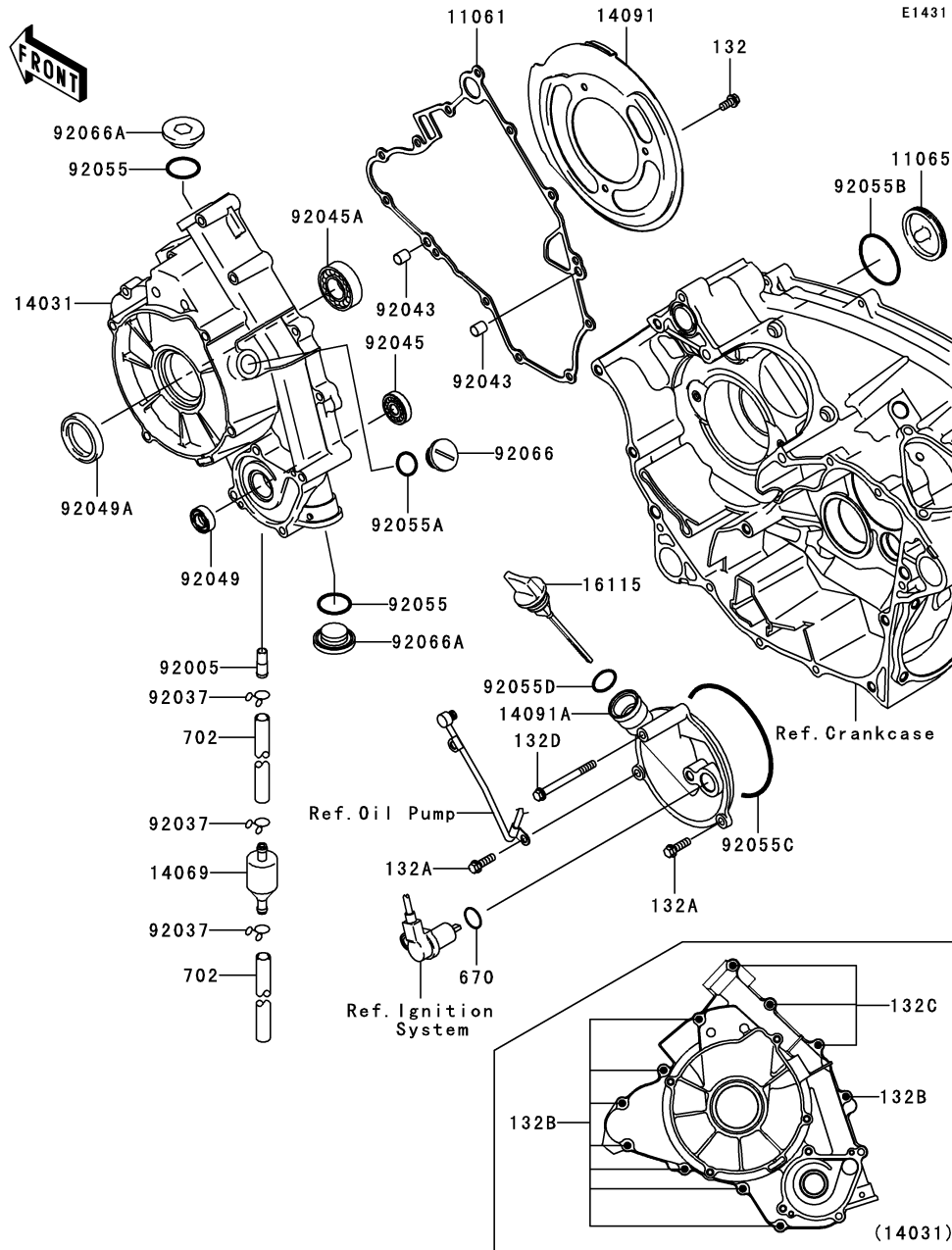
'08~'09 KVF750 D8F/D9F Engine

GRID NO.

C-4

This grid covers:

Engine Cover(s)



E1431

| Ref. No. | Part No. | Description | Spec Code | Quantity-KVF750 | | | |
|----------|------------|--------------------------|-----------|-----------------|-----|--|--|
| | | | | '08 | '09 | | |
| | | | | D8F | D9F | | |
| 11061 | 11061-1119 | GASKET | 1 | 1 | | | |
| 11065 | 11065-1151 | CAP | 1 | 1 | | | |
| 14031 | 14031-0030 | COVER-GENERATOR | 1 | 1 | | | |
| 14069 | 14069-1051 | BREATHER | 1 | 1 | | | |
| 14091 | 14091-0309 | COVER,BELT CONVERTER | 1 | 1 | | | |
| 14091A | 14091-1365 | COVER | 1 | 1 | | | |
| 16115 | 16115-1072 | CAP-OIL FILLER | 1 | 1 | | | |
| 92005 | 92005-1369 | FITTING | 1 | 1 | | | |
| 92037 | 92037-147 | CLAMP,TUBE | 3 | 3 | | | |
| 92043 | 92043-1263 | PIN,6.2X8X14 | 2 | 2 | | | |
| 92045 | 92045-0084 | BEARING-BALL,6901 | 1 | 1 | | | |
| 92045A | 92045-0086 | BEARING-BALL,TMB004JR2CM | 1 | 1 | | | |
| 92049 | 92049-1228 | SEAL-OIL,SC 12X22X5 | 1 | 1 | | | |
| 92049A | 92049-1576 | SEAL-OIL,HTC 28X45X7 | 1 | 1 | | | |
| 92055 | 92055-1136 | RING-O,25.7X2.4 | 2 | 2 | | | |
| 92055A | 92055-1146 | RING-O,20X2 | 1 | 1 | | | |
| 92055B | 92055-1279 | RING-O,44.7X2.4 | 1 | 1 | | | |
| 92055C | 92055-1632 | RING-O,99.5X2.0 | 1 | 1 | | | |
| 92055D | 92055-2185 | RING-O,20X3 | 1 | 1 | | | |
| 92066 | 92066-0011 | PLUG,COVER | 1 | 1 | | | |
| 92066A | 92066-0012 | PLUG,25X8 | 2 | 2 | | | |
| 132 | 132BD0612 | BOLT-FLANGED-SMALL,6X12 | 3 | 3 | | | |
| 132A | 132BD0620 | BOLT-FLANGED-SMALL,6X20 | 2 | 2 | | | |
| 132B | 132BD0630 | BOLT-FLANGED-SMALL,6X30 | 8 | 8 | | | |
| 132C | 132BD0655 | BOLT-FLANGED-SMALL,6X55 | 3 | 3 | | | |
| 132D | 132BD0665 | BOLT-FLANGED-SMALL,6X65 | 1 | 1 | | | |
| 670 | 670D2018 | O RING | 1 | 1 | | | |
| 702 | 702A07035 | TUBE-RUBBER,7X10X35 | 2 | 2 | | | |

This catalog covers:

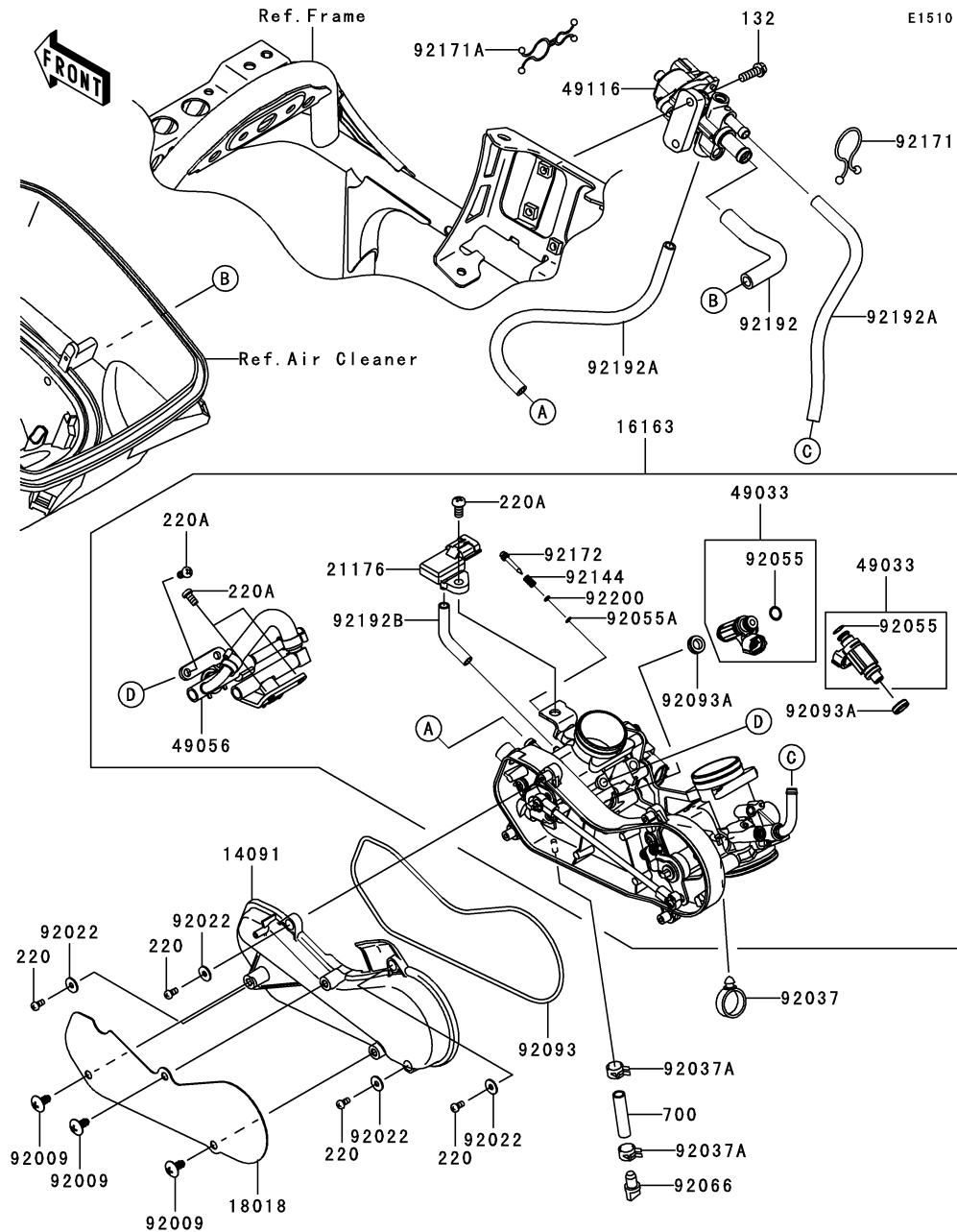
'08~'09 KVF750 D8F/D9F Engine

GRID NO.

C-5

This grid covers:

Throttle



| Ref. No. | Part No. | Description | Spec Code | Quantity-KVF750 | | | |
|----------|------------|----------------------------|-----------|-----------------|-----|--|--|
| | | | | '08 | '09 | | |
| | | | | D8F | D9F | | |
| 14091 | 14091-0737 | COVER | 1 | 1 | | | |
| 16163 | 16163-0125 | THROTTLE-ASSY,36EIS | 1 | 1 | | | |
| 18018 | 18018-0010 | PLATE-HEAT GUARD | 1 | 1 | | | |
| 21176 | 21176-0058 | SENSOR,PRESSURE | 1 | 1 | | | |
| 49033 | 49033-1060 | NOZZLE-INJECTION | 2 | 2 | | | |
| 49056 | 49056-0021 | PIPE-INJECTION | 1 | 1 | | | |
| 49116 | 49116-0021 | VALVE-ASSY | 1 | 1 | | | |
| 92009 | 92009-1480 | SCREW,6X12 | 3 | 3 | | | |
| 92022 | 92022-1380 | WASHER,5.2X13X1 | 4 | 4 | | | |
| 92037 | 92037-1827 | CLAMP,HOSE | 1 | 1 | | | |
| 92037A | 92037-2113 | CLAMP | 2 | 2 | | | |
| 92055 | 92055-1622 | RING-O,INJECTION NOZZLE | 2 | 2 | | | |
| 92055A | 92055-1658 | RING-O,AIR SCREW | 2 | 2 | | | |
| 92066 | 92066-1211 | PLUG,DRAIN | 1 | 1 | | | |
| 92093 | 92093-0082 | SEAL | 1 | 1 | | | |
| 92093A | 92093-0127 | SEAL | 2 | 2 | | | |
| 92144 | 92144-1674 | SPRING,THROTTLE STOP SCREW | 2 | 2 | | | |
| 92171 | 92171-1185 | CLAMP | 1 | 1 | | | |
| 92171A | 92171-1438 | CLAMP | 1 | 1 | | | |
| 92172 | 92172-0156 | SCREW | 2 | 2 | | | |
| 92192 | 92192-0437 | TUBE | 1 | 1 | | | |
| 92192A | 92192-0439 | TUBE | 2 | 2 | | | |
| 92192B | 92192-0578 | TUBE,3.2X7.4X50 | 1 | 1 | | | |
| 92200 | 92200-1564 | WASHER,PILOT AIR SCREW | 2 | 2 | | | |
| 132 | 132BD0618 | BOLT-FLANGED-SMALL,6X18 | 2 | 2 | | | |
| 220 | 220AA0408 | SCREW-PAN-CROSS,4X8 | 4 | 4 | | | |
| 220A | 220AA0612 | SCREW-PAN-CROSS,6X12 | 5 | 5 | | | |
| 700 | 700Q0740 | TUBE-PVC | 1 | 1 | | | |

This catalog covers:

'08~'09 KVF750 D8F/D9F Engine

GRID NO.

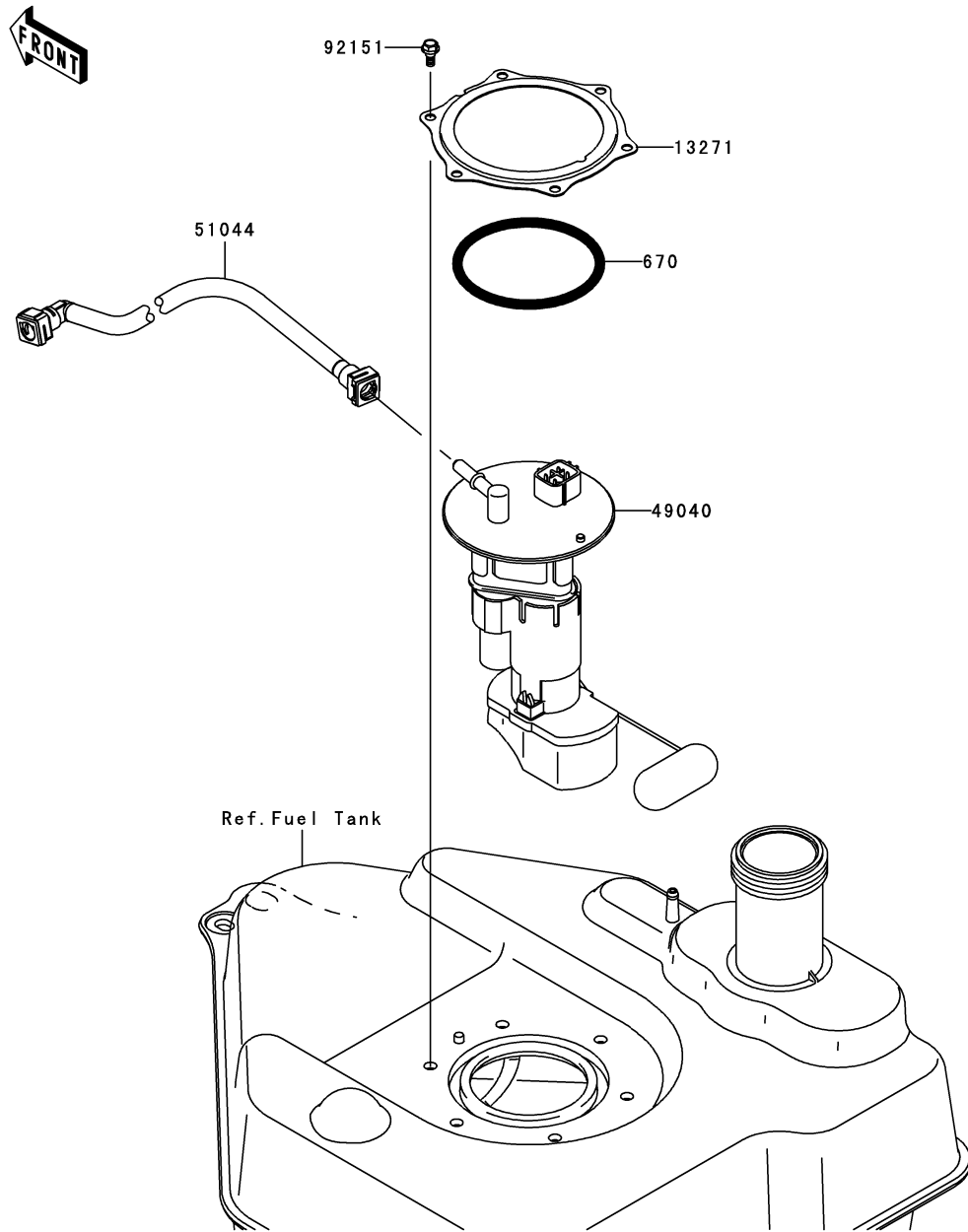
C-6

This grid covers:

Fuel Pump

E1520

| Ref. No. | Part No. | Description | Quantity-KVF750 | | | |
|----------|------------|---------------------|-----------------|-----|--|--|
| | | | '08 | '09 | | |
| | | | D8F | D9F | | |
| 13271 | 13271-0980 | PLATE | 1 | 1 | | |
| 49040 | 49040-0033 | PUMP-FUEL | 1 | 1 | | |
| 51044 | 51044-0041 | TUBE-ASSY | 1 | 1 | | |
| 92151 | 92151-1754 | BOLT,FLANGED,5X11.5 | 6 | 6 | | |
| 670 | 670E5090 | O RING | 1 | 1 | | |



This catalog covers:

'08~'09 KVF750 D8F/D9F Engine

GRID NO.

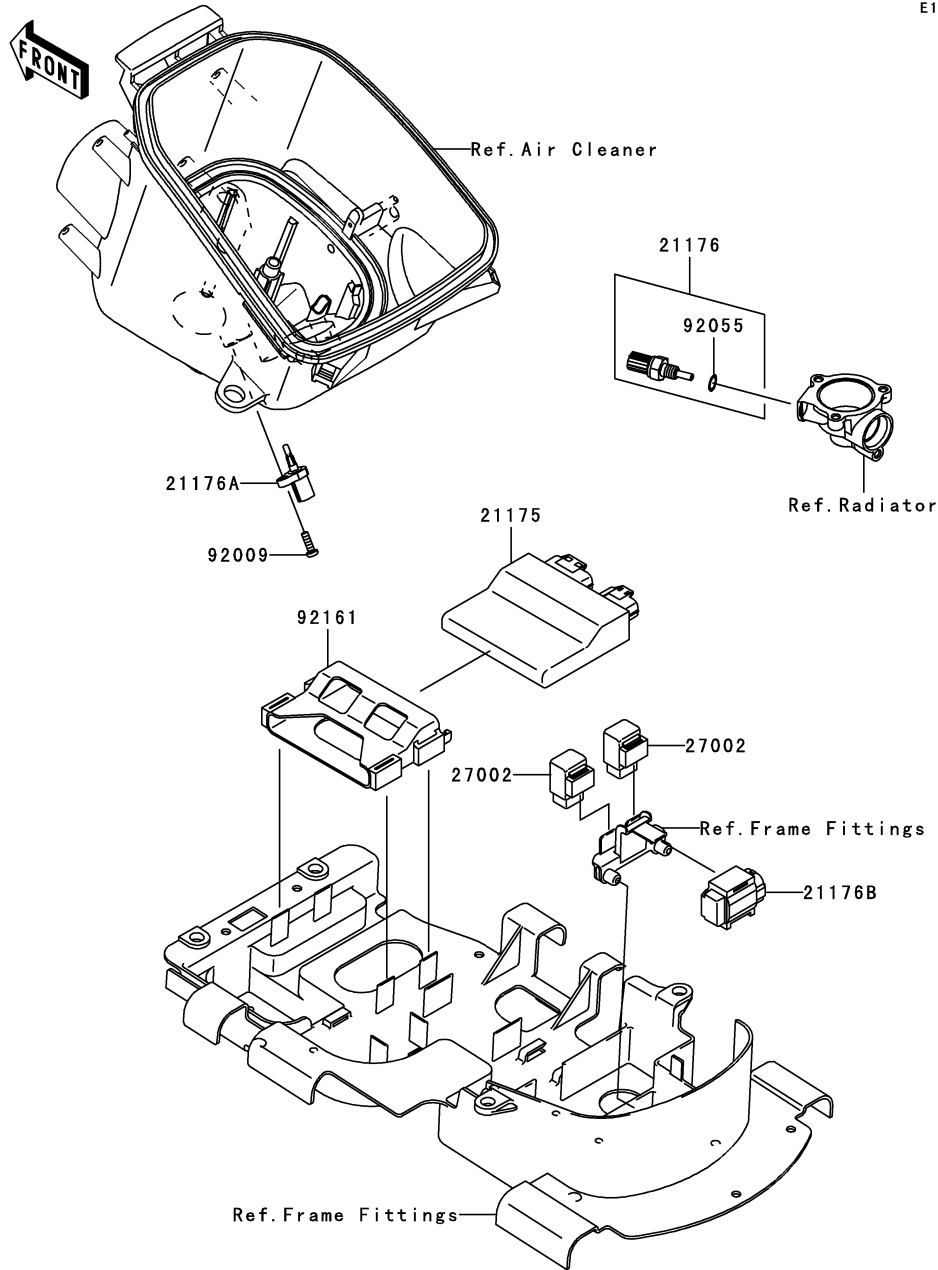
C-7

This grid covers:

Fuel Injection

E1530

| Ref. No. | Part No. | Description | Spec Code | Quantity-KVF750 | | | |
|----------|------------|-------------------------|-----------|-----------------|-----|--|--|
| | | | | '08 | '09 | | |
| | | | | D8F | D9F | | |
| 21175 | 21175-0137 | CONTROL UNIT-ELECTRONIC | 1 | 1 | | | |
| 21176 | 21176-0009 | SENSOR,WATER TEMP | 1 | 1 | | | |
| 21176A | 21176-0048 | SENSOR,AIR TEMPERATURE | 1 | 1 | | | |
| 21176B | 21176-0066 | SENSOR,VEHICLE-DOWN | 1 | 1 | | | |
| 27002 | 27002-1062 | RELAY-ASSY | 2 | 2 | | | |
| 92009 | 92009-1984 | SCREW,TAPPING,5X16 | 1 | 1 | | | |
| 92055 | 92055-0016 | RING-O,9.5X1.9 | 1 | 1 | | | |
| 92161 | 92161-0465 | DAMPER | 1 | 1 | | | |



This catalog covers:

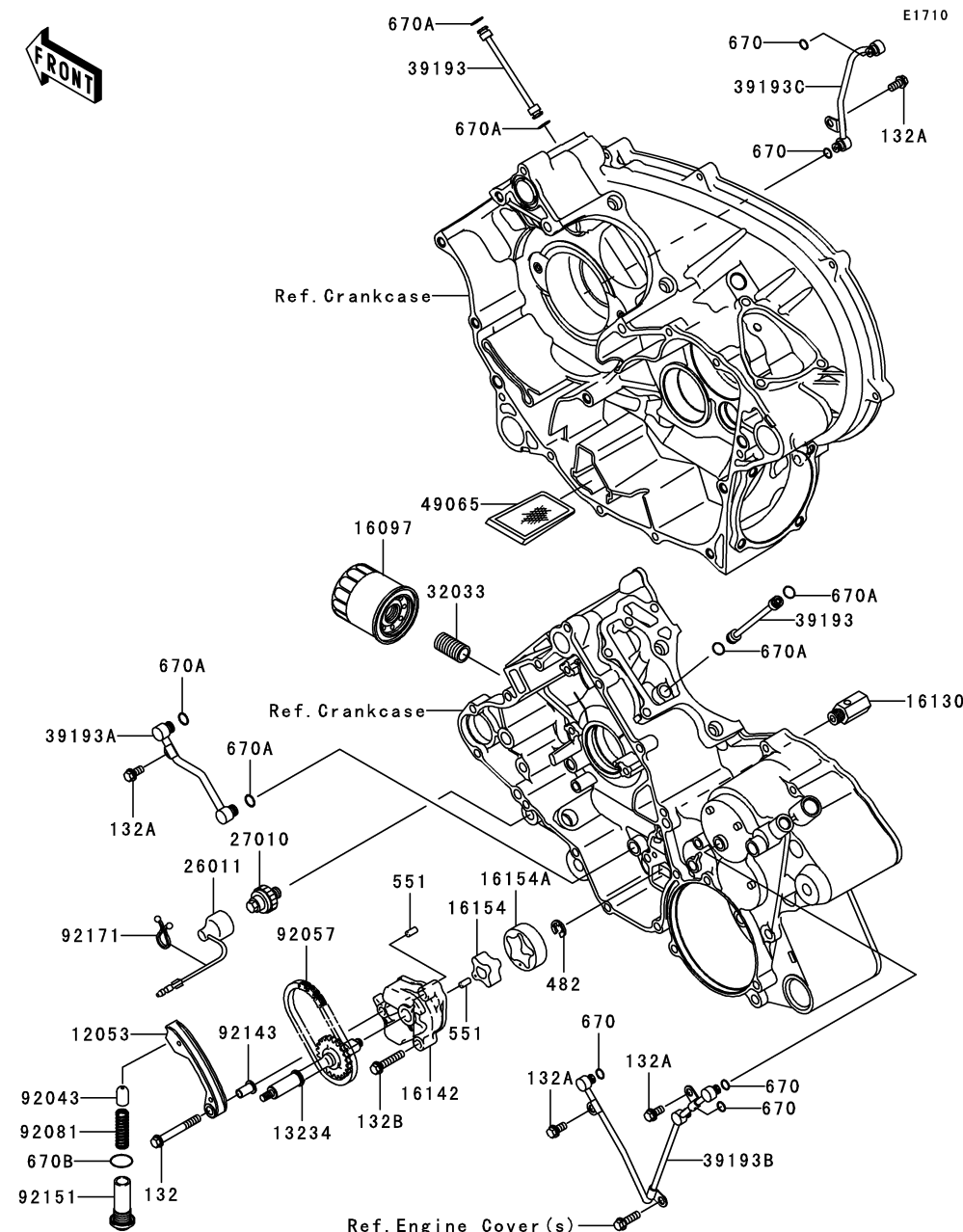
'08~'09 KVF750 D8F/D9F Engine

GRID NO.

C-8

This grid covers:

Oil Pump



| Ref. No. | Part No. | Description | Spec Code | Quantity-KVF750 | | | |
|----------|------------|-------------------------|-----------|-----------------|-----|--|--|
| | | | | '08 | '09 | | |
| | | | | D8F | D9F | | |
| 12053 | 12053-1440 | GUIDE-CHAIN,SLACK | 1 | 1 | | | |
| 13234 | 13234-1112 | SHAFT-COMP,OIL PUMP | 1 | 1 | | | |
| 16097 | 16097-0003 | FILTER-ASSY-OIL | 1 | 1 | | | |
| 16130 | 16130-1058 | VALVE-ASSY-RELIEF | 1 | 1 | | | |
| 16142 | 16142-1162 | COVER-PUMP | 1 | 1 | | | |
| 16154 | 16154-2059 | ROTOR-PUMP,INNER | 1 | 1 | | | |
| 16154A | 16154-2060 | ROTOR-PUMP,OUTER | 1 | 1 | | | |
| 26011 | 26011-1755 | WIRE-LEAD | 1 | 1 | | | |
| 27010 | 27010-1313 | SWITCH,OIL PRESSURE | 1 | 1 | | | |
| 32033 | 32033-1535 | PIPE,OIL FILTER | 1 | 1 | | | |
| 39193 | 39193-0015 | PIPE-OIL,CRANKCASE-HEAD | 2 | 2 | | | |
| 39193A | 39193-1052 | PIPE-OIL,CRANKSHAFT | 1 | 1 | | | |
| 39193B | 39193-1053 | PIPE-OIL,CRANKCASE,LH | 1 | 1 | | | |
| 39193C | 39193-1054 | PIPE-OIL,CRANKCASE,RH | 1 | 1 | | | |
| 49065 | 49065-1086 | FILTER-OIL | 1 | 1 | | | |
| 92043 | 92043-076 | PIN | 1 | 1 | | | |
| 92057 | 92057-0075 | CHAIN,DID SCR-0409 SDH | 1 | 1 | | | |
| 92081 | 92081-112 | SPRING | 1 | 1 | | | |
| 92143 | 92143-1857 | COLLAR | 1 | 1 | | | |
| 92151 | 92151-1781 | BOLT,16X41 | 1 | 1 | | | |
| 92171 | 92171-1329 | CLAMP | 1 | 1 | | | |
| 132 | 132BB0650 | BOLT-FLANGED-SMALL,6X50 | 1 | 1 | | | |
| 132A | 132BD0612 | BOLT-FLANGED-SMALL,6X12 | 4 | 4 | | | |
| 132B | 132BD0630 | BOLT-FLANGED-SMALL,6X30 | 2 | 2 | | | |
| 482 | 482J6000 | CIRCLIP-TYPE-E,6MM | 1 | 1 | | | |
| 551 | 551A0408 | PIN-DOWEL,4X8 | 2 | 2 | | | |
| 670 | 670D1505 | O RING | 5 | 5 | | | |
| 670A | 670D1507 | O RING,7MM | 6 | 6 | | | |
| 670B | 670D2016 | O RING,16MM | 1 | 1 | | | |

This catalog covers:

'08~'09 KVF750 D8F/D9F Engine

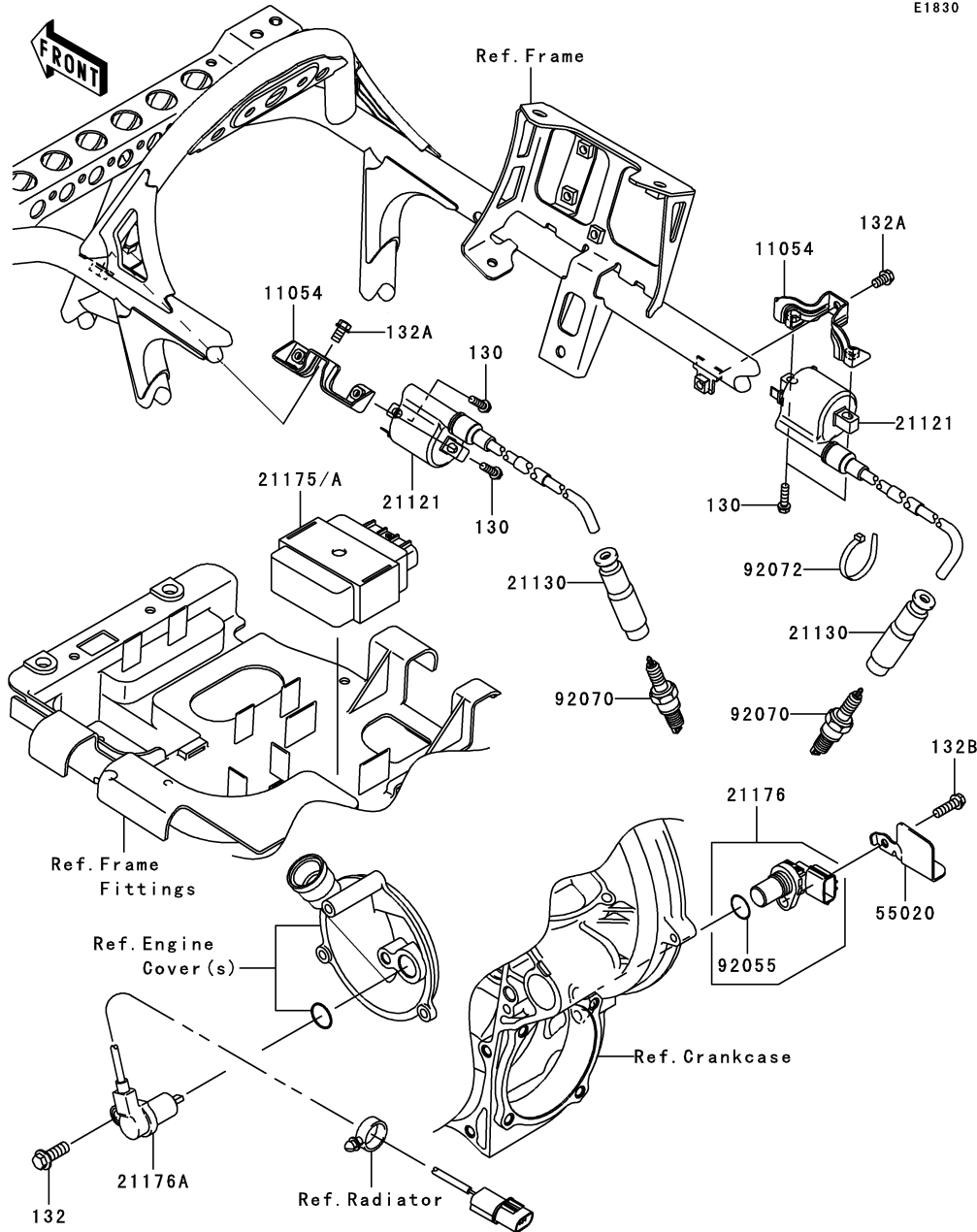
GRID NO.

C-10

This grid covers:

Ignition System

E1830



| Ref. No. | Part No. | Description | Quantity-KVF750 | | | |
|----------|------------|-------------------------|-----------------|-----|-----|-----|
| | | | Spec Code | | '08 | '09 |
| | | | D8F | D9F | | |
| 11054 | 11054-1328 | BRACKET | 2 | 2 | | |
| 21121 | 21121-0039 | COIL-IGNITION | 2 | 2 | | |
| 21130 | 21130-1071 | CAP-SPARK PLUG | 2 | 2 | | |
| 21175 | 21175-0086 | CONTROL UNIT-ELECTRONIC | 1 | | | |
| 21175A | 21175-0216 | CONTROL UNIT-ELECTRONIC | | 1 | | |
| 21176 | 21176-1104 | SENSOR,SPEED | 1 | 1 | | |
| 21176A | 21176-1109 | SENSOR,REVERSE | 1 | 1 | | |
| 55020 | 55020-0247 | GUARD | 1 | 1 | | |
| 92055 | 92055-1718 | RING-O | 1 | 1 | | |
| 92070 | 92070-1209 | PLUG-SPARK,CR7E(NGK) | 2 | 2 | | |
| 92072 | 92072-1239 | BAND,L=188 | 1 | 1 | | |
| 130 | 130BB0518 | BOLT-FLANGED,5X18 | 4 | 4 | | |
| 132 | 132BA0822 | BOLT-FLANGED-SMALL,8X22 | 1 | 1 | | |
| 132A | 132BD0610 | BOLT-FLANGED-SMALL,6X10 | 2 | 2 | | |
| 132B | 132BD0620 | BOLT-FLANGED-SMALL,6X20 | 1 | 1 | | |

This catalog covers:

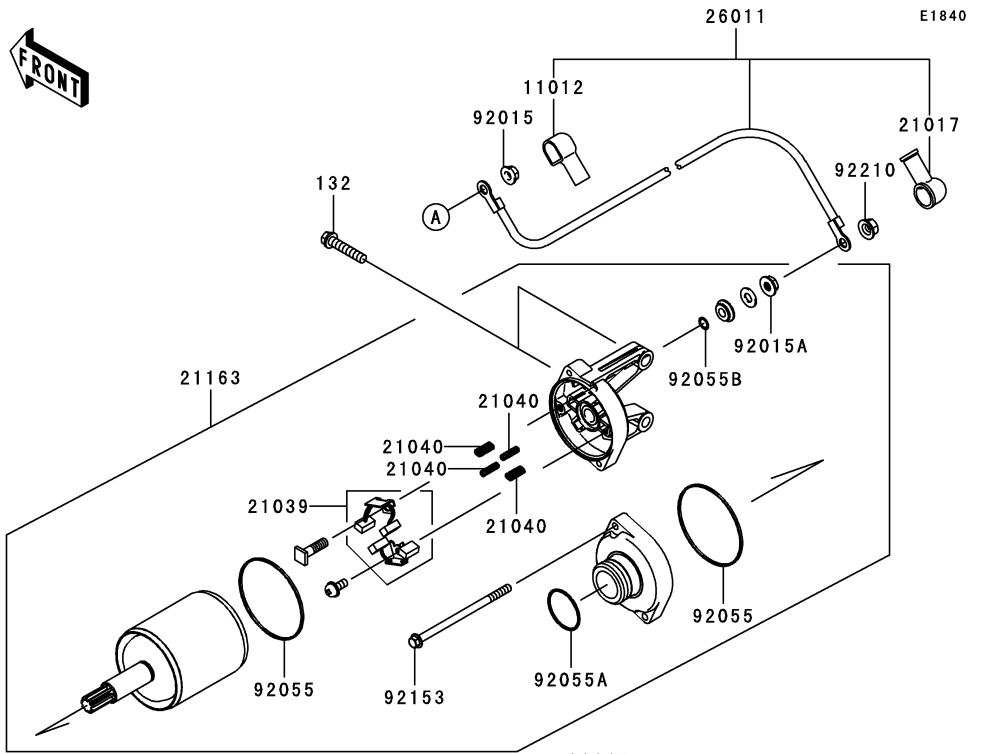
'08~'09 KVF750 D8F/D9F Engine

GRID NO.

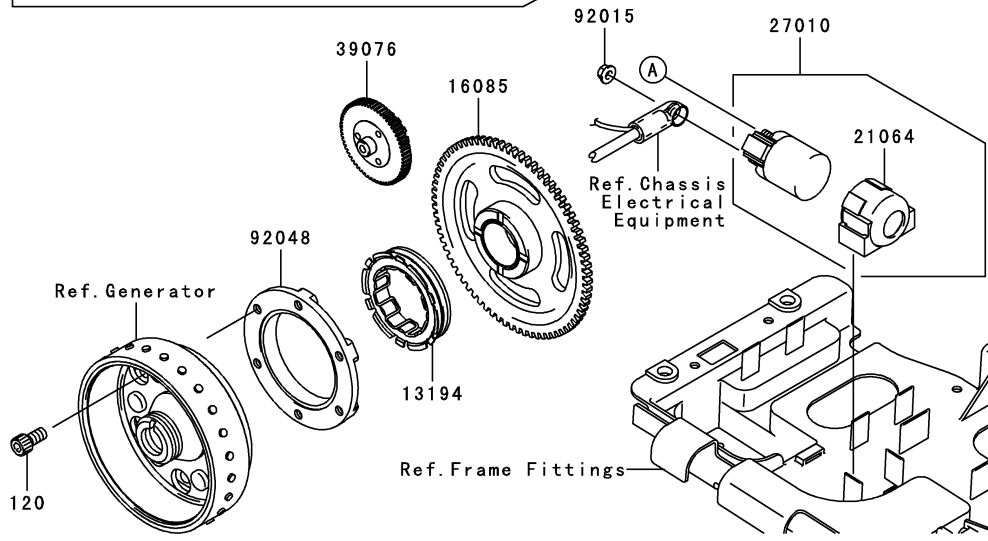
C-11

This grid covers:

Starter Motor



| Ref. No. | Part No. | Description | Spec Code | Quantity-KVF750 | | | |
|----------|------------|--------------------------|-----------|-----------------|-----|--|--|
| | | | | '08 | '09 | | |
| | | | | D8F | D9F | | |
| 11012 | 11012-1354 | CAP,TERMINAL | 1 | 1 | | | |
| 13194 | 13194-1094 | CLUTCH-ONEWAY | 1 | 1 | | | |
| 16085 | 16085-1238 | GEAR,STARTER | 1 | 1 | | | |
| 21017 | 21017-017 | GROMMET,STARTER TERMINAL | 1 | 1 | | | |
| 21039 | 21039-0004 | BRUSH,CARBON | 1 | 1 | | | |
| 21040 | 21040-0003 | SPRING-BRUSH | 4 | 4 | | | |
| 21064 | 21064-002 | DAMPER,MAGNETIC SWITCH | 1 | 1 | | | |
| 21163 | 21163-0037 | STARTER-ELECTRIC | 1 | 1 | | | |
| 26011 | 26011-0111 | WIRE-LEAD,STARTER CABLE | 1 | 1 | | | |
| 27010 | 27010-1098 | SWITCH,MAGNETIC | 1 | 1 | | | |
| 39076 | 39076-0005 | LIMITER,STARTER | 1 | 1 | | | |
| 92015 | 92015-1193 | NUT,FLANGED,6MM | 2 | 2 | | | |
| 92015A | 92015-1476 | NUT,STARTER MOTOR | 1 | 1 | | | |
| 92048 | 92048-0002 | RACE,ONE WAY CLUTCH | 1 | 1 | | | |
| 92055 | 92055-0136 | RING-O | 2 | 2 | | | |
| 92055A | 92055-1276 | RING-O | 1 | 1 | | | |
| 92055B | 92055-1370 | RING-O,4.5X2.0 | 1 | 1 | | | |
| 92153 | 92153-1850 | BOLT | 2 | 2 | | | |
| 92210 | 92210-0188 | NUT,6MM | 1 | 1 | | | |
| 120 | 120CA0816 | BOLT-SOCKET,8X16 | 6 | 6 | | | |
| 132 | 132BD0630 | BOLT-FLANGED-SMALL,6X30 | 2 | 2 | | | |



This catalog covers:

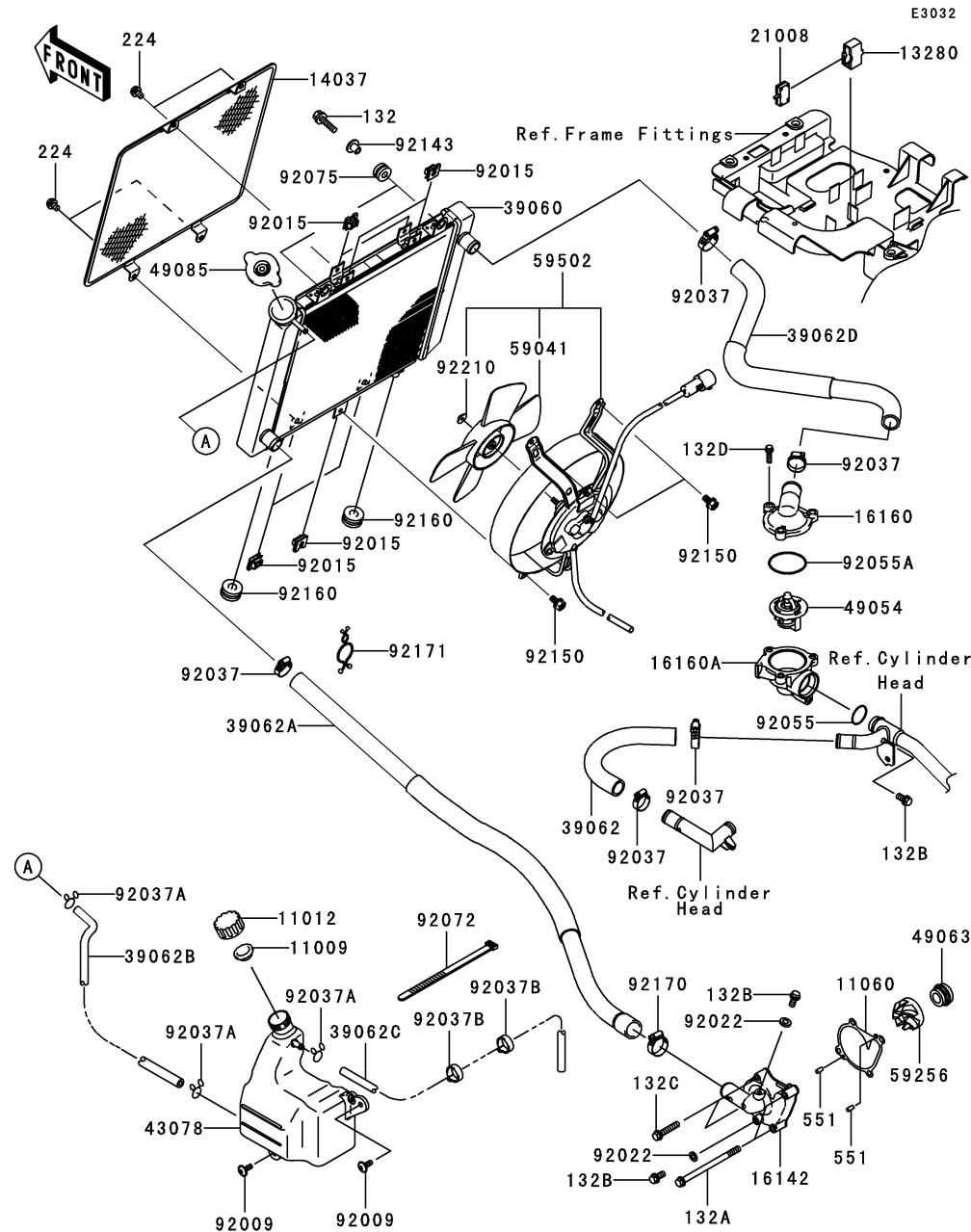
'08~'09 KVF750 D8F/D9F Engine

GRID NO.

C-12

This grid covers:

Radiator(1/2)



| Ref. No. | Part No. | Description | Spec Code | Quantity-KVF750 | | | |
|----------|------------|------------------------------|-----------|-----------------|-----|--|--|
| | | | | '08 | '09 | | |
| | | | | D8F | D9F | | |
| 11009 | 11009-1145 | GASKET,RESERVOIR TANK CAP | | 1 | 1 | | |
| 11012 | 11012-1084 | CAP | | 1 | 1 | | |
| 11060 | 11060-1964 | GASKET,WATER PUMP | | 1 | 1 | | |
| 13280 | 13280-0082 | HOLDER,BREAKER | | 1 | 1 | | |
| 14037 | 14037-0045 | SCREEN | | 1 | 1 | | |
| 16142 | 16142-0002 | COVER-PUMP,WATER | | 1 | 1 | | |
| 16160 | 16160-0046 | BODY,THERMOSTAT,UPP | | 1 | 1 | | |
| 16160A | 16160-0127 | BODY | | 1 | 1 | | |
| 21008 | 21008-0001 | BREAKER,FAN MOTOR | | 1 | 1 | | |
| 39060 | 39060-0040 | RADIATOR | | 1 | 1 | | |
| 39062 | 39062-0178 | HOSE-COOLING,FR HEAD-THERMO | | 1 | 1 | | |
| 39062A | 39062-0180 | HOSE-COOLING,RAD-WATER PUMP | | 1 | 1 | | |
| 39062B | 39062-0226 | HOSE-COOLING | | 1 | 1 | | |
| 39062C | 39062-0227 | HOSE-COOLING | | 1 | 1 | | |
| 39062D | 39062-0241 | HOSE-COOLING,THERMO-RADIATOR | | 1 | 1 | | |
| 43078 | 43078-0024 | RESERVOIR | | 1 | 1 | | |
| 49054 | 49054-1055 | THERMOSTAT | | 1 | 1 | | |
| 49063 | 49063-1055 | SEAL-MECHANICAL,WATER | | 1 | 1 | | |
| 49085 | 49085-1066 | CAP-ASSY-PRESSURE | | 1 | 1 | | |
| 59041 | 59041-0002 | FAN | | 1 | 1 | | |
| 59256 | 59256-1069 | IMPELLER | | 1 | 1 | | |
| 59502 | 59502-0011 | FAN-ASSY | | 1 | 1 | | |
| 92009 | 92009-1694 | SCREW,6X16 | | 2 | 2 | | |
| 92015 | 92015-1487 | NUT | | 7 | 7 | | |
| 92022 | 92022-304 | WASHER,6.2X11X1 | | 2 | 2 | | |
| 92037 | 92037-1589 | CLAMP,COOLING HOSE | | 5 | 5 | | |
| 92037A | 92037-1712 | CLAMP | | 3 | 3 | | |
| 92037B | 92037-1827 | CLAMP,HOSE | | 2 | 2 | | |
| 92055 | 92055-1081 | RING-O,22.1X2.4 | | 1 | 1 | | |
| 92055A | 92055-1279 | RING-O,44.7X2.4 | | 1 | 1 | | |
| 92072 | 92072-030 | BAND,L=123 | | 1 | 1 | | |
| 92075 | 92075-209 | DAMPER | | 2 | 2 | | |
| 92143 | 92143-1353 | COLLAR | | 2 | 2 | | |
| 92150 | 92150-1186 | BOLT,6X12 | | 3 | 3 | | |
| 92160 | 92160-1007 | DAMPER | | 2 | 2 | | |
| 92170 | 92170-1497 | CLAMP | | 1 | 1 | | |
| 92171 | 92171-1736 | CLAMP | | 1 | 1 | | |
| 92210 | 92210-0335 | NUT | | 1 | 1 | | |
| 132 | 132BA0625 | BOLT-FLANGED-SMALL,6X25 | | 2 | 2 | | |
| 132A | 132BB0690 | BOLT-FLANGED-SMALL,6X90 | | 2 | 2 | | |

This catalog covers:

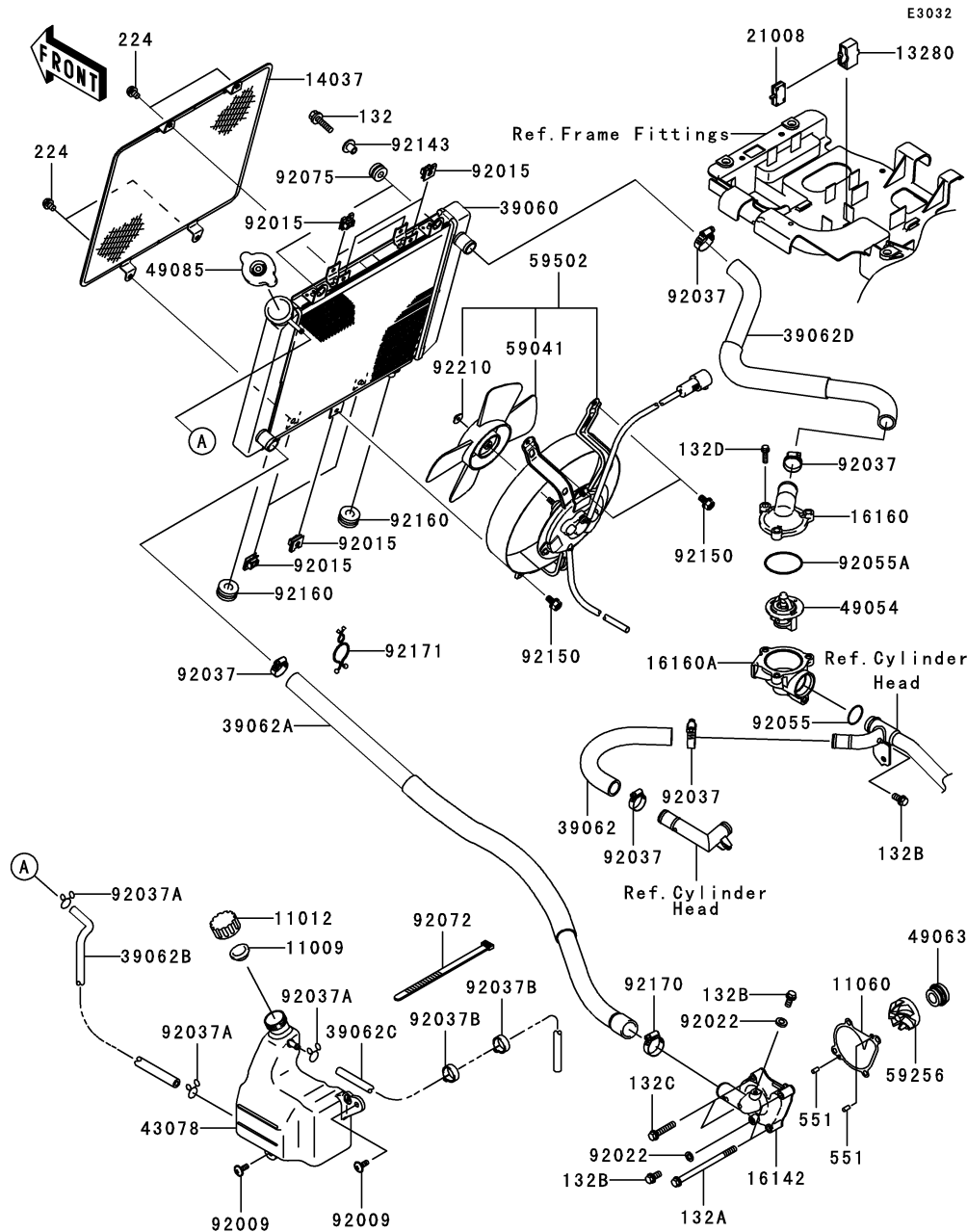
'08~'09 KVF750 D8F/D9F Engine

GRID NO.

C-13

This grid covers:

Radiator(2/2)



| Ref. No. | Part No. | Description | Spec Code | Quantity-KVF750 | | | |
|----------|-----------|-------------------------|-----------|-----------------|-----|--|--|
| | | | | '08 | '09 | | |
| | | | | D8F | D9F | | |
| 132B | 132BD0612 | BOLT-FLANGED-SMALL,6X12 | 3 | 3 | | | |
| 132C | 132BD0630 | BOLT-FLANGED-SMALL,6X30 | 2 | 2 | | | |
| 132D | 132E0620 | BOLT-FLANGED-SMALL,6X20 | 3 | 3 | | | |
| 224 | 224AB0610 | SCREW-PAN-WP-CROS,6X10 | 4 | 4 | | | |
| 551 | 551A0408 | PIN-DOWEL,4X8 | 2 | 2 | | | |

This catalog covers:

'08~'09 KVF750 D8F/D9F Engine

GRID NO.

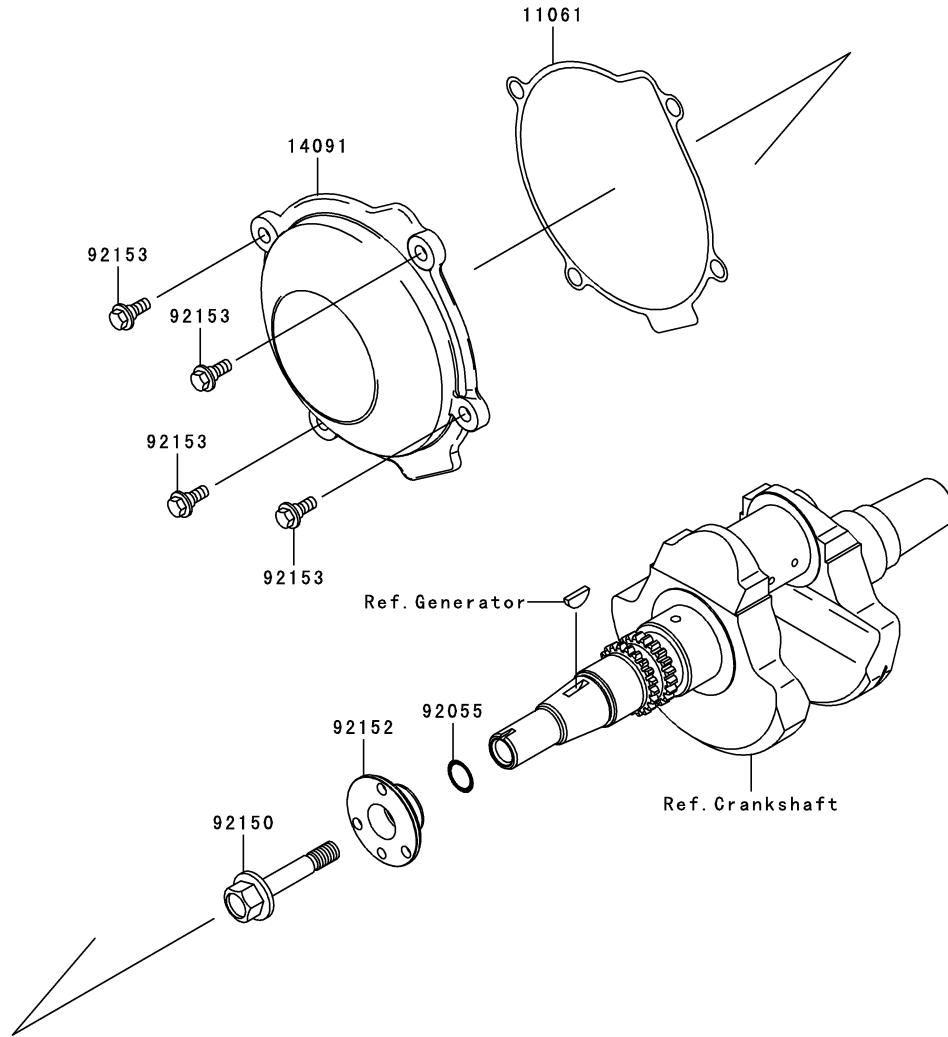
C-14

This grid covers:

Recoil Starter

E3040

| Ref. No. | Part No. | Description | Spec Code | Quantity-KVF750 | | | |
|----------|------------|-------------------|-----------|-----------------|-----|--|--|
| | | | | '08 | '09 | | |
| | | | | D8F | D9F | | |
| 11061 | 11061-1153 | GASKET | 1 | 1 | | | |
| 14091 | 14091-0738 | COVER | 1 | 1 | | | |
| 92055 | 92055-1215 | RING-O,19.8X2.2 | 1 | 1 | | | |
| 92150 | 92150-1987 | BOLT,12X65 | 1 | 1 | | | |
| 92152 | 92152-1467 | COLLAR,20X51X17 | 1 | 1 | | | |
| 92153 | 92153-7007 | BOLT,FLANGED,6X16 | 4 | 4 | | | |



This catalog covers:

'08~'09 KVF750 D8F/D9F Engine

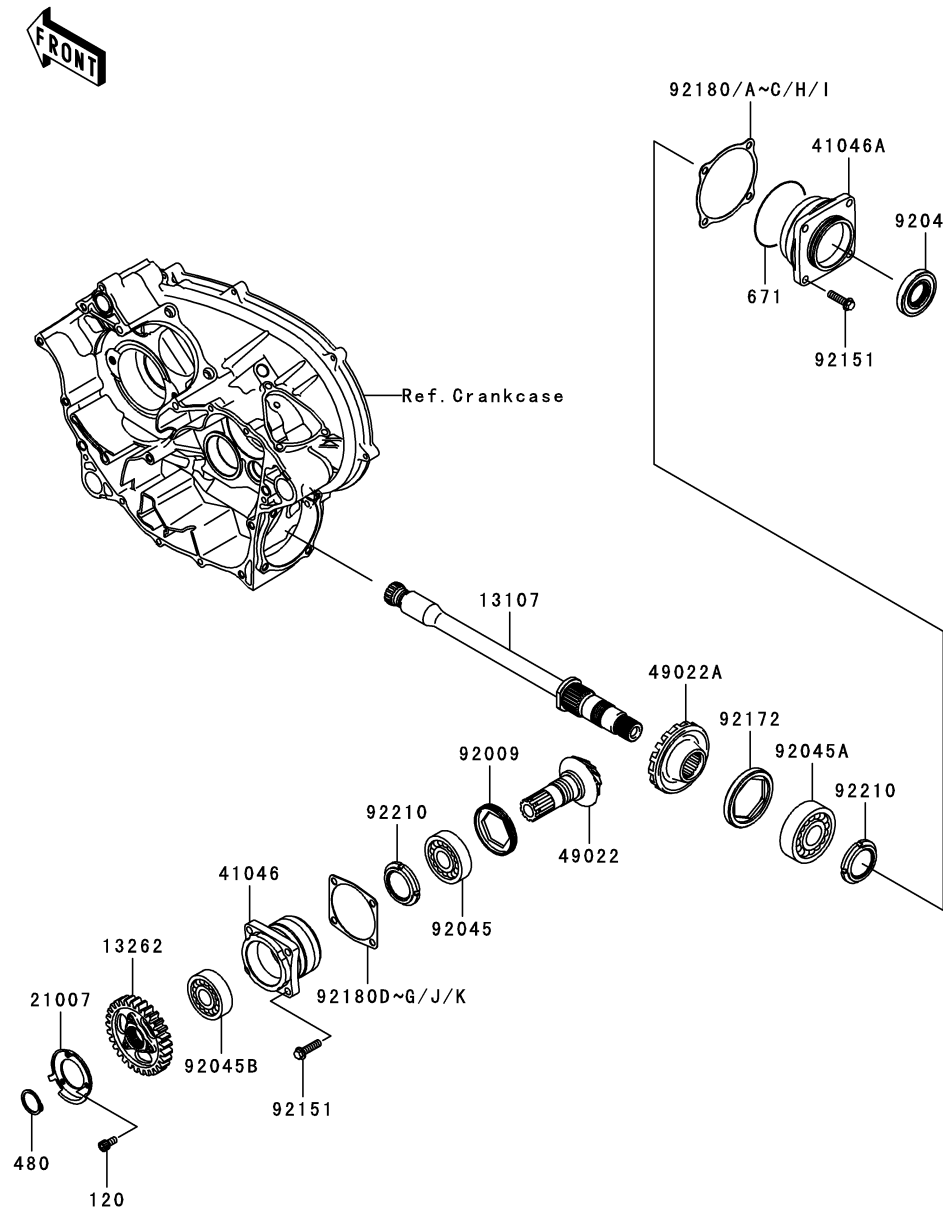
GRID NO.

D-3

This grid covers:

Front Bevel Gear

E3131



| Ref. No. | Part No. | Description | Spec Code | Quantity-KVF750 | | | |
|----------|------------|-------------------------|-----------|-----------------|-----|--|--|
| | | | | '08 | '09 | | |
| | | | | D8F | D9F | | |
| 13107 | 13107-0114 | SHAFT,F/R OUTPUT | 1 | 1 | | | |
| 13262 | 13262-0494 | GEAR,OUTPUT,29T | 1 | 1 | | | |
| 21007 | 21007-1416 | ROTOR,REVERSE SENSOR | 1 | 1 | | | |
| 41046 | 41046-1101 | HOUSING-BEARING | 1 | 1 | | | |
| 41046A | 41046-1102 | HOUSING-BEARING | 1 | 1 | | | |
| 49022 | 49022-0010 | GEAR-BEVEL,DRIVE,12T | 1 | 1 | | | |
| 49022A | 49022-0011 | GEAR-BEVEL,DRIVEN,20T | 1 | 1 | | | |
| 92009 | 92009-1914 | SCREW,64MM | 1 | 1 | | | |
| 92045 | 92045-0110 | BEARING-BALL,6206-9C3 | 1 | 1 | | | |
| 92045A | 92045-1190 | BEARING-BALL,6306SH2 | 1 | 1 | | | |
| 92045B | 92045-1207 | BEARING-BALL,62/28 | 1 | 1 | | | |
| 92049 | 92049-0095 | SEAL-OIL | 1 | 1 | | | |
| 92151 | 92151-1688 | BOLT-FLANGED-SMALL,8X30 | 8 | 8 | | | |
| 92172 | 92172-0371 | SCREW,SET,75X10 | 1 | 1 | | | |
| 92180 | 92180-1307 | SHIM,DRIVEN,T=0.15 | AR | AR | | | |
| 92180A | 92180-1308 | SHIM,DRIVEN,T=0.20 | AR | AR | | | |
| 92180B | 92180-1309 | SHIM,DRIVEN,T=0.50 | AR | AR | | | |
| 92180C | 92180-1310 | SHIM,DRIVEN,T=0.80 | AR | AR | | | |
| 92180D | 92180-1311 | SHIM,DRIVE,T=0.15 | AR | AR | | | |
| 92180E | 92180-1312 | SHIM,DRIVE,T=0.20 | AR | AR | | | |
| 92180F | 92180-1313 | SHIM,DRIVE,T=0.50 | AR | AR | | | |
| 92180G | 92180-1314 | SHIM,DRIVE,T=0.80 | AR | AR | | | |
| 92180H | 92180-1349 | SHIM,DRIVEN,T=1.00 | AR | AR | | | |
| 92180I | 92180-1350 | SHIM,DRIVEN,T=1.20 | AR | AR | | | |
| 92180J | 92180-1351 | SHIM,DRIVE,T=1.00 | AR | AR | | | |
| 92180K | 92180-1352 | SHIM,DRIVE,T=1.20 | AR | AR | | | |
| 92210 | 92210-1294 | NUT,30MM | 2 | 2 | | | |
| 120 | 120CA0612 | BOLT-SOCKET,6X12 | 3 | 3 | | | |
| 480 | 480J2800 | CIRCLIP-TYPE-C,28MM | 1 | 1 | | | |
| 671 | 671D2585 | O RING | 1 | 1 | | | |

This catalog covers:

'08~'09 KVF750 D8F/D9F Engine

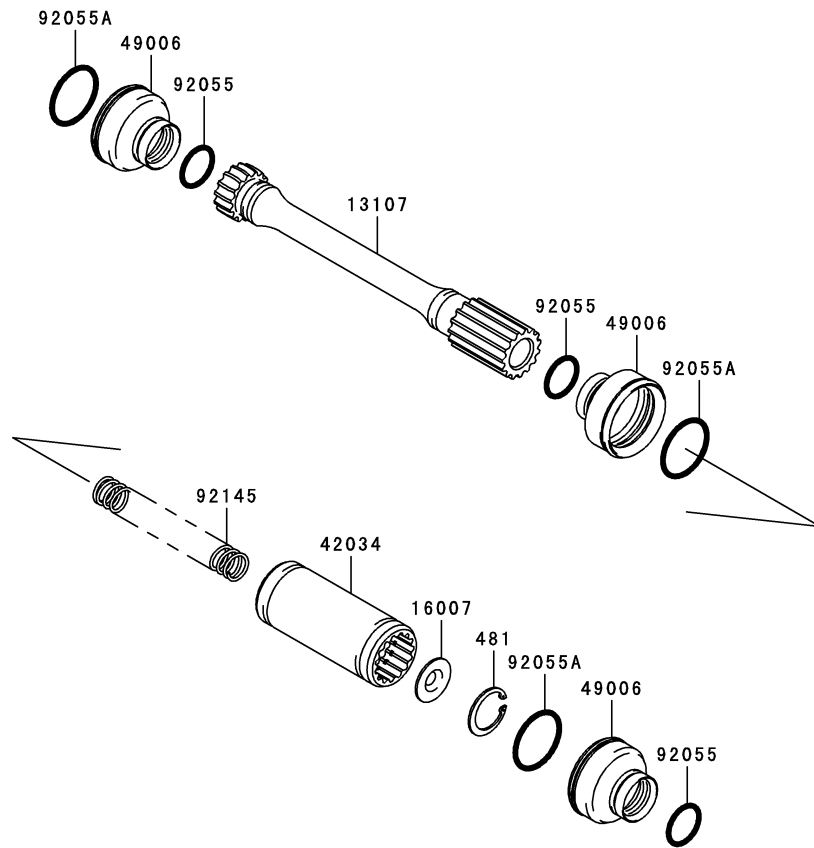
GRID NO.

D-4

This grid covers:

Drive Shaft-Propeller

E3135



| Ref. No. | Part No. | Description | Spec Code | Quantity-KVF750 | | | |
|----------|------------|-----------------------------|-----------|-----------------|-----|--|--|
| | | | | '08 | '09 | | |
| | | | | D8F | D9F | | |
| 13107 | 13107-1505 | SHAFT,FR PROPELLER SHAFT | 1 | 1 | | | |
| 16007 | 16007-1205 | SEAT-SPRING,PROPELLER SHAFT | 1 | 1 | | | |
| 42034 | 42034-1193 | COUPLING,PROPELLER | 1 | 1 | | | |
| 49006 | 49006-1362 | BOOT | 3 | 3 | | | |
| 92055 | 92055-1633 | RING-O,18X24X3 | 3 | 3 | | | |
| 92055A | 92055-1693 | RING-O,30X35X2.5 | 3 | 3 | | | |
| 92145 | 92145-1304 | SPRING,PROPELLER SHAFT | 1 | 1 | | | |
| 481 | 481J2500 | CIRCLIP-TYPE-C,25MM | 1 | 1 | | | |

This catalog covers:

'08~'09 KVF750 D8F/D9F Engine

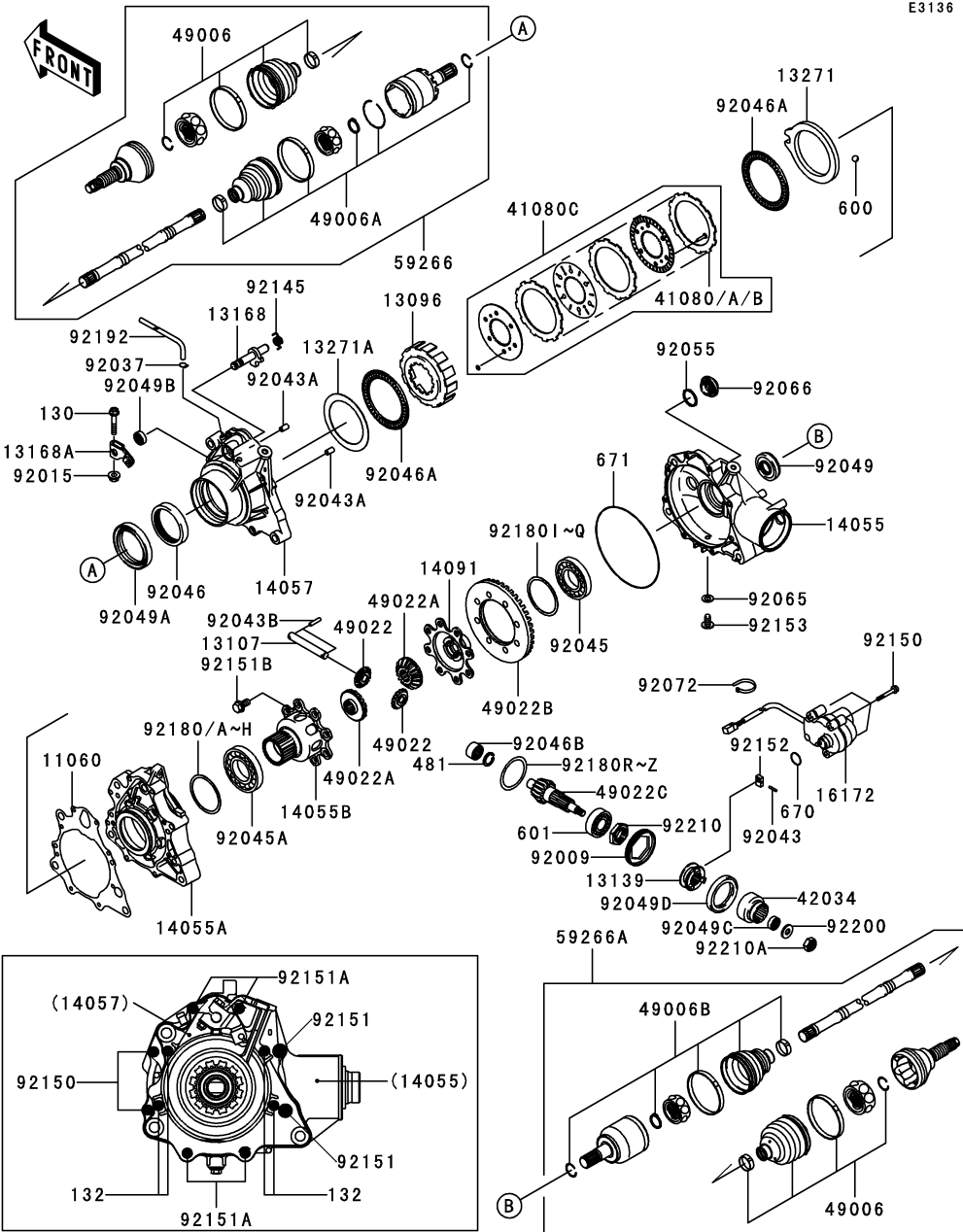
GRID NO.

D-5

This grid covers:

Drive Shaft-Front(1/3)

E3136



| Ref. No. | Part No. | Description | Quantity-KVF750 | | | |
|----------|------------|-----------------------------|-----------------|-----|-----|-----|
| | | | Spec Code | | '08 | '09 |
| | | | D8F | D9F | | |
| 11060 | 11060-1982 | GASKET,DIFF CASE | | | 1 | 1 |
| 13096 | 13096-1163 | HOUSING-CLUTCH,DISC | | | 1 | 1 |
| 13107 | 13107-0123 | SHAFT,CROSS | | | 1 | 1 |
| 13139 | 13139-1097 | SHIFTER,DIFFERENTIAL | | | 1 | 1 |
| 13168 | 13168-1724 | LEVER,DIFF | | | 1 | 1 |
| 13168A | 13168-1725 | LEVER,DIFFERENTIAL | | | 1 | 1 |
| 13271 | 13271-1497 | PLATE,CAM | | | 1 | 1 |
| 13271A | 13271-1503 | PLATE,DISC | | | 1 | 1 |
| 14055 | 14055-0014 | CASE-GEAR | | | 1 | 1 |
| 14055A | 14055-1155 | CASE-GEAR,CENTER | | | 1 | 1 |
| 14055B | 14055-1156 | CASE-GEAR,BEVEL,LH | | | 1 | 1 |
| 14057 | 14057-1004 | CASE-COMP-GEAR,DIFF,LH | | | 1 | 1 |
| 14091 | 14091-1197 | COVER,BEVEL,RH | | | 1 | 1 |
| 16172 | 16172-0007 | ACTUATOR | | | 1 | 1 |
| 41080 | 41080-1499 | DISC,T=1.20 | | | AR | AR |
| 41080A | 41080-1500 | DISC,T=1.80 | | | AR | AR |
| 41080B | 41080-1501 | DISC,T=2.40 | | | AR | AR |
| 41080C | 41080-1512 | DISC ASSY,DIFFERENTIAL LOCK | | | 1 | 1 |
| 42034 | 42034-1192 | COUPLING,BEVEL | | | 1 | 1 |
| 49006 | 49006-0062 | BOOT | | | 2 | 2 |
| | (OPTION) | | | | | |
| 49006A | 49006-0063 | BOOT | | | 1 | 1 |
| | (OPTION) | | | | | |
| 49006B | 49006-0068 | BOOT | | | 1 | 1 |
| | (OPTION) | | | | | |
| 49022 | 49022-1177 | GEAR-BEVEL,10T | | | 2 | 2 |
| 49022A | 49022-1178 | GEAR-BEVEL,16T | | | 2 | 2 |
| 49022B | 49022-1190 | GEAR-BEVEL,35T | | | 1 | 1 |
| 49022C | 49022-1201 | GEAR-BEVEL,8T | | | 1 | 1 |
| 59266 | 59266-0021 | JOINT-BALL | | | 1 | 1 |
| 59266A | 59266-0022 | JOINT-BALL | | | 1 | 1 |
| 92009 | 92009-1914 | SCREW,64MM | | | 1 | 1 |
| 92015 | 92015-1339 | NUT,LOCK,FLANGED,6MM | | | 1 | 1 |
| 92037 | 92037-1104 | CLAMPHOSE | | | 1 | 1 |
| 92043 | 92043-0083 | PIN,2X10.5 | | | 1 | 1 |
| 92043A | 92043-1263 | PIN,6.2X8X14 | | | 2 | 2 |
| 92043B | 92043-1575 | PIN | | | 2 | 2 |
| 92045 | 92045-1393 | BEARING-BALL,60/32 | | | 1 | 1 |
| 92045A | 92045-1394 | BEARING-BALL,6910 | | | 1 | 1 |
| 92046 | 92046-0028 | BEARING-NEEDLE | | | 1 | 1 |

This catalog covers:

'08~'09 KVF750 D8F/D9F Engine

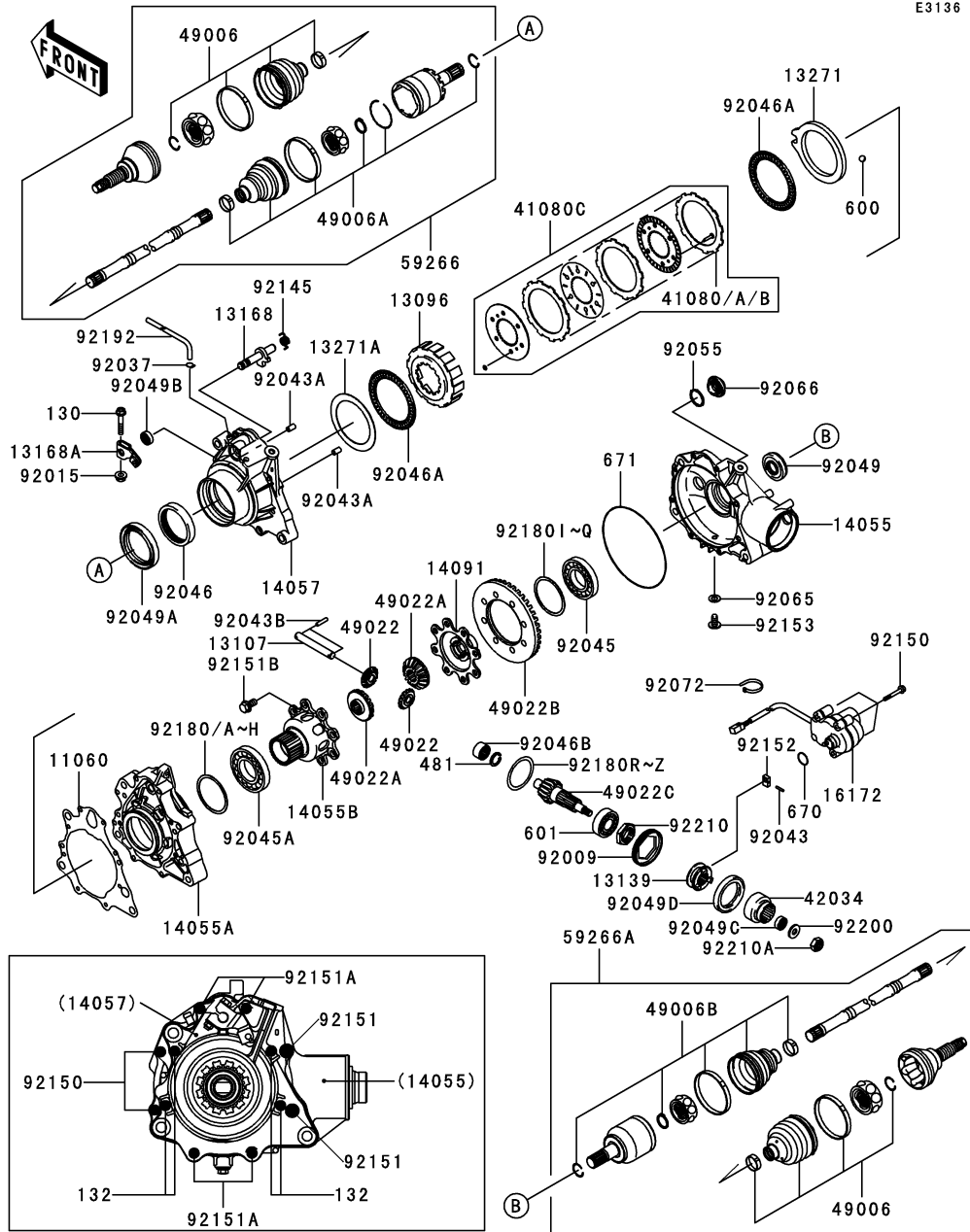
GRID NO.

D-6

This grid covers:

Drive Shaft-Front(2/3)

E3136



| Ref. No. | Part No. | Description | Quantity-KVF750 | | | |
|----------|------------|--------------------------|-----------------|-----|-----|-----|
| | | | Spec Code | | '08 | '09 |
| | | | D8F | D9F | | |
| 92046A | 92046-1286 | BEARING-NEEDLE,AK1116 | | | 2 | 2 |
| 92046B | 92046-1297 | BEARING-NEEDLE,AJ501515W | | | 1 | 1 |
| 92049 | 92049-1534 | SEAL-OIL,SDD7 22X48X7HS | | | 1 | 1 |
| 92049A | 92049-1536 | SEAL-OIL,HTCY 62X81X10.5 | | | 1 | 1 |
| 92049B | 92049-1550 | SEAL-OIL,TC 12X22X7 | | | 1 | 1 |
| 92049C | 92049-1572 | SEAL-OIL,KB 13X19X13 | | | 1 | 1 |
| 92049D | 92049-1573 | SEAL-OIL,TCY 48X65X8 | | | 1 | 1 |
| 92055 | 92055-0122 | RING-O | | | 1 | 1 |
| 92065 | 92065-023 | GASKET | | | 1 | 1 |
| 92066 | 92066-1303 | PLUG | | | 1 | 1 |
| 92072 | 92072-1239 | BAND,L=188 | | | 1 | 1 |
| 92145 | 92145-1344 | SPRING,DIFF RETURN | | | 1 | 1 |
| 92150 | 92150-1884 | BOLT,6X45 | | | 5 | 5 |
| 92151 | 92151-1794 | BOLT,8X50 | | | 2 | 2 |
| 92151A | 92151-1795 | BOLT,6X60 | | | 4 | 4 |
| 92151B | 92151-1910 | BOLT,10X19.5 | | | 8 | 8 |
| 92152 | 92152-1349 | COLLAR | | | 1 | 1 |
| 92153 | 92153-0870 | BOLT,8X15 | | | 1 | 1 |
| 92180 | 92180-1390 | SHIM,62X71X0.15 | AR | | AR | AR |
| 92180A | 92180-1391 | SHIM,62X71X0.20 | AR | | AR | AR |
| 92180B | 92180-1392 | SHIM,62X71X0.50 | AR | | AR | AR |
| 92180C | 92180-1393 | SHIM,62X71X0.70 | AR | | AR | AR |
| 92180D | 92180-1394 | SHIM,62X71X0.80 | AR | | AR | AR |
| 92180E | 92180-1395 | SHIM,62X71X0.90 | AR | | AR | AR |
| 92180F | 92180-1396 | SHIM,62X71X1.00 | AR | | AR | AR |
| 92180G | 92180-1397 | SHIM,62X71X1.10 | AR | | AR | AR |
| 92180H | 92180-1398 | SHIM,62X71X1.20 | AR | | AR | AR |
| 92180I | 92180-1399 | SHIM,32X42X0.15 | AR | | AR | AR |
| 92180J | 92180-1400 | SHIM,32X42X0.20 | AR | | AR | AR |
| 92180K | 92180-1401 | SHIM,32X42X0.50 | AR | | AR | AR |
| 92180L | 92180-1402 | SHIM,32X42X0.70 | AR | | AR | AR |
| 92180M | 92180-1403 | SHIM,32X42X0.80 | AR | | AR | AR |
| 92180N | 92180-1404 | SHIM,32X42X0.90 | AR | | AR | AR |
| 92180O | 92180-1405 | SHIM,32X42X1.00 | AR | | AR | AR |
| 92180P | 92180-1406 | SHIM,32X42X1.10 | AR | | AR | AR |
| 92180Q | 92180-1407 | SHIM,32X42X1.20 | AR | | AR | AR |
| 92180R | 92180-1408 | SHIM,50X61X0.15 | AR | | AR | AR |
| 92180S | 92180-1409 | SHIM,50X61X0.20 | AR | | AR | AR |
| 92180T | 92180-1410 | SHIM,50X61X0.50 | AR | | AR | AR |
| 92180U | 92180-1411 | SHIM,50X61X0.70 | AR | | AR | AR |

This catalog covers:

'08~'09 KVF750 D8F/D9F Engine

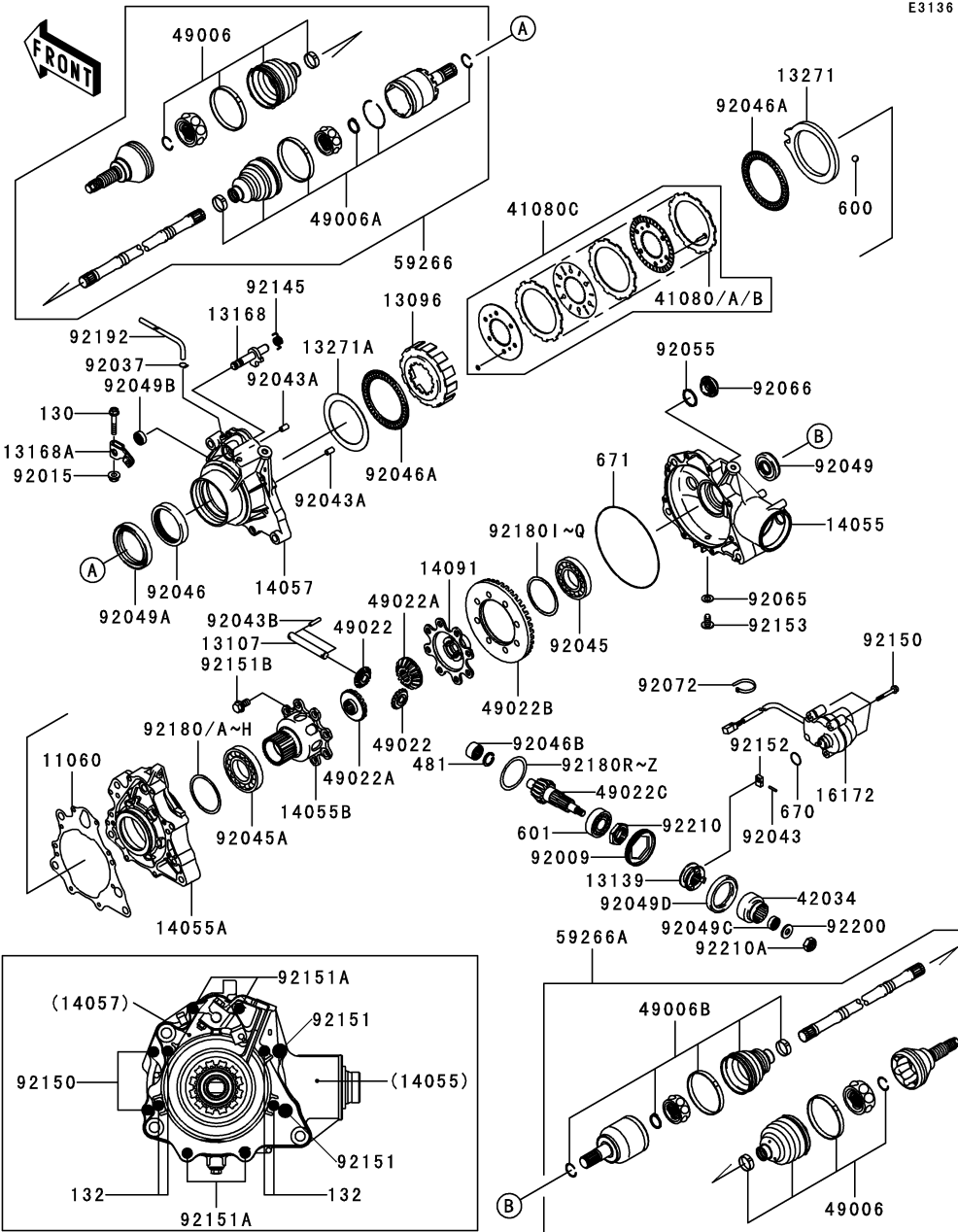
GRID NO.

D-7

This grid covers:

Drive Shaft-Front(3/3)

E3136



| Ref. No. | Part No. | Description | Spec Code | Quantity-KVF750 | | | |
|----------|------------|-------------------------|-----------|-----------------|-----|--|--|
| | | | | '08 | '09 | | |
| | | | | D8F | D9F | | |
| 92180V | 92180-1412 | SHIM,50X61X0.80 | AR | AR | | | |
| 92180W | 92180-1413 | SHIM,50X61X0.90 | AR | AR | | | |
| 92180X | 92180-1414 | SHIM,50X61X1.00 | AR | AR | | | |
| 92180Y | 92180-1415 | SHIM,50X61X1.10 | AR | AR | | | |
| 92180Z | 92180-1416 | SHIM,50X61X1.20 | AR | AR | | | |
| 92192 | 92192-0716 | TUBE,7X12X760 | 1 | 1 | | | |
| 92200 | 92200-1635 | WASHER,10X24X2.5 | 1 | 1 | | | |
| 92210 | 92210-1225 | NUT,25MM | 1 | 1 | | | |
| 92210A | 92210-1351 | NUT,LOCK,10MM | 1 | 1 | | | |
| 130 | 130BA0635 | BOLT-FLANGED,6X35 | 1 | 1 | | | |
| 132 | 132BD0630 | BOLT-FLANGED-SMALL,6X30 | 4 | 4 | | | |
| 481 | 481J2500 | CIRCLIP-TYPE-C,25MM | 1 | 1 | | | |
| 600 | 600A1100 | BALL-STEEL,11/32" | 6 | 6 | | | |
| 601 | 601A6305 | BEARING-BALL,#6305 | 1 | 1 | | | |
| 670 | 670D3022 | O RING | 1 | 1 | | | |
| 671 | 671D25145 | O RING | 1 | 1 | | | |

This catalog covers:

'08~'09 KVF750 D8F/D9F Engine

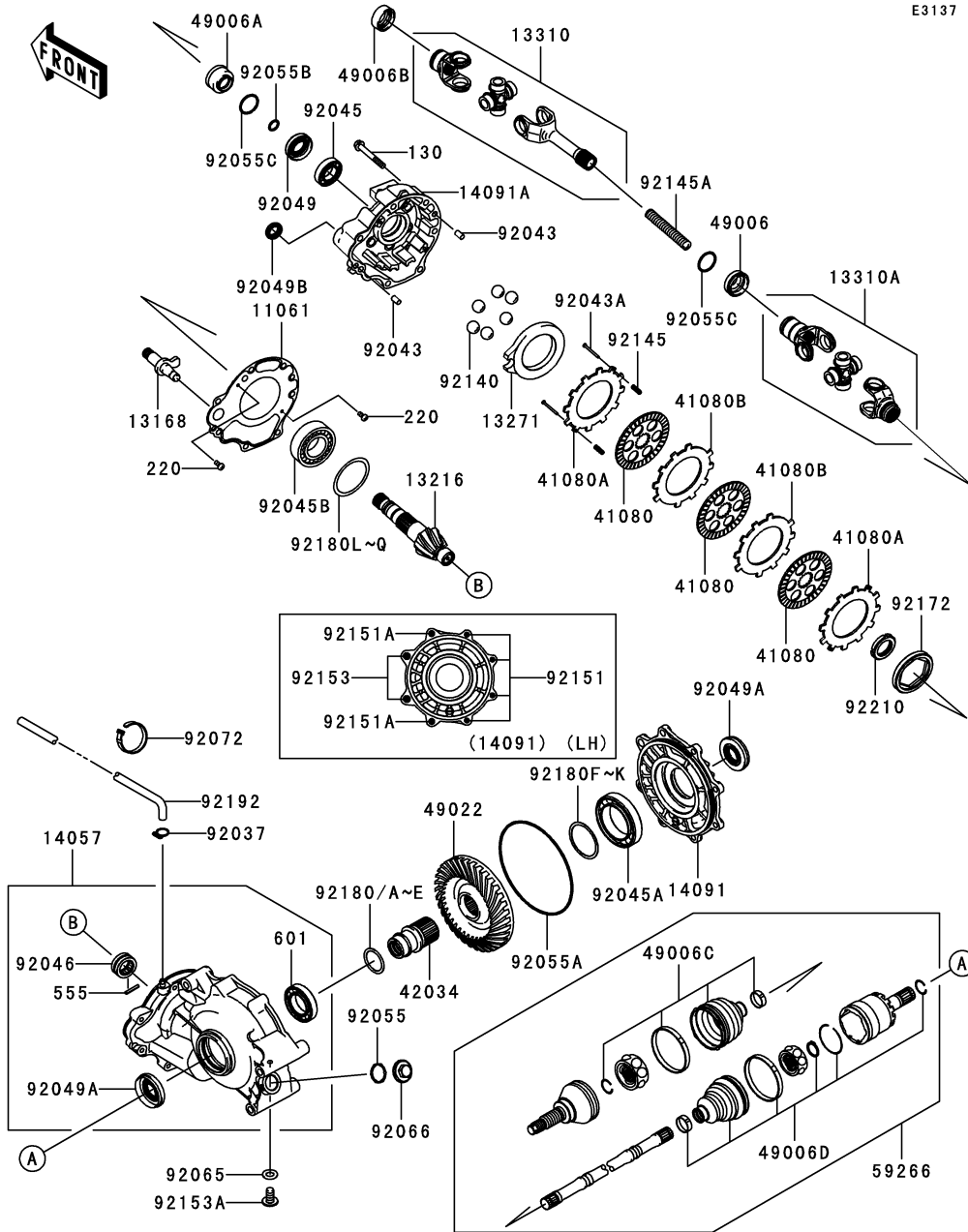
GRID NO.

D-8

This grid covers:

Drive Shaft-Rear(1/2)

E3137



| Ref. No. | Part No. | Description | Quantity-KVF750 | | | |
|----------|------------|----------------------------|-----------------|-----|-----|-----|
| | | | Spec Code | | '08 | '09 |
| | | | D8F | D9F | | |
| 11061 | 11061-0059 | GASKET,SOHT METAL | 1 | 1 | | |
| 13168 | 13168-0042 | LEVER,BRAKE | 1 | 1 | | |
| 13216 | 13216-0017 | GEAR-COMP | 1 | 1 | | |
| 13271 | 13271-0539 | PLATE,CAM | 1 | 1 | | |
| 13310 | 13310-0013 | SHAFT-ASSY,ENGINE SIDE | 1 | 1 | | |
| 13310A | 13310-0014 | SHAFT-ASSY,GEAR-ASSY SIDE | 1 | 1 | | |
| 14057 | 14057-0002 | CASE-COMP-GEAR | 1 | 1 | | |
| 14091 | 14091-0142 | COVER,RH | 1 | 1 | | |
| 14091A | 14091-0143 | COVER,FR | 1 | 1 | | |
| 41080 | 41080-1482 | DISC,FRICITION | 3 | 3 | | |
| 41080A | 41080-1483 | DISC,PRESSURE | 2 | 2 | | |
| 41080B | 41080-1484 | DISC,SEPARATER | 2 | 2 | | |
| 42034 | 42034-0006 | COUPLING | 1 | 1 | | |
| 49006 | 49006-0007 | BOOT | 1 | 1 | | |
| 49006A | 49006-0008 | BOOT | 1 | 1 | | |
| 49006B | 49006-0021 | BOOT | 1 | 1 | | |
| 49006C | 49006-0064 | BOOT,UJ | 2 | 2 | | |
| 49006D | 49006-0065 | (OPTION) BOOT,DOJ | 2 | 2 | | |
| 49022 | 49022-0009 | (OPTION) GEAR-BEVEL,35T | 1 | 1 | | |
| 59266 | 59266-0023 | JOINT-BALL | 2 | 2 | | |
| 92037 | 92037-1104 | CLAMP,HOSE | 1 | 1 | | |
| 92043 | 92043-1567 | PIN,8X14 | 2 | 2 | | |
| 92043A | 92043-1617 | PIN,3X35 | 2 | 2 | | |
| 92045 | 92045-0077 | BEARING-BALL,#6005 | 1 | 1 | | |
| 92045A | 92045-0078 | BEARING-BALL,55X90X18 | 1 | 1 | | |
| 92045B | 92045-0099 | BEARING-BALL,BX30-1C3 UR3 | 1 | 1 | | |
| 92046 | 92046-1280 | BEARING-NEEDLE,AH502504A | 1 | 1 | | |
| 92049 | 92049-0028 | SEAL-OIL,HTGY 24X45X9.5 | 1 | 1 | | |
| 92049A | 92049-0029 | SEAL-OIL,SDD7 25X57X7 HS | 2 | 2 | | |
| 92049B | 92049-1537 | SEAL-OIL,TC17X28X6 | 1 | 1 | | |
| 92055 | 92055-0122 | RING-O | 1 | 1 | | |
| 92055A | 92055-1631 | RING-O,158.5X3.70 | 1 | 1 | | |
| 92055B | 92055-1633 | RING-O,18X24X3 | 1 | 1 | | |
| 92055C | 92055-1693 | RING-O,30X35X2.5 | 2 | 2 | | |
| 92065 | 92065-023 | GASKET | 1 | 1 | | |
| 92066 | 92066-1303 | PLUG | 1 | 1 | | |
| 92072 | 92072-056 | BAND,L=186 | 5 | 5 | | |
| 92140 | 92140-1064 | BALL,D/O#12 | 6 | 6 | | |

This catalog covers:

'08~'09 KVF750 D8F/D9F Engine

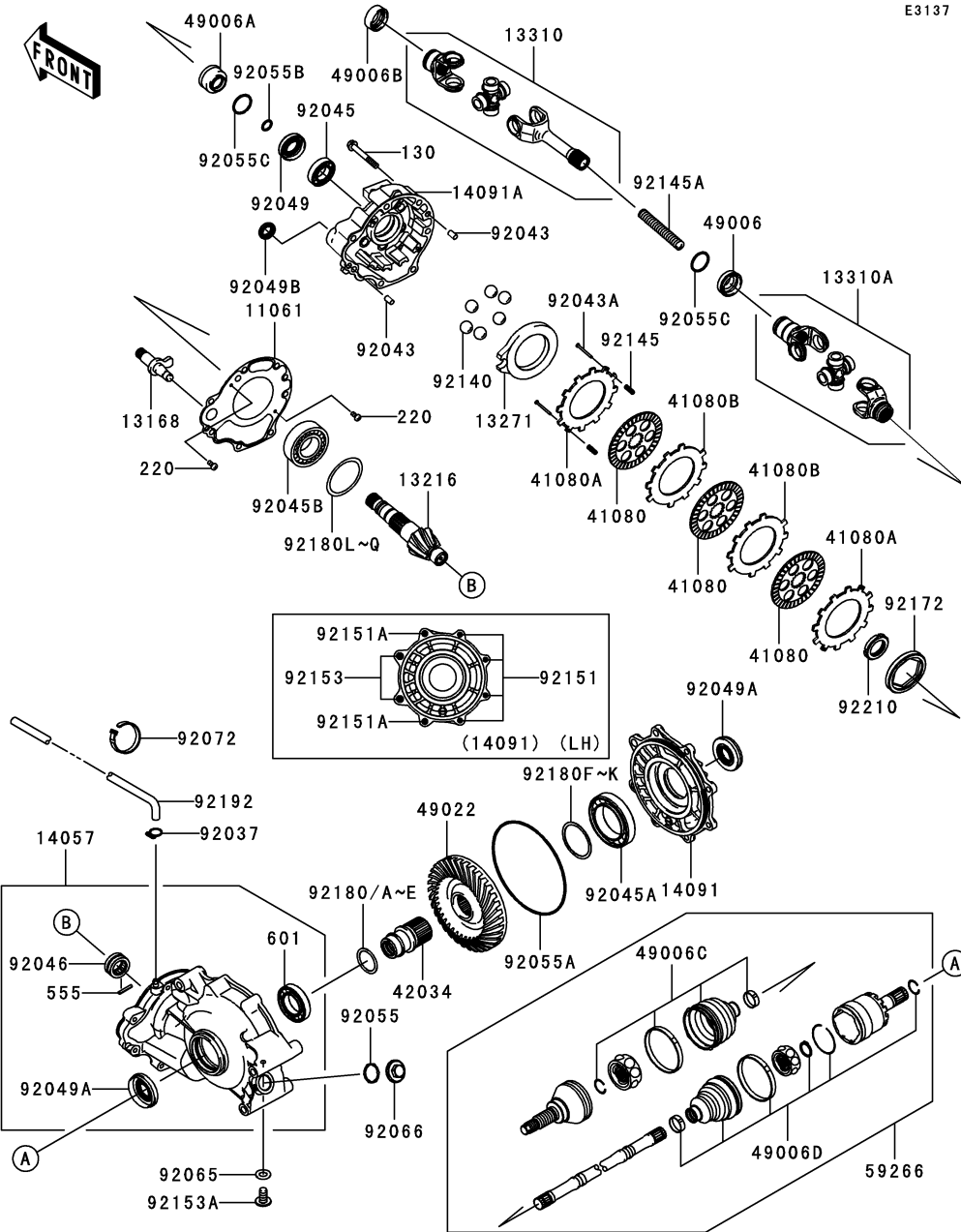
GRID NO.

D-9

This grid covers:

Drive Shaft-Rear(2/2)

E3137



| Ref. No. | Part No. | Description | Spec Code | Quantity-KVF750 | |
|----------|------------|------------------------|-----------|-----------------|-----|
| | | | | '08 | '09 |
| | | | | D8F | D9F |
| 92145 | 92145-1301 | SPRING,RR BRAKE | 2 | 2 | |
| 92145A | 92145-1304 | SPRING,PROPELLER SHAFT | 1 | 1 | |
| 92151 | 92151-1908 | BOLT,8X30 | 4 | 4 | |
| 92151A | 92151-1909 | BOLT,10X35 | 2 | 2 | |
| 92153 | 92153-0311 | BOLT,12X35 | 2 | 2 | |
| 92153A | 92153-0870 | BOLT,8X15 | 1 | 1 | |
| 92172 | 92172-0341 | SCREW,SET,75X10 | 1 | 1 | |
| 92180 | 92180-0161 | SHIM,35.2X44.0X1.2 | AR | AR | |
| 92180A | 92180-0162 | SHIM,35.2X44.0X1.0 | AR | AR | |
| 92180B | 92180-0163 | SHIM,35.2X44.0X0.8 | AR | AR | |
| 92180C | 92180-0164 | SHIM,35.2X44.0X0.5 | AR | AR | |
| 92180D | 92180-0165 | SHIM,35.2X44.0X0.2 | AR | AR | |
| 92180E | 92180-0166 | SHIM,35.2X44.0X0.15 | AR | AR | |
| 92180F | 92180-1417 | SHIM,55X64X0.15 | AR | AR | |
| 92180G | 92180-1418 | SHIM,55X64X0.20 | AR | AR | |
| 92180H | 92180-1419 | SHIM,55X64X0.50 | AR | AR | |
| 92180I | 92180-1420 | SHIM,55X64X0.80 | AR | AR | |
| 92180J | 92180-1421 | SHIM,55X64X1.00 | AR | AR | |
| 92180K | 92180-1422 | SHIM,55X64X1.20 | AR | AR | |
| 92180L | 92180-1423 | SHIM,60X72X0.15 | AR | AR | |
| 92180M | 92180-1424 | SHIM,60X72X0.20 | AR | AR | |
| 92180N | 92180-1425 | SHIM,60X72X0.50 | AR | AR | |
| 92180O | 92180-1426 | SHIM,60X72X0.80 | AR | AR | |
| 92180P | 92180-1427 | SHIM,60X72X1.00 | AR | AR | |
| 92180Q | 92180-1428 | SHIM,60X72X1.20 | AR | AR | |
| 92192 | 92192-0210 | TUBE,BREATHER,L=1680MM | 1 | 1 | |
| 92210 | 92210-1294 | NUT,30MM | 1 | 1 | |
| 130 | 130CD0860 | BOLT-FLANGED,8X60 | 7 | 7 | |
| 220 | 220AA0408 | SCREW-PAN-CROS,4X8 | 2 | 2 | |
| 555 | 555A0428 | PIN-SPRING | 1 | 1 | |
| 601 | 601A6007 | BEARING-BALL,#6007 | 1 | 1 | |

This catalog covers:

'08~'09 KVF750 D8F/D9F Engine

GRID NO.

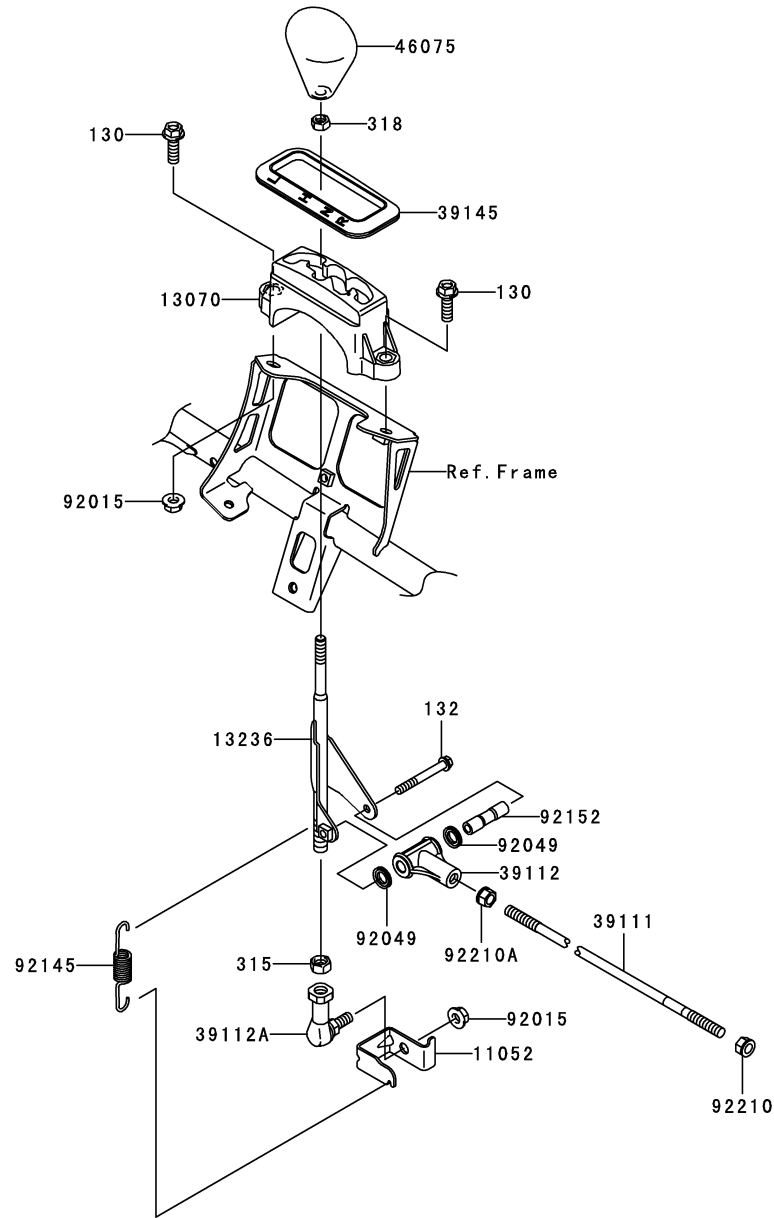
D-10

This grid covers:

Control

E7110

| Ref. No. | Part No. | Description | Spec Code | Quantity-KVF750 | | | |
|----------|------------|--------------------------|-----------|-----------------|-----|--|--|
| | | | | '08 | '09 | | |
| | | | | D8F | D9F | | |
| 11052 | 11052-1476 | BRACKET,CONTROL | 1 | 1 | | | |
| 13070 | 13070-1396 | GUIDE,CONTROL SHAFT | 1 | 1 | | | |
| 13236 | 13236-0034 | LEVER-COMP,SHIFT | 1 | 1 | | | |
| 39111 | 39111-1174 | ROD-TIE,SHIFT | 1 | 1 | | | |
| 39112 | 39112-1079 | RODEND-TIE | 1 | 1 | | | |
| 39112A | 39112-1084 | RODEND-TIE,CONTROL PIVOT | 1 | 1 | | | |
| 39145 | 39145-1121 | TRIM-SEAL,CONTROL GUIDE | 1 | 1 | | | |
| 46075 | 46075-0046 | GRIP,SHIFT | 1 | 1 | | | |
| 92015 | 92015-1432 | NUT,8MM | 2 | 2 | | | |
| 92049 | 92049-1458 | SEAL-OIL | 2 | 2 | | | |
| 92145 | 92145-0130 | SPRING | 1 | 1 | | | |
| 92152 | 92152-1222 | COLLAR,RODEND-TIE | 1 | 1 | | | |
| 92210 | 92210-1242 | NUT,8MM | 1 | 1 | | | |
| 92210A | 92210-1284 | NUT,LH,THREAD 8MM | 1 | 1 | | | |
| 130 | 130CD0825 | BOLT-FLANGED,8X25 | 2 | 2 | | | |
| 132 | 132BB0650 | BOLT-FLANGED-SMALL,6X50 | 1 | 1 | | | |
| 315 | 315AA1000 | NUT-HEX-FINE,10MM | 1 | 1 | | | |
| 318 | 318BA0800 | NUT-HEX-SMALL,8MM | 1 | 1 | | | |



This catalog covers:

'08~'09 KVF750 D8F/D9F Chassis

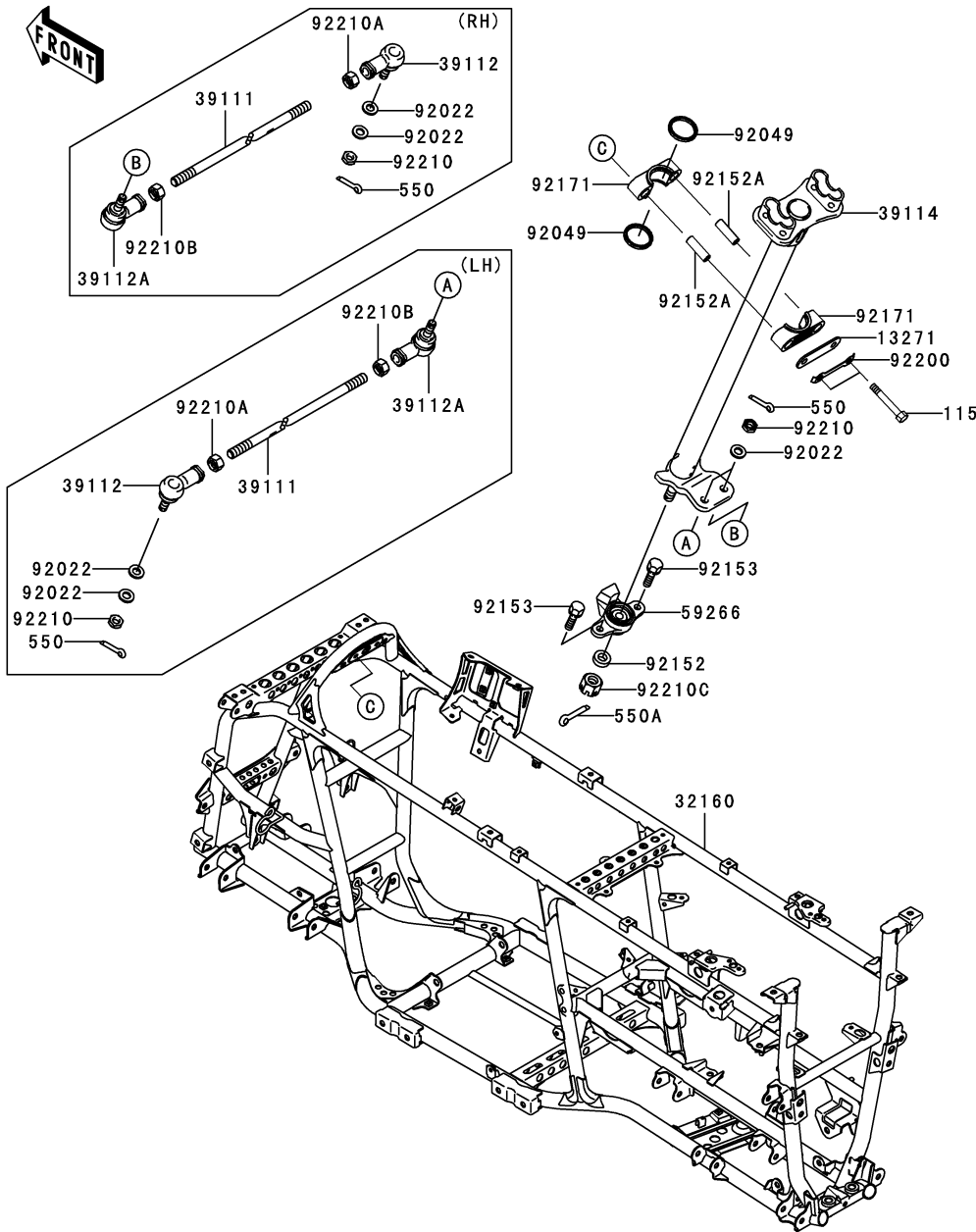
GRID NO.

E-3

This grid covers:

Frame

F2120



| Ref. No. | Part No. | Description | Quantity-KVF750 | | | |
|----------|------------|----------------------------|-----------------|-----|-----|-----|
| | | | Spec Code | | | |
| | | | '08 | '09 | D8F | D9F |
| 13271 | 13271-7506 | PLATE,STEERING,CLAMP | 1 | 1 | | |
| 32160 | 32160-0227 | FRAME-COMP | 1 | 1 | | |
| 39111 | 39111-0023 | ROD-TIE | 2 | 2 | | |
| 39112 | 39112-0009 | RODEND-TIE,RIGHT HANDED | 2 | 2 | | |
| 39112A | 39112-0010 | RODEND-TIE,LEFT HANDED | 2 | 2 | | |
| 39114 | 39114-0006 | SHAFT-COMP-STRG | 1 | 1 | | |
| 59266 | 59266-1125 | JOINT-BALL | 1 | 1 | | |
| 92022 | 92022-3742 | WASHER,10.2X20X1.5 | 6 | 6 | | |
| 92049 | 92049-7501 | SEAL-OIL,SR31.8X37.5X3.8LR | 2 | 2 | | |
| 92152 | 92152-1351 | COLLAR,12X21.3X7 | 1 | 1 | | |
| 92152A | 92152-7501 | COLLAR,9.1X13.95X42 | 2 | 2 | | |
| 92153 | 92153-1065 | BOLT,8X30 | 2 | 2 | | |
| 92171 | 92171-7501 | CLAMP,STEERING | 2 | 2 | | |
| 92200 | 92200-0384 | WASHER,STEERING CLAMP | 1 | 1 | | |
| 92210 | 92210-1184 | NUT,LOCK,10MM | 4 | 4 | | |
| 92210A | 92210-1385 | NUT,RIGHT HANDED | 2 | 2 | | |
| 92210B | 92210-1386 | NUT,LEFT HANDED | 2 | 2 | | |
| 92210C | 92210-7501 | NUT,12MM | 1 | 1 | | |
| 115 | 115CB0855 | BOLT-SMALL-UPSET,8X55 | 2 | 2 | | |
| 550 | 550AA2015 | PIN-COTTER,2.0X15 | 4 | 4 | | |
| 550A | 550AA3025 | PIN-COTTER,3.0X25 | 1 | 1 | | |

This catalog covers:

'08~'09 KVF750 D8F/D9F Chassis

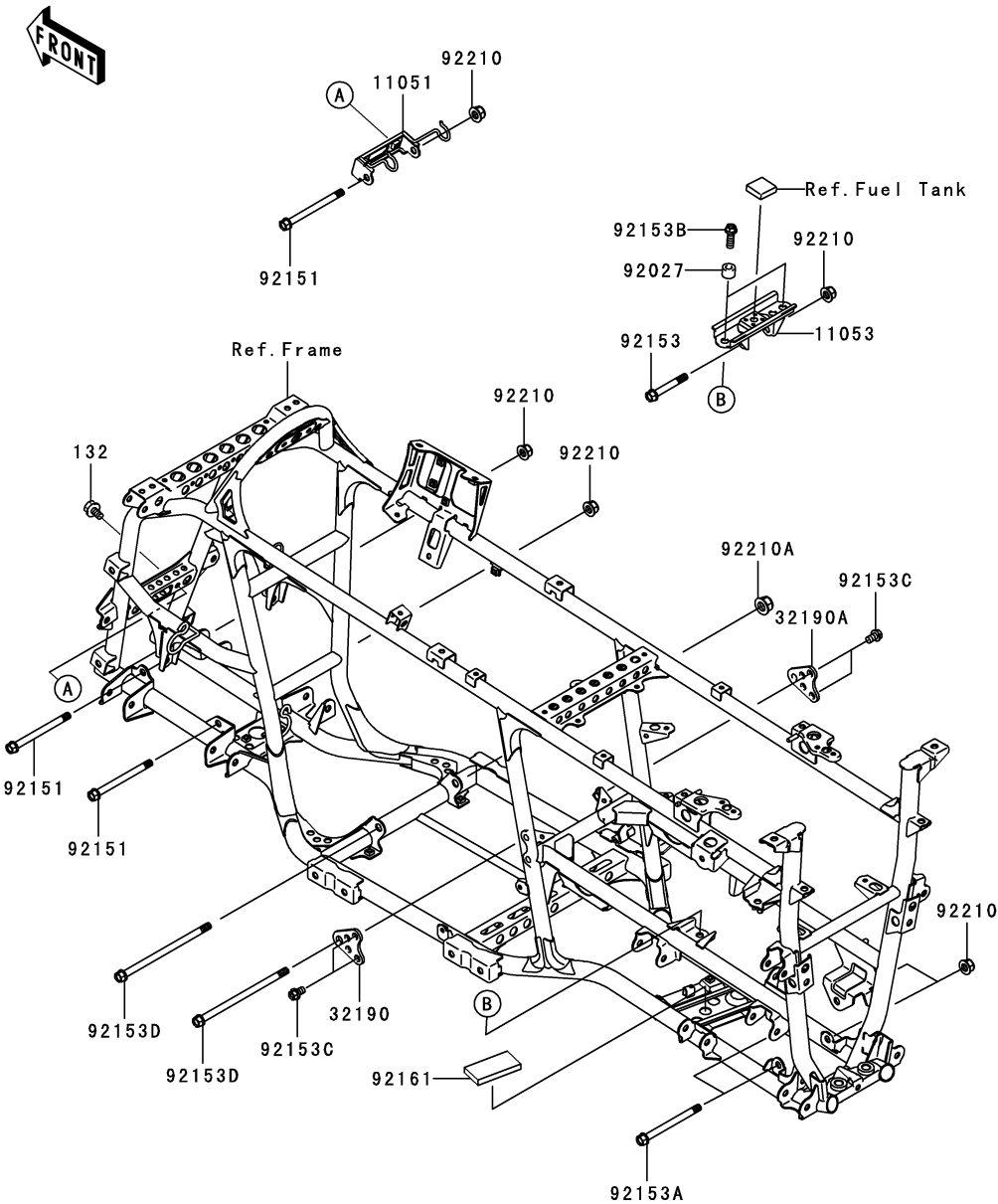
GRID NO.

E-4

This grid covers:

Engine Mount

F2122



| Ref. No. | Part No. | Description | Quantity-KVF750 | | | |
|----------|------------|--------------------------|-----------------|-----|--|--|
| | | | '08 | '09 | | |
| | | | D8F | D9F | | |
| 11051 | 11051-1929 | BRACKET,FRONT DIFF | 1 | 1 | | |
| 11053 | 11053-1592 | BRACKET,REAR DIFF,TOP | 1 | 1 | | |
| 32190 | 32190-0059 | BRACKET-ENGINE,RR,UPP,LH | 1 | 1 | | |
| 32190A | 32190-0060 | BRACKET-ENGINE,RR,UPP,RH | 1 | 1 | | |
| 92027 | 92027-1472 | COLLAR,FRONT AXLE,L=14.5 | 2 | 2 | | |
| 92151 | 92151-1914 | BOLT,FLANGED,10X120 | 3 | 3 | | |
| 92153 | 92153-0871 | BOLT,FLANGED,10X70 | 1 | 1 | | |
| 92153A | 92153-0872 | BOLT,FLANGED,10X120 | 2 | 2 | | |
| 92153B | 92153-0930 | BOLT,FLANGED,10X30 | 2 | 2 | | |
| 92153C | 92153-0991 | BOLT,FLANGED,10X16 | 4 | 4 | | |
| 92153D | 92153-1502 | BOLT,FLANGED,12X190 | 2 | 2 | | |
| 92161 | 92161-0215 | DAMPER | 1 | 1 | | |
| 92210 | 92210-1081 | NUT,LOCK,FLANGED,10MM | 6 | 6 | | |
| 92210A | 92210-1150 | NUT,LOCK,FLANGED,12MM | 1 | 1 | | |
| 132 | 132BB0814 | BOLT-FLANGED-SMALL,8X14 | 2 | 2 | | |

This catalog covers:

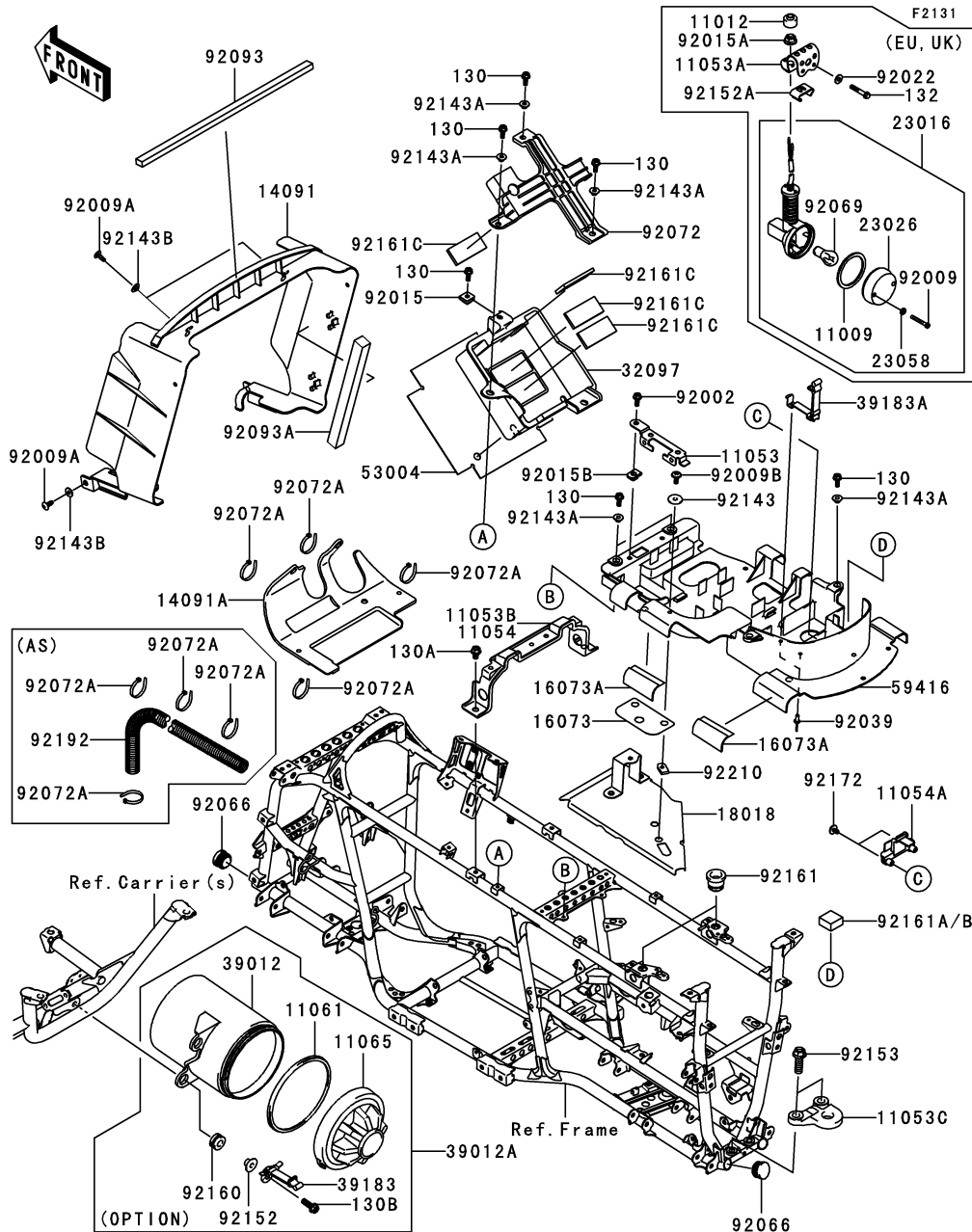
'08~'09 KVF750 D8F/D9F Chassis

GRID NO.

E-5

This grid covers:

Frame Fittings(1/2)



| Ref. No. | Part No. | Description | Spec Code | Quantity-KVF750 | | | |
|----------|------------|---------------------------|-----------|-----------------|-----|--|--|
| | | | | '08 | '09 | | |
| | | | | D8F | D9F | | |
| 11009 | 11009-1373 | GASKET | | | | | |
| | L----- | | EU,UK | 1 | 1 | | |
| 11012 | 11012-1367 | CAP | | | | | |
| | L----- | | EU,UK | 1 | 1 | | |
| 11053 | 11053-0937 | BRACKET,FUSE ASSY | | | | | |
| 11053A | 11053-0958 | BRACKET,REVERSE LAMP | | | | | |
| | L----- | | EU,UK | 1 | 1 | | |
| 11053B | 11053-0969 | BRACKET,SEAT&BATTERY BAND | | | | | |
| | | | | 1 | | | |
| 11053C | 11053-1638 | BRACKET,TRAILER HITCH | | | | | |
| | | | | 1 | 1 | | |
| 11054 | 11054-1236 | BRACKET,SEAT&BATTERY BAND | | | | | |
| | | | | 1 | 1 | | |
| 11054A | 11054-1318 | BRACKET,RELAY | | | | | |
| | | | | 1 | 1 | | |
| 11061 | 11061-0072 | GASKET,TOOL CASE | | | | | |
| | (OPTION) | | | 1 | 1 | | |
| 11065 | 11065-0088 | CAP,TOOL CASE | | | | | |
| | (OPTION) | | | 1 | 1 | | |
| 14091 | 14091-0338 | COVER,RADIATOR | | | | | |
| | | | | 1 | 1 | | |
| 14091A | 14091-0540 | COVER,AIR CLEANER | | | | | |
| | | | | 1 | 1 | | |
| 16073 | 16073-0035 | INSULATOR,ELECTRIC CASE | | | | | |
| | | | | 1 | 1 | | |
| 16073A | 16073-0036 | INSULATOR,ELECTRIC CASE | | | | | |
| | | | | 2 | 2 | | |
| 18018 | 18018-0009 | PLATE-HEAT GUARD | | | | | |
| | | | | 1 | 1 | | |
| 23016 | 23016-1182 | LAMP-ASSY,REVERSE | | | | | |
| | L----- | | EU,UK | 1 | 1 | | |
| 23026 | 23026-1227 | LENS,REVERSE LAMP | | | | | |
| | L----- | | EU,UK | 1 | 1 | | |
| 23058 | 23058-002 | WASHER,PLAIN,4MM | | | | | |
| | L----- | | EU,UK | 2 | 2 | | |
| 32097 | 32097-0009 | CASE-BATTERY | | | | | |
| | | | | 1 | 1 | | |
| 39012 | 39012-0005 | CASE-STORAGE | | | | | |
| | (OPTION) | | | 1 | 1 | | |
| 39012A | 39012-5013 | CASE-STORAGE,ASSY | | | | | |
| | (OPTION) | | | 1 | 1 | | |
| 39183 | 39183-0003 | BAND-ASSY,TOOL BAG | | | | | |
| | (OPTION) | | | 1 | 1 | | |
| 39183A | 39183-1065 | BAND-ASSY,TOOL BAG | | | | | |
| | | | | 1 | 1 | | |
| 53004 | 53004-0002 | MAT,BATTERY CASE | | | | | |
| | | | | 1 | 1 | | |
| 59416 | 59416-0004 | CASE-ELECTRIC | | | | | |
| | | | | 1 | 1 | | |
| 92002 | 92002-1571 | BOLT,6X16 | | | | | |
| | | | | 1 | 1 | | |
| 92009 | 92009-1069 | SCREW,TAPPING,4X25 | | | | | |
| | L----- | | EU,UK | 2 | 2 | | |
| 92009A | 92009-1166 | SCREW,TAPPING,6X16 | | | | | |
| | | | | 4 | 4 | | |
| 92009B | 92009-1621 | SCREW,6X16 | | | | | |
| | | | | 1 | 1 | | |
| 92015 | 92015-1094 | NUT,6MM | | | | | |
| | | | | 1 | 1 | | |
| 92015A | 92015-1356 | NUT,10MM | | | | | |
| | L----- | | EU,UK | 1 | 1 | | |

This catalog covers:

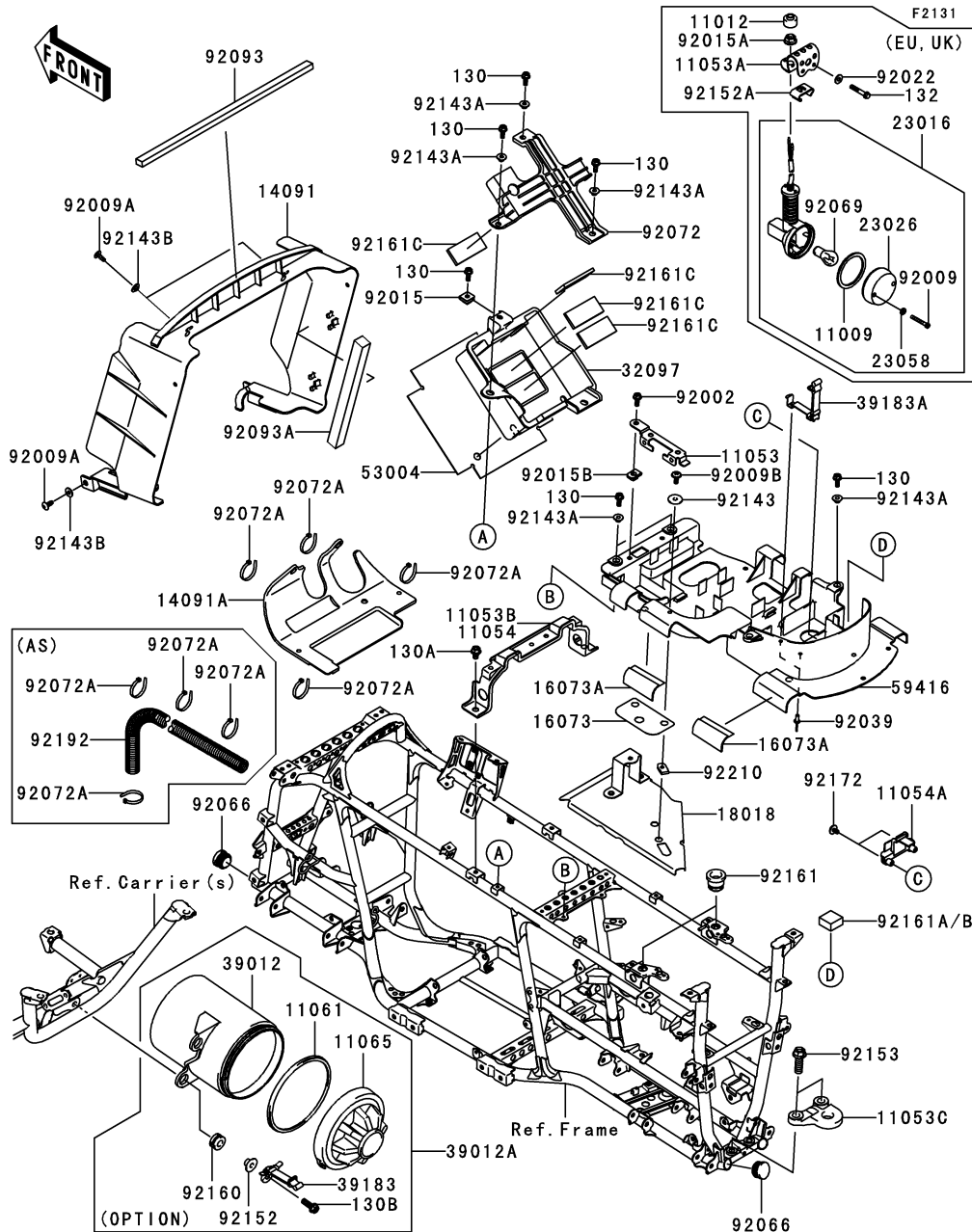
'08~'09 KVF750 D8F/D9F Chassis

GRID NO.

E-6

This grid covers:

Frame Fittings(2/2)



| Ref. No. | Part No. | Description | Spec Code | Quantity-KVF750 | | | |
|----------|------------|-------------------------|-----------|-----------------|-----|-------|-----|
| | | | | '08 | '09 | | |
| | | | | D8F | D9F | | |
| 92015B | 92015-1602 | NUT,6MM | | 1 | 1 | | |
| 92022 | 92022-1342 | WASHER,6.5X16X2 | | | | | |
| | L----- | | | | | EU,UK | 2 2 |
| 92039 | 92039-3719 | RIVET,4.8MM | | 2 | 2 | | |
| 92066 | 92066-0036 | PLUG | | 4 | 4 | | |
| 92069 | 92069-085 | BULB,12V 10W | | | | | |
| | L----- | | | | | EU,UK | 1 1 |
| 92072 | 92072-0033 | BAND,BATTERY | | 1 | 1 | | |
| 92072A | 92072-1239 | BAND,L=188 | | | | | |
| | L----- | | | | | EU,UK | 4 4 |
| | L----- | | | | | AS | 8 8 |
| 92093 | 92093-0024 | SEAL,L=408 | | 1 | 1 | | |
| 92093A | 92093-0028 | SEAL,L=250 | | 2 | 2 | | |
| 92143 | 92143-1025 | COLLAR,L=6.5 | | 1 | 1 | | |
| 92143A | 92143-1057 | COLLAR | | 7 | 7 | | |
| 92143B | 92143-1087 | COLLAR | | 4 | 4 | | |
| 92152 | 92152-0155 | COLLAR | | 2 | 2 | | |
| | (OPTION) | | | | | | |
| 92152A | 92152-0191 | COLLAR | | | | | |
| | L----- | | | | | EU,UK | 1 1 |
| 92153 | 92153-0847 | BOLT,FLANGED,12X35 | | 2 | 2 | | |
| 92160 | 92160-1151 | DAMPER | | 2 | 2 | | |
| | (OPTION) | | | | | | |
| 92161 | 92161-0048 | DAMPER | | 2 | 2 | | |
| 92161A | 92161-0572 | DAMPER,SENSOR | | 1 | | | |
| 92161B | 92161-0618 | DAMPER,SENSOR | | | 1 | | |
| 92161C | 92161-1127 | DAMPER | | 4 | 4 | | |
| 92172 | 92172-0175 | SCREW,TAPPING,5X16 | | 2 | 2 | | |
| 92192 | 92192-0572 | TUBE,CORRUGATED,L=840 | | | | | |
| | L----- | | | | | AS | 1 1 |
| 92210 | 92210-1331 | NUT | | 1 | 1 | | |
| 130 | 130BB0616 | BOLT-FLANGED,6X16 | | 8 | 8 | | |
| 130A | 130BB0812 | BOLT-FLANGED,8X12 | | 2 | 2 | | |
| 130B | 130BB0825 | BOLT-FLANGED,8X25 | | 2 | 2 | | |
| | (OPTION) | | | | | | |
| 132 | 132BB0635 | BOLT-FLANGED-SMALL,6X35 | | | | | |
| | L----- | | | | | EU,UK | 2 2 |

This catalog covers:

'08~'09 KVF750 D8F/D9F Chassis

GRID NO.

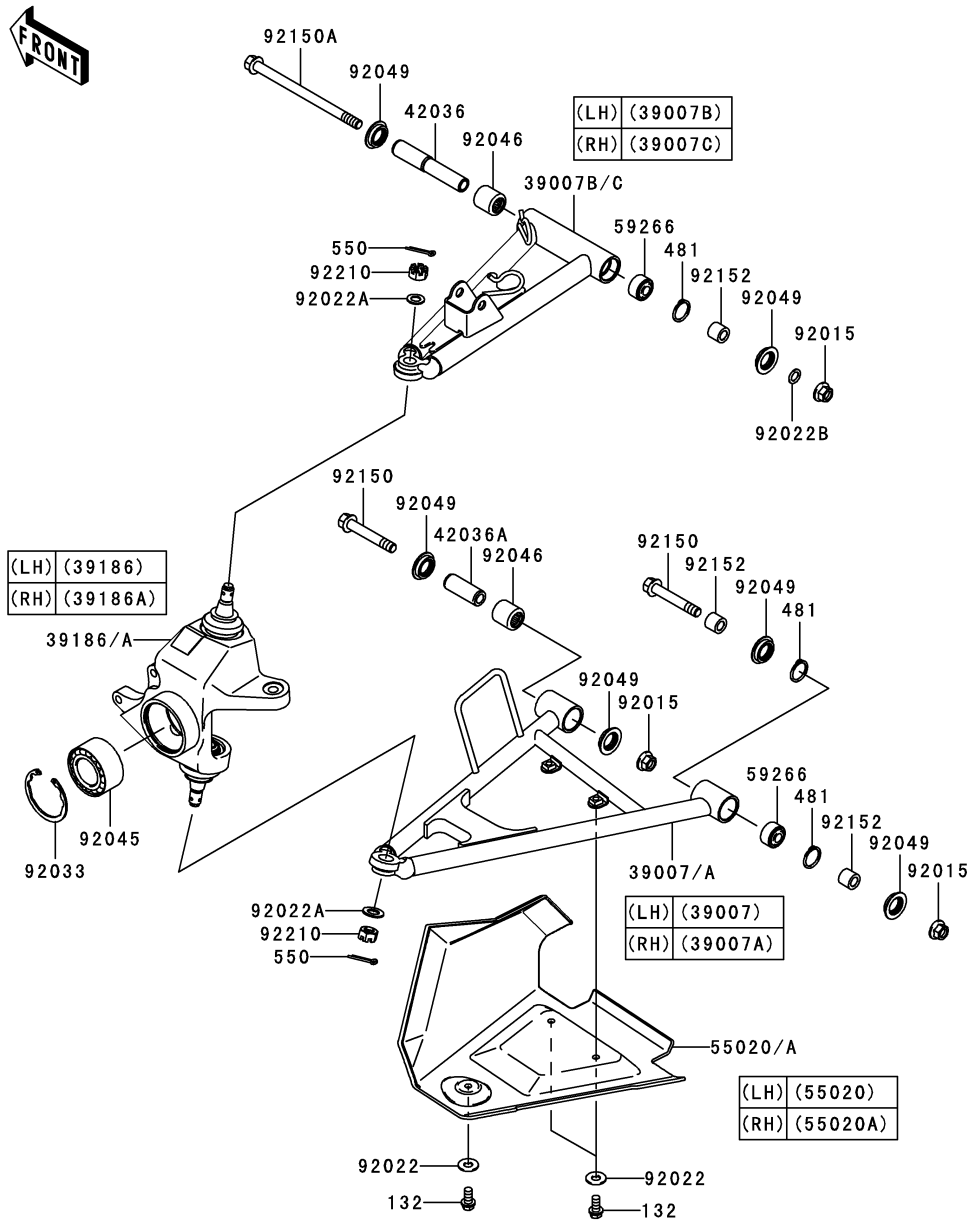
E-7

This grid covers:

Front Suspension

F2152

| Ref. No. | Part No. | Description | Spec Code | Quantity-KVF750 | | | |
|----------|---------------|----------------------------|-----------|-----------------|-----|--|--|
| | | | | '08 | '09 | | |
| | | | | D8F | D9F | | |
| 39007 | 39007-0064 | ARM-SUSP,FR,LWR,LH | 1 | 1 | | | |
| 39007A | 39007-0065 | ARM-SUSP,FR,LWR,RH | 1 | 1 | | | |
| 39007B | 39007-0066 | ARM-SUSP,FR,UPP,LH | 1 | 1 | | | |
| 39007C | 39007-0067 | ARM-SUSP,FR,UPP,RH | 1 | 1 | | | |
| 39186 | 39186-0033 | KNUCKLE ASSY,FR,LH | 1 | 1 | | | |
| 39186A | 39186-0034 | KNUCKLE ASSY,FR,RH | 1 | 1 | | | |
| 42036 | 42036-0016 | SLEEVE,SUSPENSION ARM | 2 | 2 | | | |
| 42036A | 42036-1376 | SLEEVE | 2 | 2 | | | |
| 55020 | 55020-0109-6Z | GUARD,FRONT ARM,LH,F.BLACK | 1 | 1 | | | |
| 55020A | 55020-0110-6Z | GUARD,FRONT ARM,RH,F.BLACK | 1 | 1 | | | |
| 59266 | 59266-0013 | JOINT-BALL | 4 | 4 | | | |
| 92015 | 92015-1415 | NUT,FLANGED,10MM | 6 | 6 | | | |
| 92022 | 92022-024 | WASHER,7X16X1.2 | 6 | 6 | | | |
| 92022A | 92022-1065 | WASHER,12.3X22X1.6 | 4 | 4 | | | |
| 92022B | 92022-1829 | WASHER,10.2X16X1 | AR | AR | | | |
| 92033 | 92033-1274 | RING-SNAP,55MM | 2 | 2 | | | |
| 92045 | 92045-0095 | BEARING-BALL,30BWD08ACA13 | 2 | 2 | | | |
| 92046 | 92046-1046 | BEARING-NEEDLE | 4 | 4 | | | |
| 92049 | 92049-1223 | SEAL-OIL,MHA17245.7F | 12 | 12 | | | |
| 92150 | 92150-1384 | BOLT,FLANGED,10X63 | 4 | 4 | | | |
| 92150A | 92150-1686 | BOLT,FLANGED,10X150 | 2 | 2 | | | |
| 92152 | 92152-1455 | COLLAR,10X17X14.5 | 6 | 6 | | | |
| 92210 | 92210-0395 | NUT,CASTLE,12MM | 4 | 4 | | | |
| 132 | 132BB0612 | BOLT-FLANGED-SMALL,6X12 | 6 | 6 | | | |
| 481 | 481J2400 | CIRCLIP | 6 | 6 | | | |
| 550 | 550AA3025 | PIN-COTTER,3.0X25 | 4 | 4 | | | |



This catalog covers:

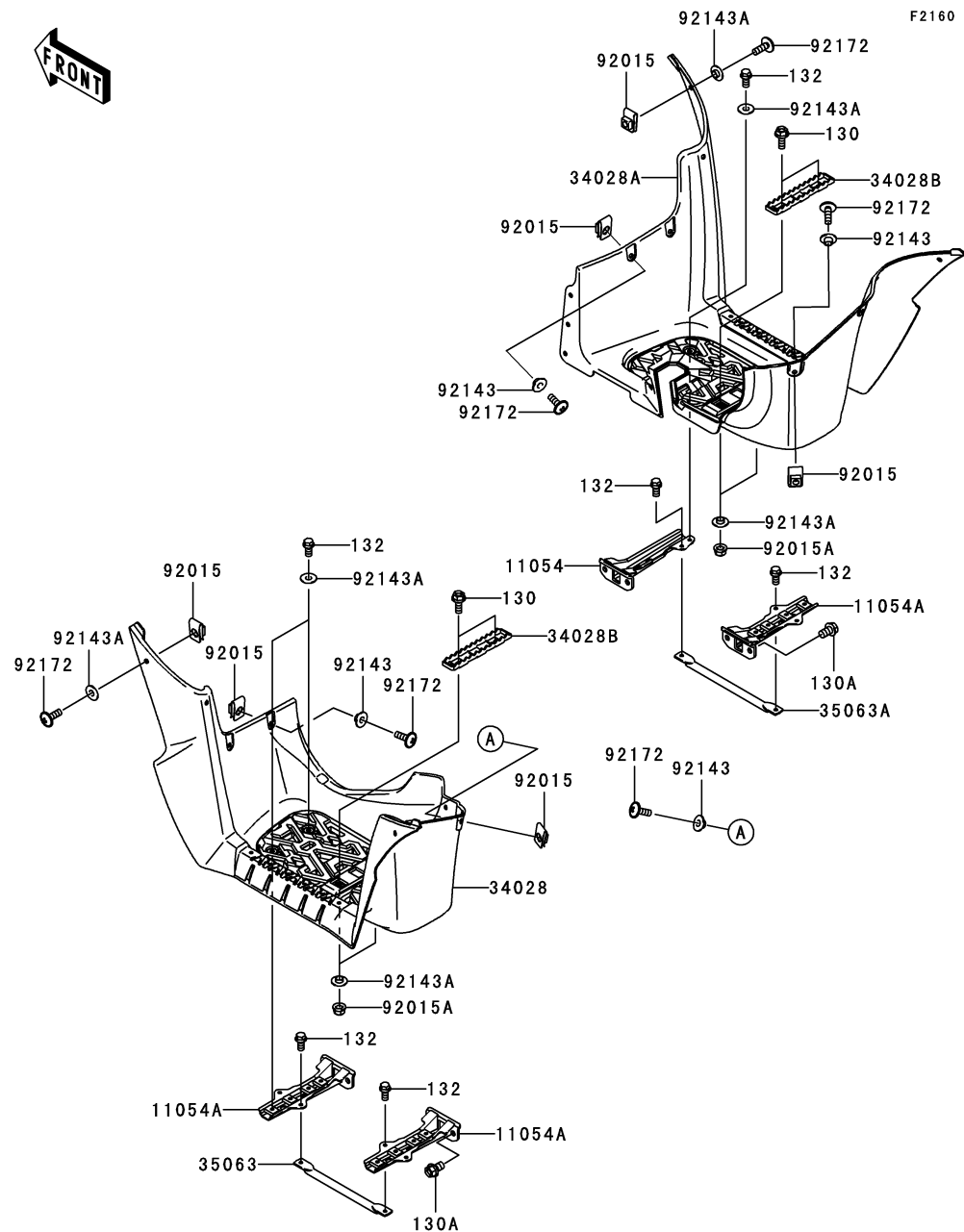
'08~'09 KVF750 D8F/D9F Chassis

GRID NO.

E-9

This grid covers:

Footrests



| Ref. No. | Part No. | Description | Spec Code | Quantity-KVF750 | | | |
|----------|---------------|----------------------------|-----------|-----------------|-----|----|--|
| | | | | '08 | '09 | | |
| | | | | D8F | D9F | | |
| 11054 | 11054-1229 | BRACKET,FOOT BOARD,RH | | 1 | | 1 | |
| 11054A | 11054-1232 | BRACKET,FOOT BOARD | | 3 | | 3 | |
| 34028 | 34028-0054-6Z | STEP,FOOT BOARD,LH,F.BLACK | | 1 | | 1 | |
| 34028A | 34028-0055-6Z | STEP,FOOT BOARD,RH,F.BLACK | | 1 | | 1 | |
| 34028B | 34028-0087-21 | STEP,FOOT PEG,F.BLACK | | 2 | | 2 | |
| 35063 | 35063-0394 | STAY,STEP,LH | | 1 | | 1 | |
| 35063A | 35063-0395 | STAY,STEP,RH | | 1 | | 1 | |
| 92015 | 92015-1602 | NUT,6MM | | 17 | | 17 | |
| 92015A | 92015-1603 | NUT,LOCK,FLANGED,6MM | | 4 | | 4 | |
| 92143 | 92143-1057 | COLLAR | | 4 | | 4 | |
| 92143A | 92143-1087 | COLLAR | | 24 | | 24 | |
| 92172 | 92172-0002 | SCREW,6X18 | | 17 | | 17 | |
| 130 | 130BB0616 | BOLT-FLANGED,6X16 | | 4 | | 4 | |
| 130A | 130CB1016 | BOLT-FLANGED,10X16 | | 8 | | 8 | |
| 132 | 132BB0612 | BOLT-FLANGED-SMALL,6X12 | | 11 | | 11 | |

This catalog covers:

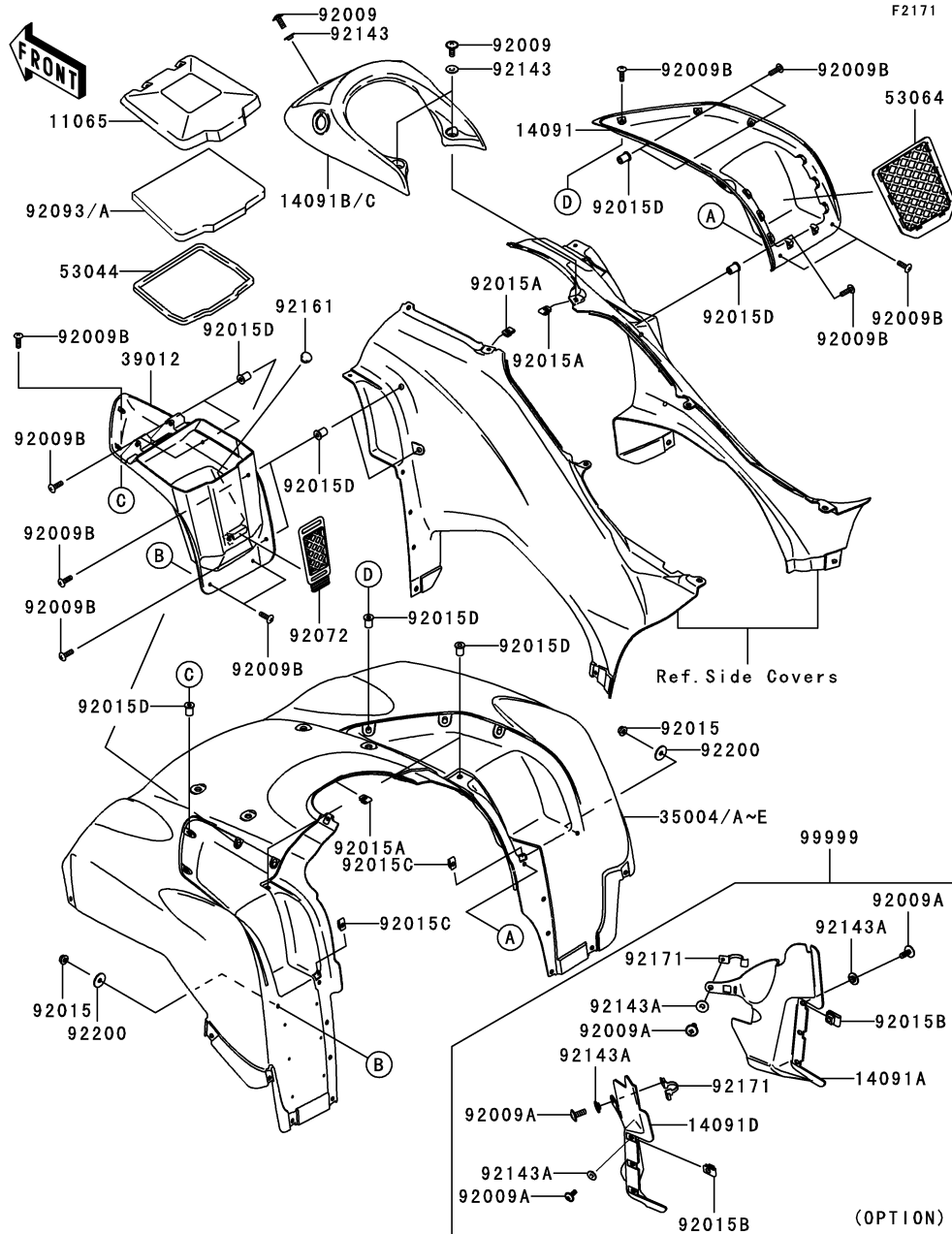
'08~'09 KVF750 D8F/D9F Chassis

GRID NO.

E-10

This grid covers:

Front Fender(s)(1/2)



| Ref. No. | Part No. | Description | Spec Code | Quantity-KVF750 | |
|----------|----------------|-------------------------|-----------|-----------------|-------|
| | | | | '08 | '09 |
| | | | | D8F | D9F |
| 11065 | 11065-0194-6Z | CAP,STORAGE,F.BLACK | 1 | 1 | |
| 14091 | 14091-0136-6Z | COVER,POCKET,RH,F.BLACK | 1 | 1 | |
| 14091A | 14091-0179 | COVER,SIDE,INNER,RH | 1 | 1 | |
| 14091B | 14091-0270-286 | COVER,TOP,W.GREEN | | | EU,UK |
| 14091C | 14091-0270-6Z | COVER,TOP,F.BLACK | 1 | 1 | |
| 14091D | 14091-0337 | COVER,SIDE,INNER,LH | 1 | 1 | |
| 35004 | 35004-0047-286 | FENDER-FRONT,W.GREEN | | | EU,UK |
| 35004A | 35004-0047-290 | FENDER-FRONT,L.GREEN | | | AS |
| 35004B | 35004-0047-839 | FENDER-FRONT,BLACK | | | EU,UK |
| 35004C | 35004-0106-286 | FENDER-FRONT,W.GREEN | | | EU,UK |
| 35004D | 35004-0106-290 | FENDER-FRONT,L.GREEN | | | AS |
| 35004E | 35004-0106-839 | FENDER-FRONT,BLACK | | | EU,UK |

This catalog covers:

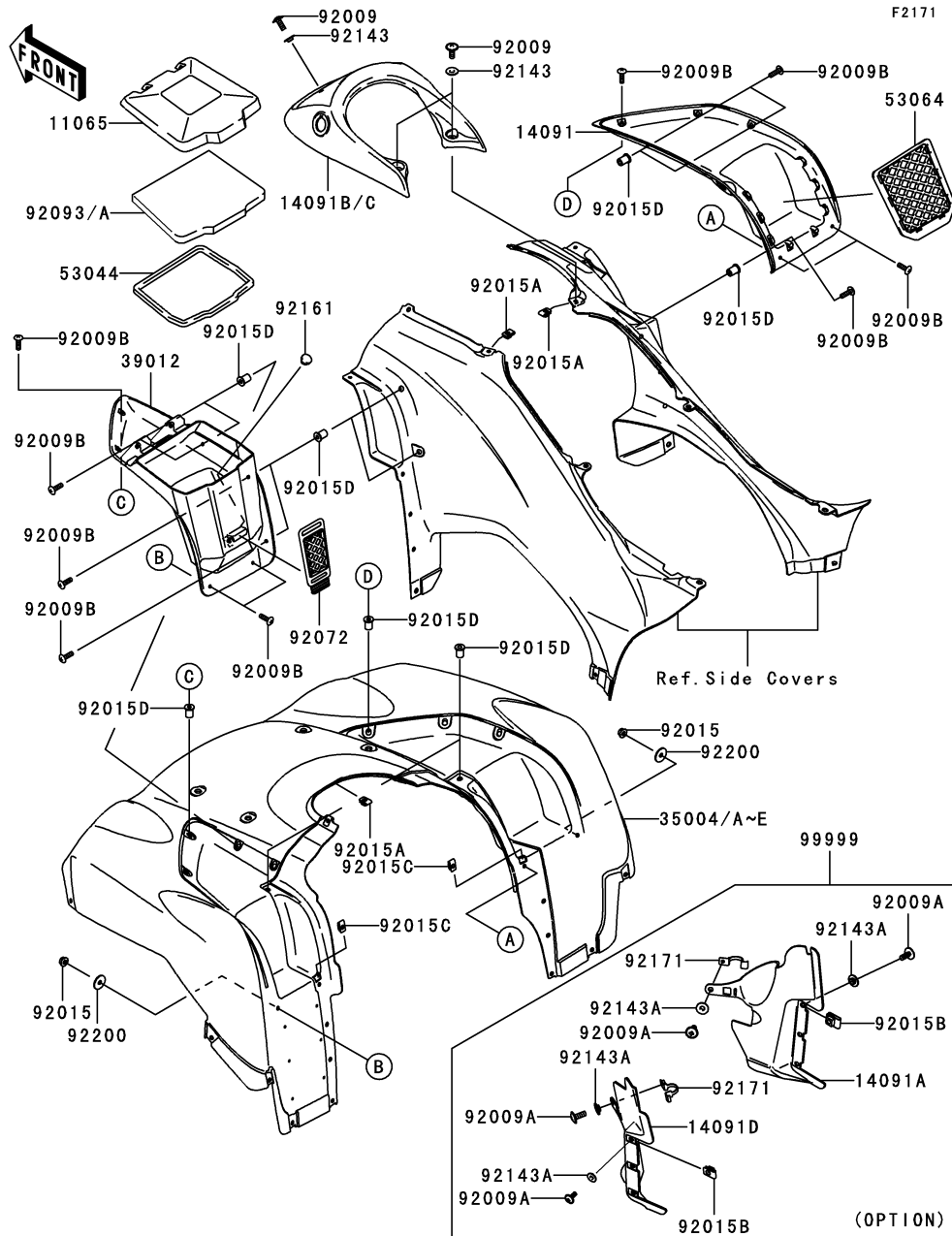
'08~'09 KVF750 D8F/D9F Chassis

GRID NO.

E-11

This grid covers:

Front Fender(s)(2/2)



| Ref. No. | Part No. | Description | Quantity-KVF750 | | | |
|----------|------------------------|----------------------|-----------------|-----|-----|-----|
| | | | Spec Code | | '08 | '09 |
| | | | D8F | D9F | | |
| 39012 | 39012-0015-6Z | CASE-STORAGE,F,BLACK | 1 | 1 | | |
| 53044 | 53044-0037 | TRIM,L=700 | 1 | 1 | | |
| 53064 | 53064-0002 | NET-CARGO | 1 | 1 | | |
| 92009 | 92009-1621 | SCREW,6X16 | 3 | 3 | | |
| 92009A | 92009-1621 (OPTION) | SCREW,6X16 | 8 | 8 | | |
| 92009B | 92009-1655 | SCREW,5X18 | 17 | 17 | | |
| 92015 | 92015-1259 | NUT,FLANGED,5MM | 2 | 2 | | |
| 92015A | 92015-1602 | NUT,6MM | 3 | 3 | | |
| 92015B | 92015-1602 (OPTION) | NUT,6MM | 6 | 6 | | |
| 92015C | 92015-1710 | NUT,5MM | 2 | 2 | | |
| 92015D | 92015-1757 | NUT,WELL,5MM | 15 | 15 | | |
| 92072 | 92072-0095 | BAND,STORAGE | 1 | 1 | | |
| 92093 | 92093-0118 | SEAL,STORAGE CAP | 1 | | | |
| 92093A | 92093-0136 | SEAL,STORAGE CAP | | 1 | | |
| 92143 | 92143-1087 | COLLAR | 3 | 3 | | |
| 92143A | 92143-1087 (OPTION) | COLLAR | 8 | 8 | | |
| 92161 | 92161-0586 | DAMPER | 1 | 1 | | |
| 92171 | 92171-0223 (OPTION) | CLAMP | 2 | 2 | | |
| 92200 | 92200-0284 | WASHER,5.5X20X1.2 | 2 | 2 | | |
| 99999 | 99999-0055 (OPTION) | INNER FENDER KIT | 1 | 1 | | |

This catalog covers:

'08~'09 KVF750 D8F/D9F Chassis

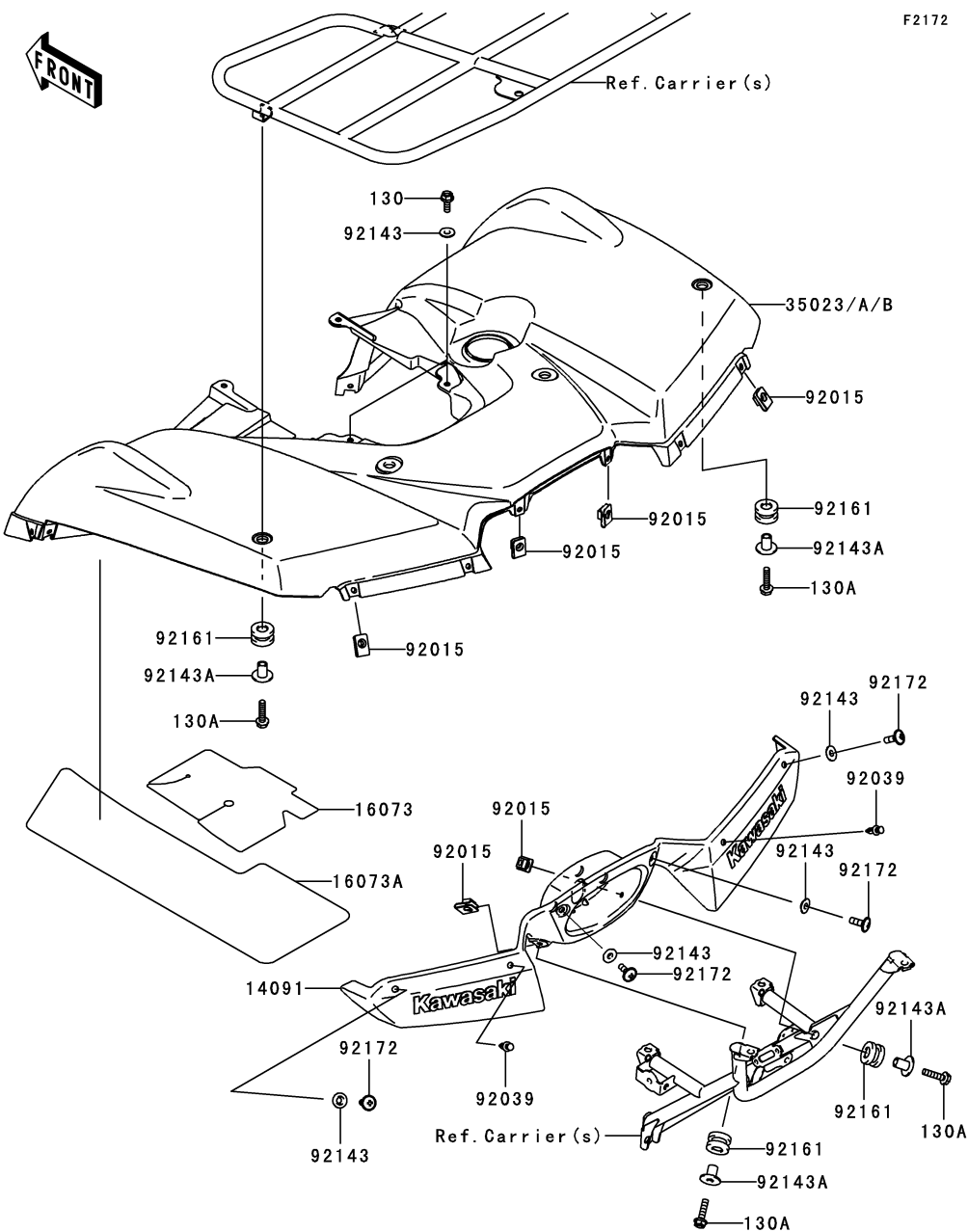
GRID NO.

E-12

This grid covers:

Rear Fender(s)

F2172



| Ref. No. | Part No. | Description | Spec Code | Quantity-KVF750 | | | |
|----------|----------------|-------------------------------|-----------|-----------------|-----|--|--|
| | | | | '08 | '09 | | |
| | | | | D8F | D9F | | |
| 14091 | 14091-0252-6Z | COVER, TAIL LAMP, F. BLACK | | 1 | 1 | | |
| 16073 | 16073-0031 | INSULATOR, REAR FENDER, INNER | | 1 | 1 | | |
| 16073A | 16073-0032 | INSULATOR, REAR FENDER, OUTER | | 1 | 1 | | |
| 35023 | 35023-0050-286 | FENDER-REAR, W. GREEN | | | | | |
| | | L----- EU, UK | | 1 | 1 | | |
| 35023A | 35023-0050-290 | FENDER-REAR, L. GREEN | | | | | |
| | | L----- AS | | 1 | 1 | | |
| 35023B | 35023-0050-839 | FENDER-REAR, BLACK | | | | | |
| | | L----- EU, UK | | 1 | 1 | | |
| 92015 | 92015-1602 | NUT, 6MM | | 6 | 6 | | |
| 92039 | 92039-1229 | RIVET | | 2 | 2 | | |
| 92143 | 92143-1087 | COLLAR | | 6 | 6 | | |
| 92143A | 92143-1960 | COLLAR | | 4 | 4 | | |
| 92161 | 92161-0106 | DAMPER | | 4 | 4 | | |
| 92172 | 92172-0002 | SCREW, 6X18 | | 4 | 4 | | |
| 130 | 130BB0616 | BOLT-FLANGED, 6X16 | | 2 | 2 | | |
| 130A | 130BB0625 | BOLT-FLANGED, 6X25 | | 4 | 4 | | |

This catalog covers:

'08~'09 KVF750 D8F/D9F Chassis

GRID NO.

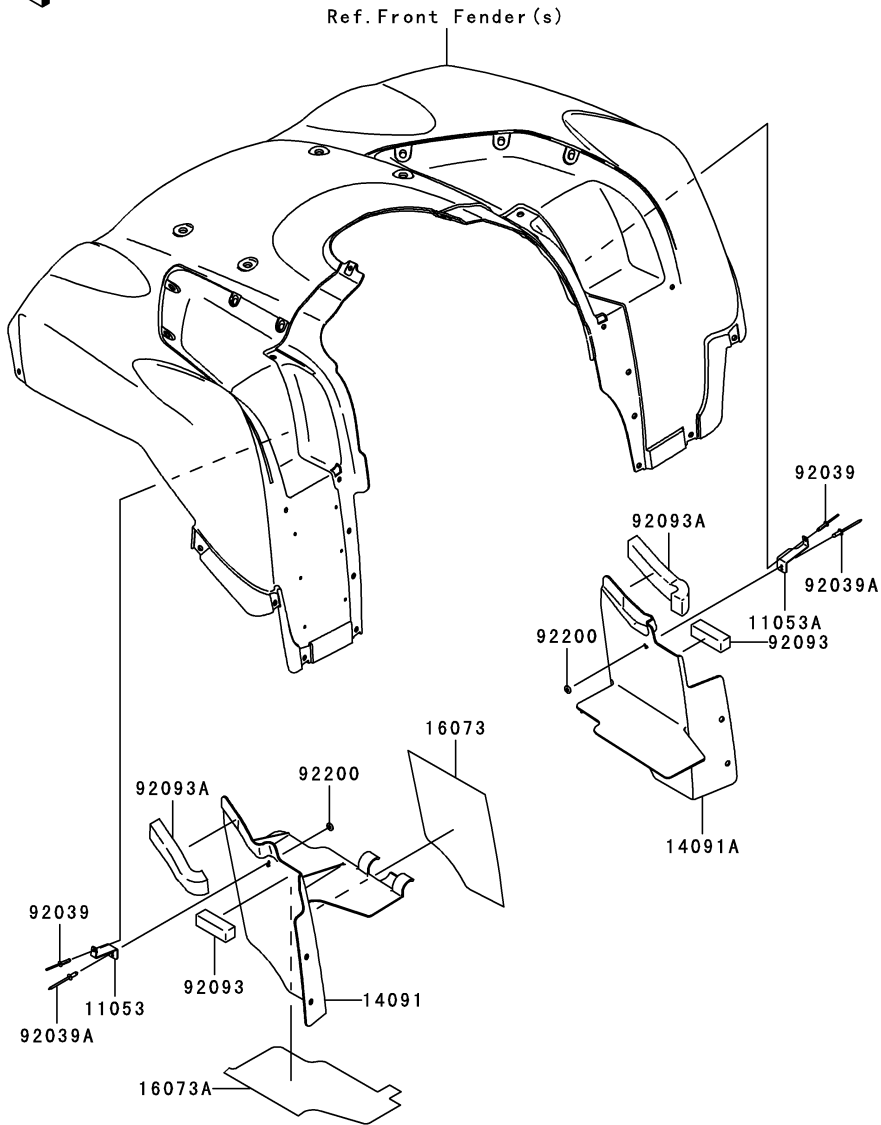
E-13

This grid covers:

Flap

F2173

| Ref. No. | Part No. | Description | Spec Code | Quantity-KVF750 | | | |
|----------|------------|-----------------------------|-----------|-----------------|-----|--|--|
| | | | | '08 | '09 | | |
| | | | | D8F | D9F | | |
| 11053 | 11053-1979 | BRACKET,INNER FLAP,LH | 1 | 1 | | | |
| 11053A | 11053-1980 | BRACKET,INNER FLAP,RH | 1 | 1 | | | |
| 14091 | 14091-0491 | COVER,FRONT FENDER,LH | 1 | 1 | | | |
| 14091A | 14091-0492 | COVER,FRONT FENDER,RH | 1 | 1 | | | |
| 16073 | 16073-0037 | INSULATOR,INNER FLAP,LH,LWR | 1 | 1 | | | |
| 16073A | 16073-0038 | INSULATOR,INNER FLAP,LH,UPP | 1 | 1 | | | |
| 92039 | 92039-1260 | RIVET | 2 | 2 | | | |
| 92039A | 92039-3763 | RIVET,3.2X8 | 2 | 2 | | | |
| 92093 | 92093-0038 | SEAL,FR FENDER | 2 | 2 | | | |
| 92093A | 92093-1580 | SEAL | 2 | 2 | | | |
| 92200 | 92200-1251 | WASHER,3.5X8X1 | 2 | 2 | | | |



This catalog covers:

'08~'09 KVF750 D8F/D9F Chassis

GRID NO.

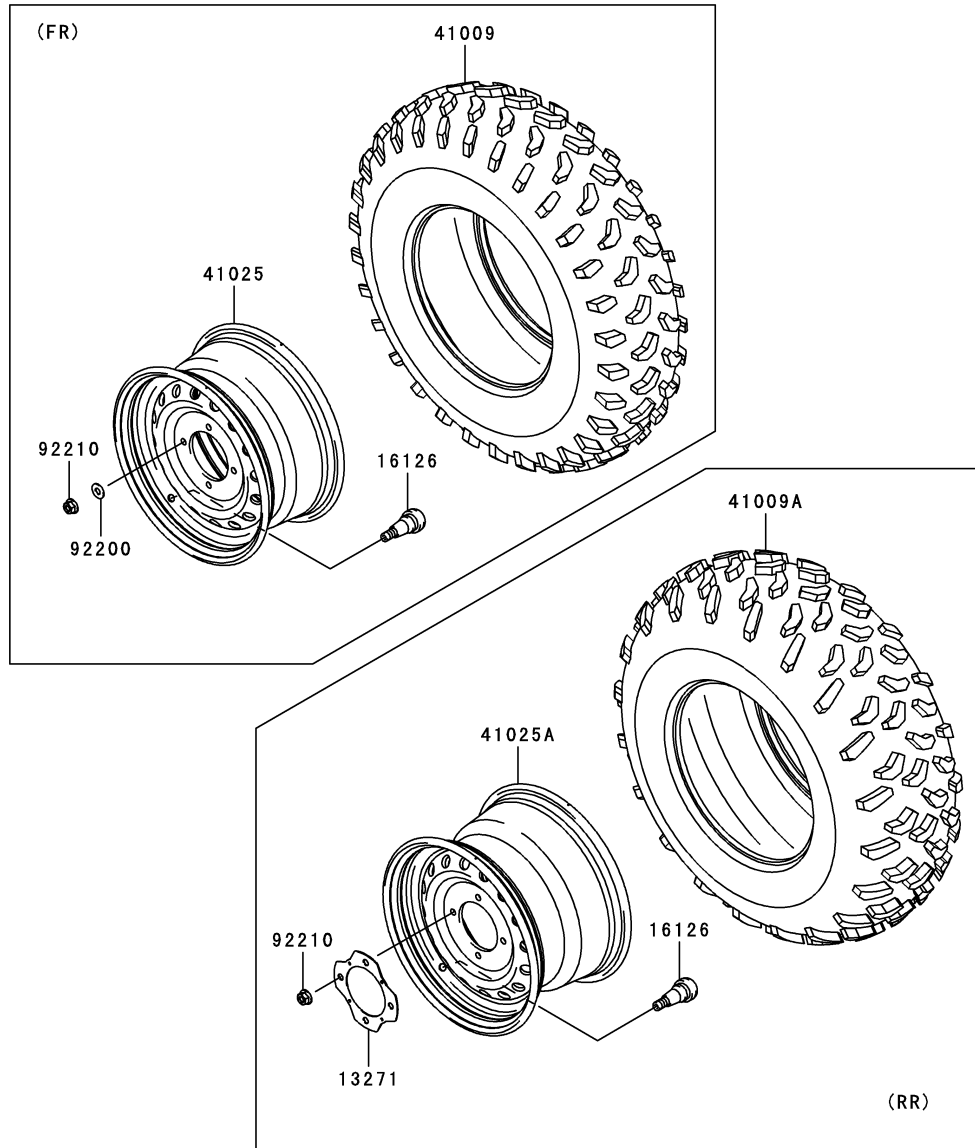
E-14

This grid covers:

Tires(D8F)

F2210

| Ref. No. | Part No. | Description | Spec Code | Quantity-KVF750 | | | |
|----------|------------|-----------------------------|-----------|-----------------|-----|--|--|
| | | | | '08 | '09 | | |
| | | | | D8F | D9F | | |
| 13271 | 13271-0976 | PLATE,RIM | | | 2 | | |
| 16126 | 16126-4001 | VALVE | | | 4 | | |
| 41009 | 41009-0039 | TIRE,FR,AT25X8-12,KT191(D) | | | 2 | | |
| 41009A | 41009-0112 | TIRE,RR,AT25X10-12,KT195(D) | | | 2 | | |
| 41025 | 41025-0087 | RIM,FR,12X6.0AT | | | 2 | | |
| 41025A | 41025-0088 | RIM,RR,12X7.5AT | | | 2 | | |
| 92200 | 92200-1595 | WASHER,10.5X25X1.6 | | | 8 | | |
| 92210 | 92210-1325 | NUT,FLANGED,10MM | | | 16 | | |



This catalog covers:

'08~'09 KVF750 D8F/D9F Chassis

GRID NO.

F-3

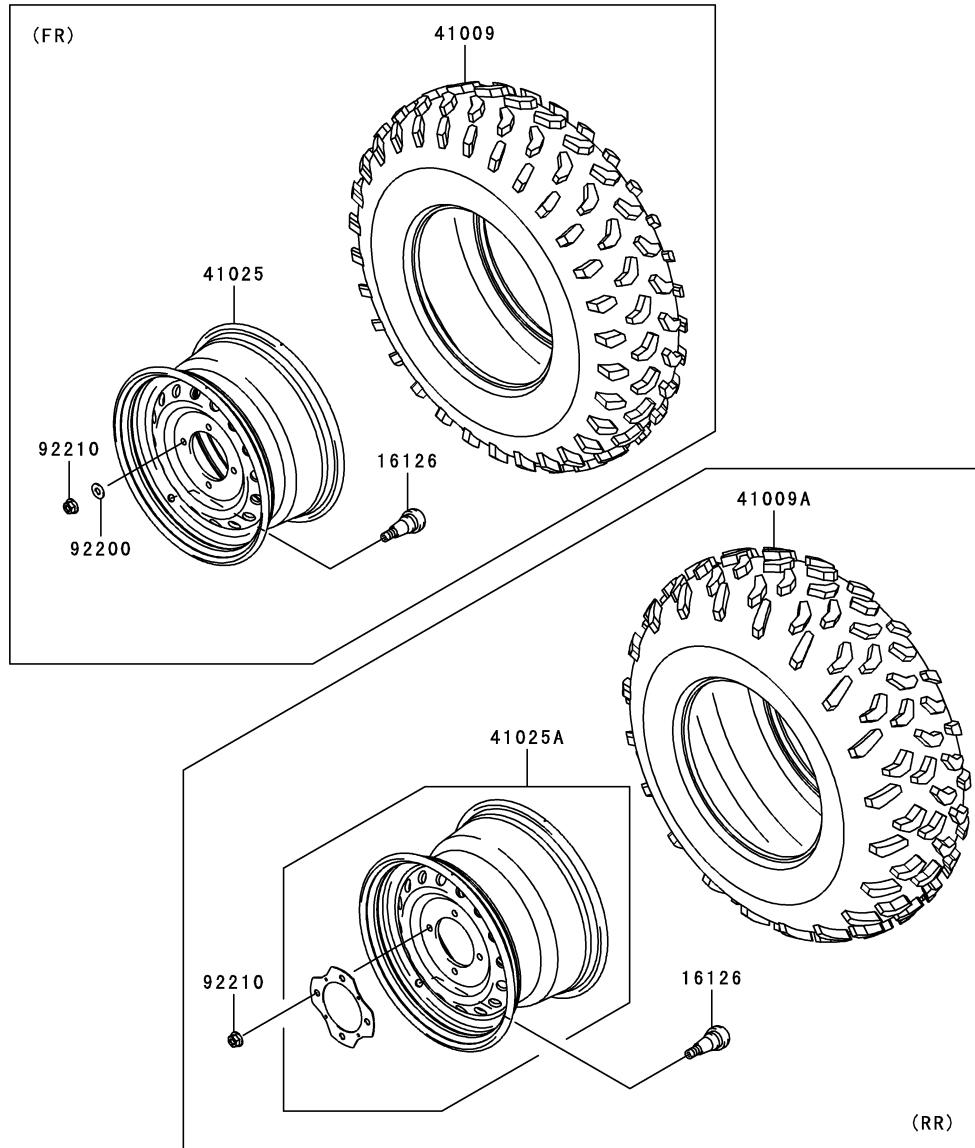
This grid covers:

Tires(D9F)

F2210A

| Ref. No. | Part No. | Description | Spec Code | Quantity-KVF750 | | | |
|----------|----------|-------------|-----------|-----------------|-----|--|--|
| | | | | '08 | '09 | | |
| | | | | D8F | D9F | | |

| | | | | | | | |
|--------|------------|-----------------------------|--|--|--|--|----|
| 16126 | 16126-4001 | VALVE | | | | | 4 |
| 41009 | 41009-0039 | TIRE,FR,AT25X8-12,KT191(D) | | | | | 2 |
| 41009A | 41009-0112 | TIRE,RR,AT25X10-12,KT195(D) | | | | | 2 |
| 41025 | 41025-0087 | RIM,FR,12X6.0AT | | | | | 2 |
| 41025A | 41025-0116 | RIM,RR,12X7.5AT | | | | | 2 |
| 92200 | 92200-1595 | WASHER,10.5X25X1.6 | | | | | 8 |
| 92210 | 92210-1325 | NUT,FLANGED,10MM | | | | | 16 |



This catalog covers:

'08~'09 KVF750 D8F/D9F Chassis

GRID NO.

F-4

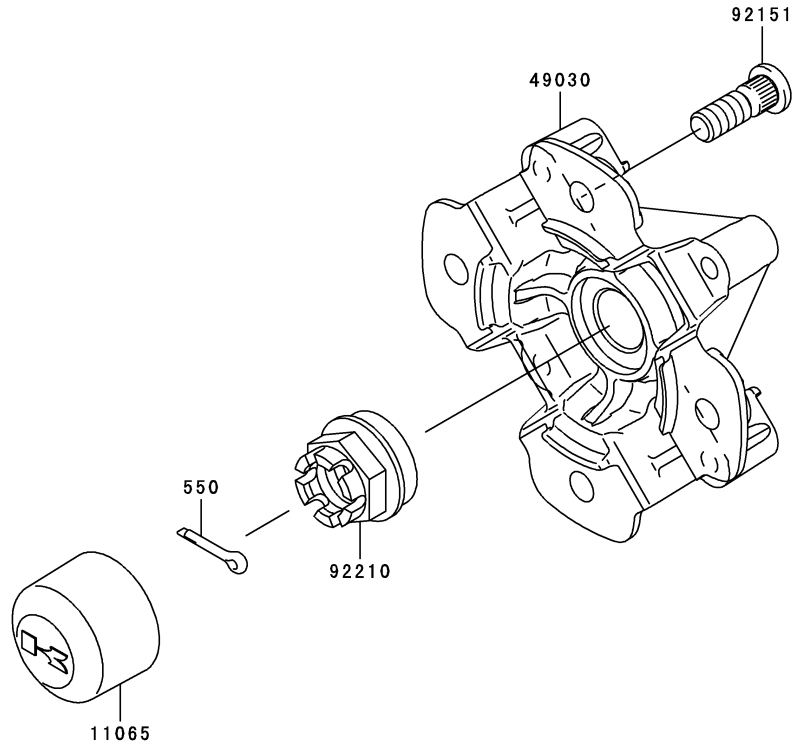
This grid covers:

Front Hub



F2230

| Ref. No. | Part No. | Description | Spec Code | Quantity-KVF750 | | | |
|----------|------------|-------------------|-----------|-----------------|-----|--|--|
| | | | | '08 | '09 | | |
| | | | | D8F | D9F | | |
| 11065 | 11065-1153 | CAP,WHEEL | | 2 | 2 | | |
| 49030 | 49030-0032 | HUB,FR | | 2 | 2 | | |
| 92151 | 92151-1392 | BOLT,10X29.5 | | 8 | 8 | | |
| 92210 | 92210-1349 | NUT,CASTLE,18MM | | 2 | 2 | | |
| 550 | 550AA4025 | PIN-COTTER,4.0X25 | | 2 | 2 | | |



This catalog covers:

'08~'09 KVF750 D8F/D9F Chassis

GRID NO.

F-5

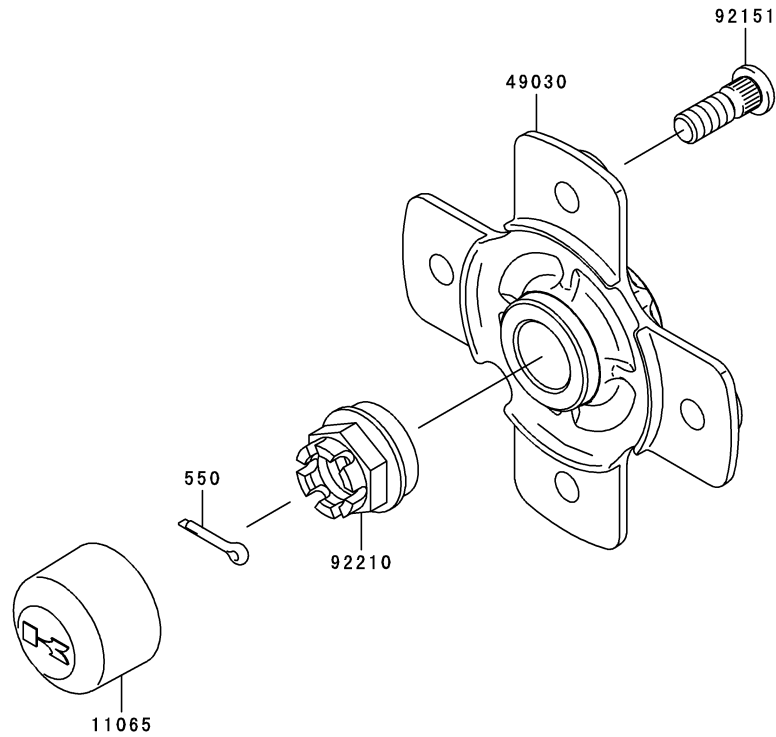
This grid covers:

Rear Hub



F2240

| Ref. No. | Part No. | Description | Spec Code | Quantity-KVF750 | | | |
|----------|------------|-------------------|-----------|-----------------|-----|--|--|
| | | | | '08 | '09 | | |
| | | | | D8F | D9F | | |
| 11065 | 11065-1153 | CAP,WHEEL | | 2 | 2 | | |
| 49030 | 49030-0034 | HUB,RR | | 2 | 2 | | |
| 92151 | 92151-1392 | BOLT,10X29.5 | | 8 | 8 | | |
| 92210 | 92210-1381 | NUT,CASTLE,20MM | | 2 | 2 | | |
| 550 | 550AA4025 | PIN-COTTER,4.0X25 | | 2 | 2 | | |



This catalog covers:

'08~'09 KVF750 D8F/D9F Chassis

GRID NO.

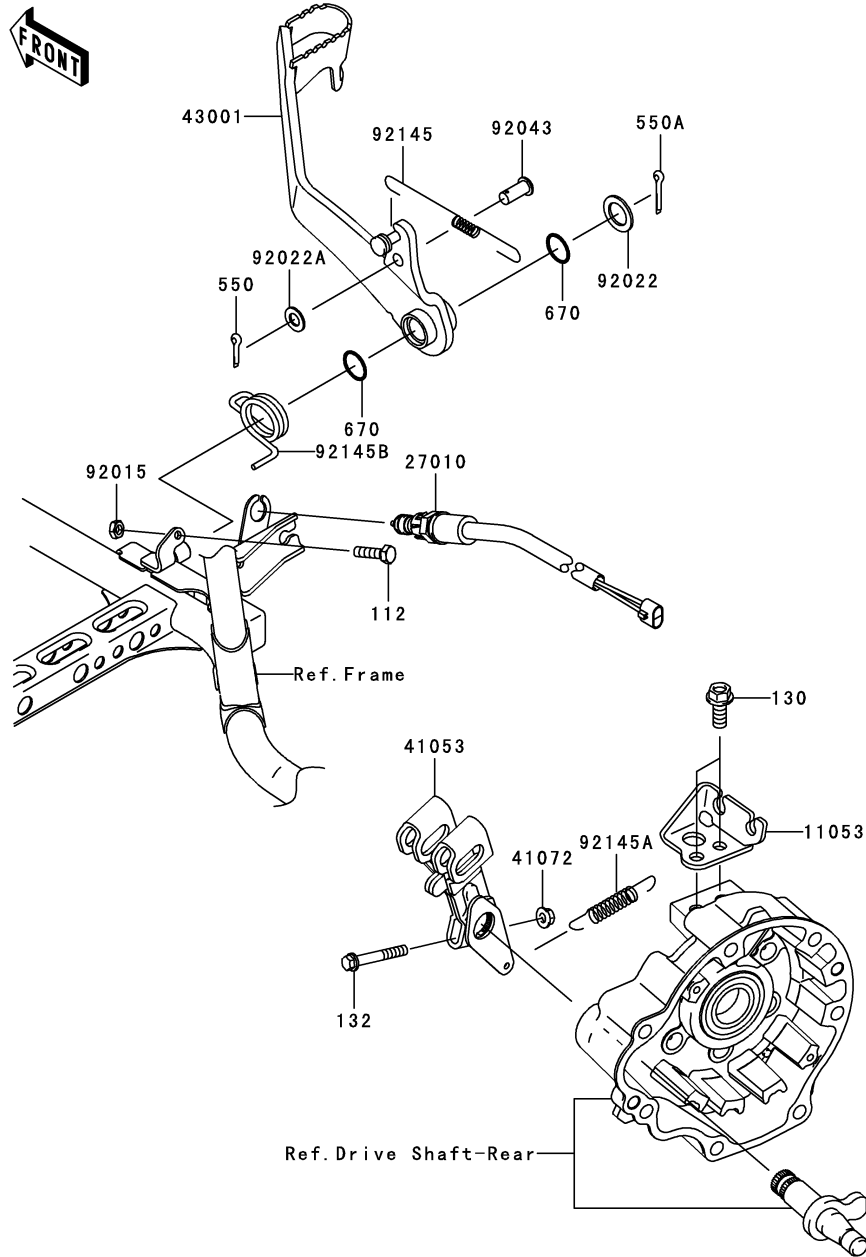
F-6

This grid covers:

Brake Pedal

F2260

| Ref. No. | Part No. | Description | Spec Code | Quantity-KVF750 | | | |
|----------|------------|---------------------------|-----------|-----------------|-----|--|--|
| | | | | '08 | '09 | | |
| | | | | D8F | D9F | | |
| 11053 | 11053-0642 | BRACKET,BRAKE CABLE | 1 | 1 | | | |
| 27010 | 27010-1494 | SWITCH,BRAKE | 1 | 1 | | | |
| 41053 | 41053-0006 | LEVER-BRAKE CAM | 1 | 1 | | | |
| 41072 | 41072-007 | NUT,6MM | 1 | 1 | | | |
| 43001 | 43001-0092 | LEVER-BRAKE,PEDAL | 1 | 1 | | | |
| 92015 | 92015-1410 | NUT,6MM | 1 | 1 | | | |
| 92022 | 92022-1049 | WASHER,15.5X24X1.6 | 1 | 1 | | | |
| 92022A | 92022-1582 | WASHER,8.5X16X1.2 | 1 | 1 | | | |
| 92043 | 92043-1013 | PIN,8X16 | 1 | 1 | | | |
| 92145 | 92145-0144 | SPRING,REAR BRAKE SWITCH | 1 | 1 | | | |
| 92145A | 92145-1313 | SPRING,BRAKE LEVER RETURN | 1 | 1 | | | |
| 92145B | 92145-1421 | SPRING,BRAKE PEDAL RETURN | 1 | 1 | | | |
| 112 | 112AA0622 | BOLT-UPSET,6X22 | 1 | 1 | | | |
| 130 | 130BB0820 | BOLT-FLANGED,8X20 | 2 | 2 | | | |
| 132 | 132BA0640 | BOLT-FLANGED-SMALL,6X40 | 1 | 1 | | | |
| 550 | 550AA2015 | PIN-COTTER,2.0X15 | 1 | 1 | | | |
| 550A | 550AA2022 | PIN-COTTER,2.0X22 | 1 | 1 | | | |
| 670 | 670B2015 | O RING,15MM | 2 | 2 | | | |



This catalog covers:

'08~'09 KVF750 D8F/D9F Chassis

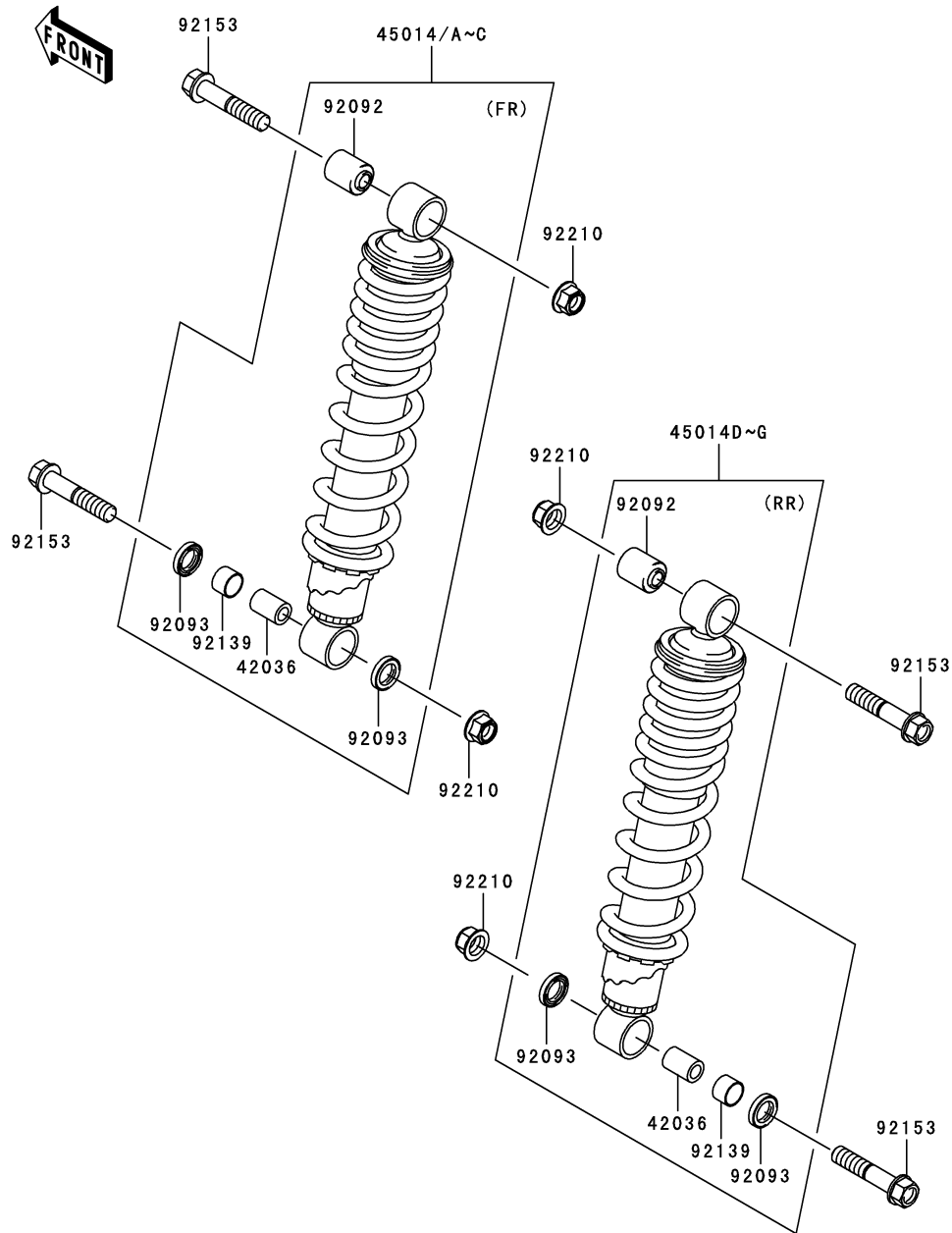
GRID NO.

F-7

This grid covers:

Shock Absorber(s)

F2280



| Ref. No. | Part No. | Description | Spec Code | Quantity-KVF750 | | | |
|----------|----------------|-------------------------------|-----------|-----------------|-----|--|--|
| | | | | '08 | '09 | | |
| | | | | D8F | D9F | | |
| 42036 | 42036-0018 | SLEEVE | | 4 | 4 | | |
| 45014 | 45014-0203-CD | SHOCKABSORBER,FR,F.RED | | | | | |
| | | L----- EU,UK | | 2 | | | |
| 45014A | 45014-0203-EH | SHOCKABSORBER,FR,P.WHITE | | | | | |
| | | L----- AS | | 2 | 2 | | |
| 45014B | 45014-0203-VM | SHOCKABSORBER,FR,S.RED | | | | | |
| | | L----- EU,UK | | 2 | | | |
| 45014C | 45014-0203-17D | SHOCKABSORBER,FR,E COAT BLACK | | | | | |
| | | L----- EU,UK | | 2 | | | |
| 45014D | 45014-0204-CD | SHOCKABSORBER,RR,F.RED | | | | | |
| | | L----- EU,UK | | 2 | | | |
| 45014E | 45014-0204-EH | SHOCKABSORBER,RR,P.WHITE | | | | | |
| | | L----- AS | | 2 | 2 | | |
| 45014F | 45014-0204-VM | SHOCKABSORBER,RR,S.RED | | | | | |
| | | L----- EU,UK | | 2 | | | |
| 45014G | 45014-0204-17D | SHOCKABSORBER,RR,E COAT BLACK | | | | | |
| | | L----- EU,UK | | 2 | | | |
| 92092 | 92092-0007 | BUSHING-RUBBER | | 4 | 4 | | |
| 92093 | 92093-0033 | SEAL | | 8 | 8 | | |
| 92139 | 92139-0084 | BUSHING | | 4 | 4 | | |
| 92153 | 92153-1139 | BOLT,FLANGED,10X50 | | 8 | 8 | | |
| 92210 | 92210-0276 | NUT,LOCK,FLANGED,10MM | | 8 | 8 | | |

This catalog covers:

'08~'09 KVF750 D8F/D9F Chassis

GRID NO.

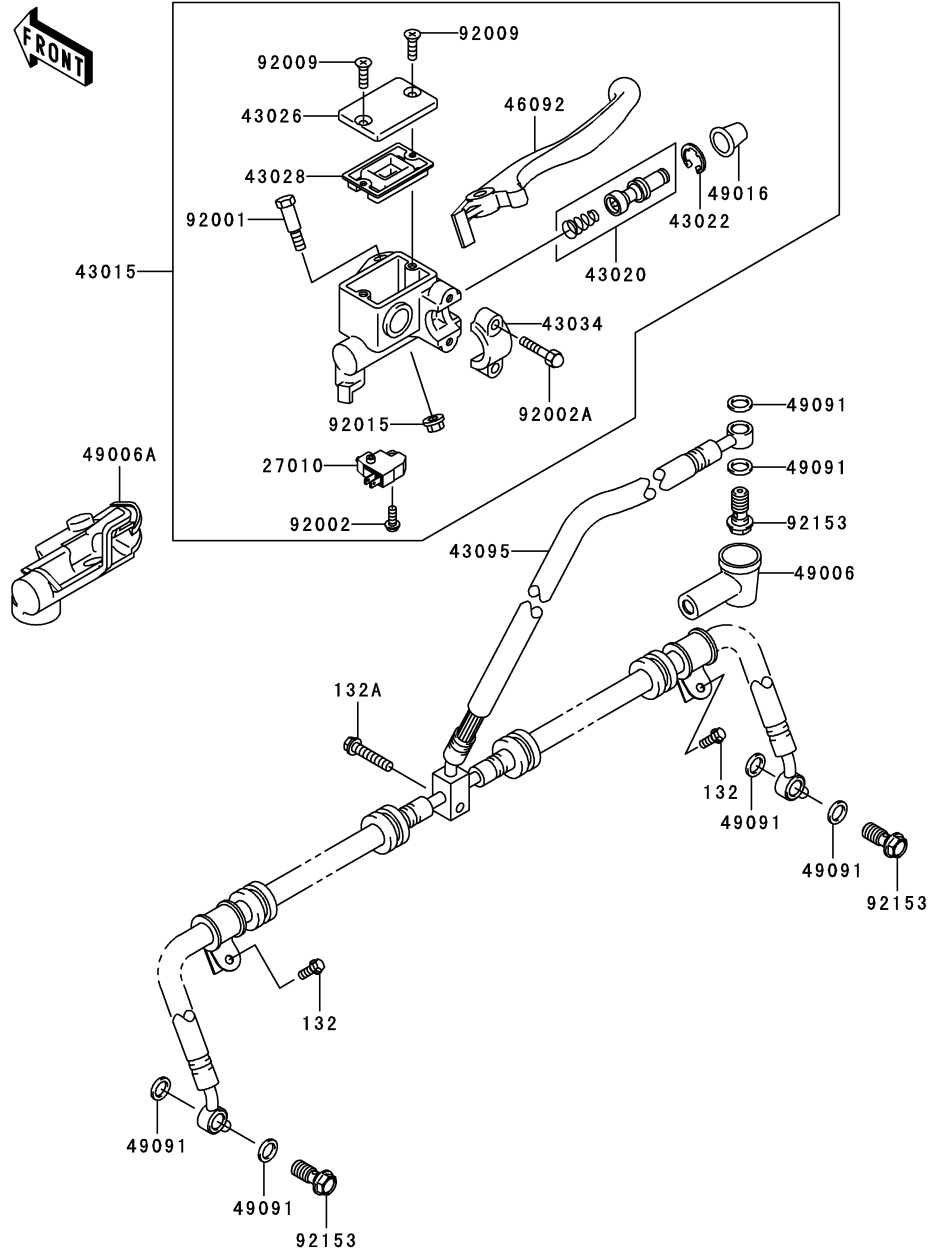
F-8

This grid covers:

Front Master Cylinder

F2291

| Ref. No. | Part No. | Description | Spec Code | Quantity-KVF750 | | | |
|----------|------------|------------------------------|-----------|-----------------|-----|--|--|
| | | | | '08 | '09 | | |
| | | | | D8F | D9F | | |
| 27010 | 27010-0025 | SWITCH,BRAKE | | 1 | 1 | | |
| 43015 | 43015-0036 | CYLINDER-ASSY-MASTER,FR | | 1 | 1 | | |
| 43020 | 43020-1054 | PISTON-COMP-BRAKE,FR | | 1 | 1 | | |
| 43022 | 43022-1010 | STOPPER-BRAKE,PISTON | | 1 | 1 | | |
| 43026 | 43026-1074 | CAP-BRAKE | | 1 | 1 | | |
| 43028 | 43028-1061 | DIAPHRAGM | | 1 | 1 | | |
| 43034 | 43034-1016 | HOLDER-BRAKE,MASTER CYLINDER | | 1 | 1 | | |
| 43095 | 43095-0078 | HOSE-BRAKE,FR | | 1 | 1 | | |
| 46092 | 46092-1208 | LEVER-GRIP,FRONT BRAKE | | 1 | 1 | | |
| 49006 | 49006-1040 | BOOT,DUST | | 1 | 1 | | |
| 49006A | 49006-1338 | BOOT,RH | | 1 | 1 | | |
| 49016 | 49016-1044 | COVER-SEAL,MASTER CYLINDER | | 1 | 1 | | |
| 49091 | 49091-0001 | WASHER-SEAL,10.1X14.5X1.5 | | 6 | 6 | | |
| 92001 | 92001-1728 | BOLT,FRONT BRAKE LEVER | | 1 | 1 | | |
| 92002 | 92002-1323 | BOLT,SCREW,4X12 | | 1 | 1 | | |
| 92002A | 92002-1894 | BOLT | | 2 | 2 | | |
| 92009 | 92009-1458 | SCREW,4MM | | 2 | 2 | | |
| 92015 | 92015-1233 | NUT,FLANGED,6MM,BLACK | | 1 | 1 | | |
| 92153 | 92153-0627 | BOLT,OIL,L=23 | | 3 | 3 | | |
| 132 | 132BB0512 | BOLT-FLANGED-SMALL,5X12 | | 2 | 2 | | |
| 132A | 132BB0630 | BOLT-FLANGED-SMALL,6X30 | | 1 | 1 | | |



This catalog covers:

'08~'09 KVF750 D8F/D9F Chassis

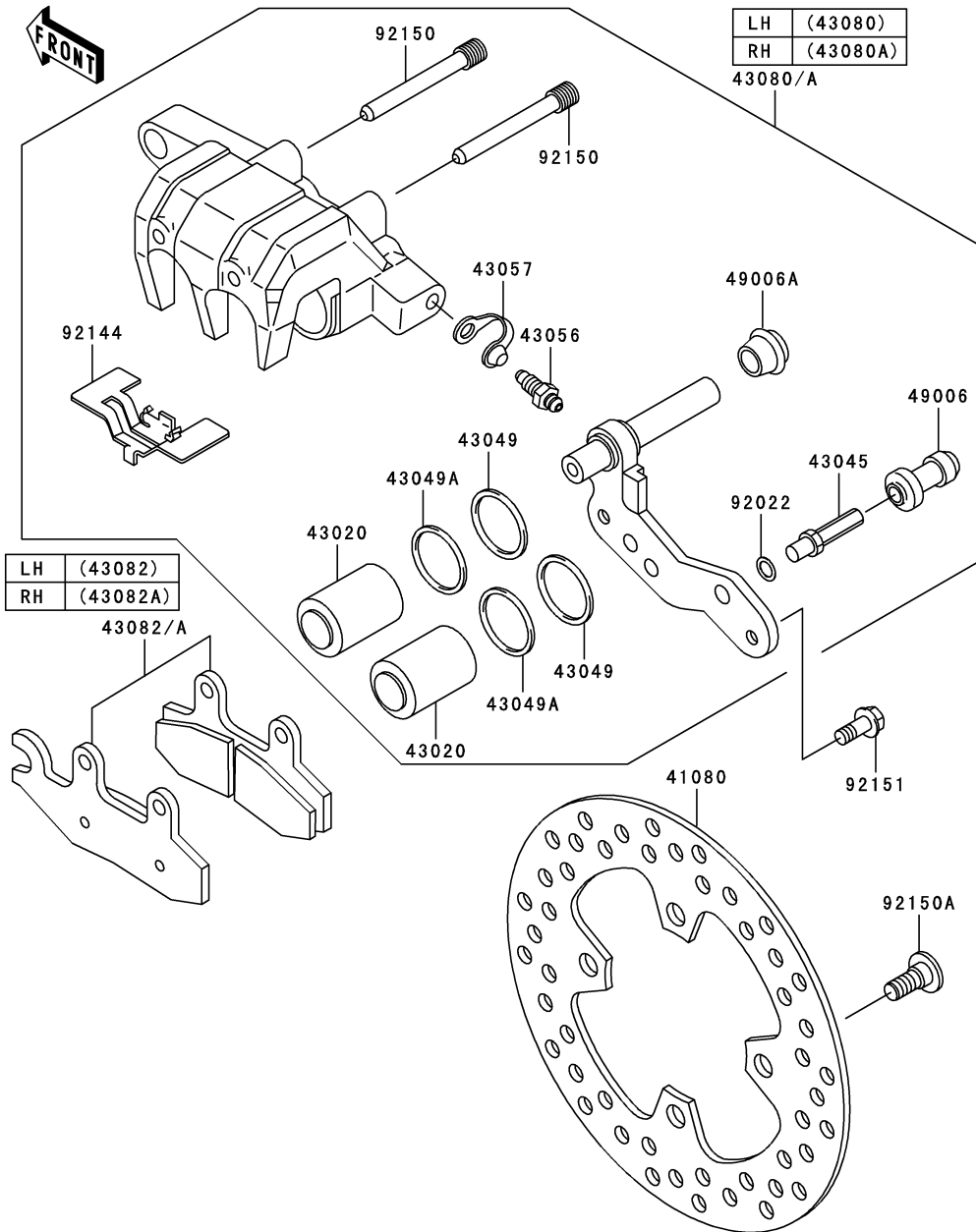
GRID NO.

F-9

This grid covers:

Front Brake

F2292



| Ref. No. | Part No. | Description | Quantity-KVF750 | | | |
|----------|---------------|------------------------------|-----------------|-----|-----|-----|
| | | | '08 | '09 | D8F | D9F |
| 41080 | 41080-1513 | DISC,FR | 2 | 2 | | |
| 43020 | 43020-1101 | PISTON-COMP-BRAKE | 4 | 4 | | |
| 43045 | 43045-1010 | SHAFT-CALIPER | 2 | 2 | | |
| 43049 | 43049-1063 | PACKING | 4 | 4 | | |
| 43049A | 43049-1064 | PACKING | 4 | 4 | | |
| 43056 | 43056-1055 | BREATHER | 2 | 2 | | |
| 43057 | 43057-1001 | CAP-BREATHER | 2 | 2 | | |
| 43080 | 43080-0019-DJ | CALIPER-SUB-ASSY,FR,LH,BLACK | 1 | 1 | | |
| 43080A | 43080-0020-DJ | CALIPER-SUB-ASSY,FR,RH,BLACK | 1 | 1 | | |
| 43082 | 43082-0022 | PAD-ASSY-BRAKE,FR,LH | 1 | 1 | | |
| 43082A | 43082-0023 | PAD-ASSY-BRAKE,FR,RH | 1 | 1 | | |
| 49006 | 49006-1088 | BOOT,CALIPER | 2 | 2 | | |
| 49006A | 49006-1242 | BOOT,CALIPER | 2 | 2 | | |
| 92022 | 92022-1373 | WASHER,WAVE | 2 | 2 | | |
| 92144 | 92144-1319 | SPRING,PAD | 2 | 2 | | |
| 92150 | 92150-1144 | BOLT | 4 | 4 | | |
| 92150A | 92150-1800 | BOLT,SOCKET,8X20 | 8 | 8 | | |
| 92151 | 92151-1793 | BOLT,FLANGED,8X19 | 4 | 4 | | |

This catalog covers:

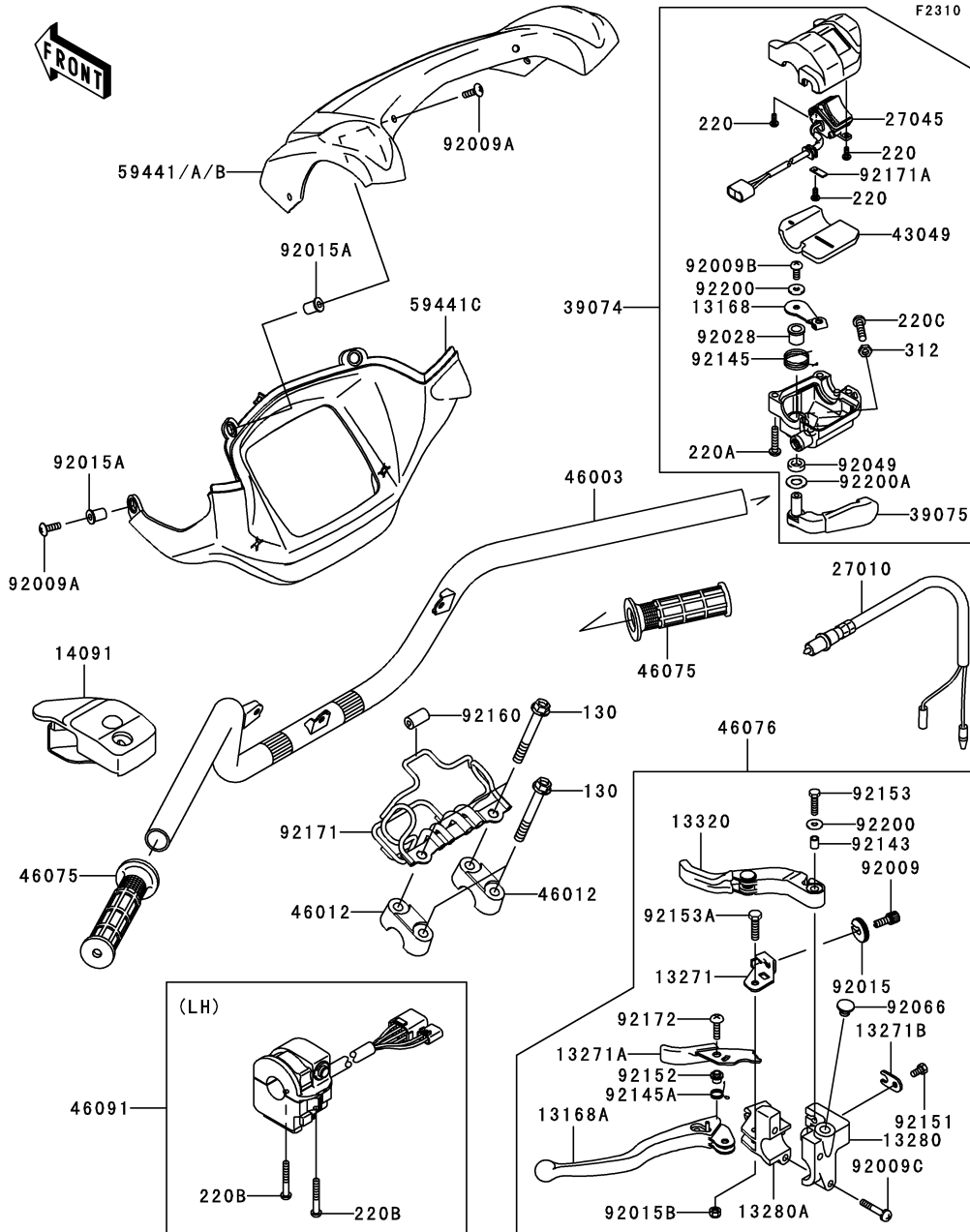
'08~'09 KVF750 D8F/D9F Chassis

GRID NO.

F-10

This grid covers:

Handlebar(1/2)



| Ref. No. | Part No. | Description | Spec Code | Quantity-KVF750 | | | |
|----------|----------------|---------------------------|-----------|-----------------|-----|--|--|
| | | | | '08 | '09 | | |
| | | | | D8F | D9F | | |
| 13168 | 13168-1715 | LEVER | 1 | 1 | | | |
| 13168A | 13168-1736 | LEVER,LH | 1 | 1 | | | |
| 13271 | 13271-1259 | PLATE,LOCK | 1 | 1 | | | |
| 13271A | 13271-1635 | PLATE,LEVER LOCK | 1 | 1 | | | |
| 13271B | 13271-1636 | PLATE,WIRE OUTER STOPPER | 1 | 1 | | | |
| 13280 | 13280-1226 | HOLDER,DIFF LOCK LEVER | 1 | 1 | | | |
| 13280A | 13280-1227 | HOLDER,LEVER,LH | 1 | 1 | | | |
| 13320 | 13320-1018 | LEVER-ASSY,DEFF LOCK | 1 | 1 | | | |
| 14091 | 14091-1403 | COVER,DIFF LOCK LEVER | 1 | 1 | | | |
| 27010 | 27010-1294 | SWITCH,BRAKE | 1 | 1 | | | |
| 27045 | 27045-0010 | SWITCH-ASSY | 1 | 1 | | | |
| 39074 | 39074-0002 | LEVER-ASSY-THROTTLE | 1 | 1 | | | |
| 39075 | 39075-1062 | LEVER-THROTTLE | 1 | 1 | | | |
| 43049 | 43049-1088 | PACKING | 1 | 1 | | | |
| 46003 | 46003-1580 | HANDLE | 1 | 1 | | | |
| 46012 | 46012-1168 | HOLDER-HANDLE | 2 | 2 | | | |
| 46075 | 46075-7501 | GRIP,HANDLE | 2 | 2 | | | |
| 46076 | 46076-1238 | LEVER-ASSY-GRIP,DEFF LOCK | 1 | 1 | | | |
| 46091 | 46091-0111 | HOUSING-ASSY-CONTROL,LH | 1 | 1 | | | |
| 59441 | 59441-0005-286 | COVER-HANDLE,FR,W.GREEN | 1 | 1 | | | |
| | | L----- EU,UK | 1 | 1 | | | |
| 59441A | 59441-0005-290 | COVER-HANDLE,FR,L.GREEN | | | | | |
| | | L----- AS | 1 | 1 | | | |
| 59441B | 59441-0005-839 | COVER-HANDLE,FR,BLACK | | | | | |
| | | L----- EU,UK | 1 | 1 | | | |
| 59441C | 59441-0006-6Z | COVER-HANDLE,RR,F.BLACK | 1 | 1 | | | |
| 92009 | 92009-1435 | SCREW,CABLE ADJUST,8MM | 1 | 1 | | | |
| 92009A | 92009-1654 | SCREW,5X16,BLACK | 4 | 4 | | | |
| 92009B | 92009-1959 | SCREW | 1 | 1 | | | |
| 92009C | 92009-1961 | SCREW,6X30 | 2 | 2 | | | |
| 92015 | 92015-1596 | NUT,CABLE ADJUST LOCK,8MM | 1 | 1 | | | |
| 92015A | 92015-1757 | NUT,WELL,5MM | 4 | 4 | | | |
| 92015B | 92015-1829 | NUT | 1 | 1 | | | |
| 92028 | 92028-1986 | BUSHING | 1 | 1 | | | |
| 92049 | 92049-1578 | SEAL-OIL | 1 | 1 | | | |
| 92066 | 92066-1077 | PLUG,9.5X8,POLYETHYLENE | 1 | 1 | | | |
| 92143 | 92143-1216 | COLLAR | 1 | 1 | | | |
| 92145 | 92145-1392 | SPRING | 1 | 1 | | | |
| 92145A | 92145-1429 | SPRING | 1 | 1 | | | |
| 92151 | 92151-1975 | BOLT,5X10 | 1 | 1 | | | |

This catalog covers:

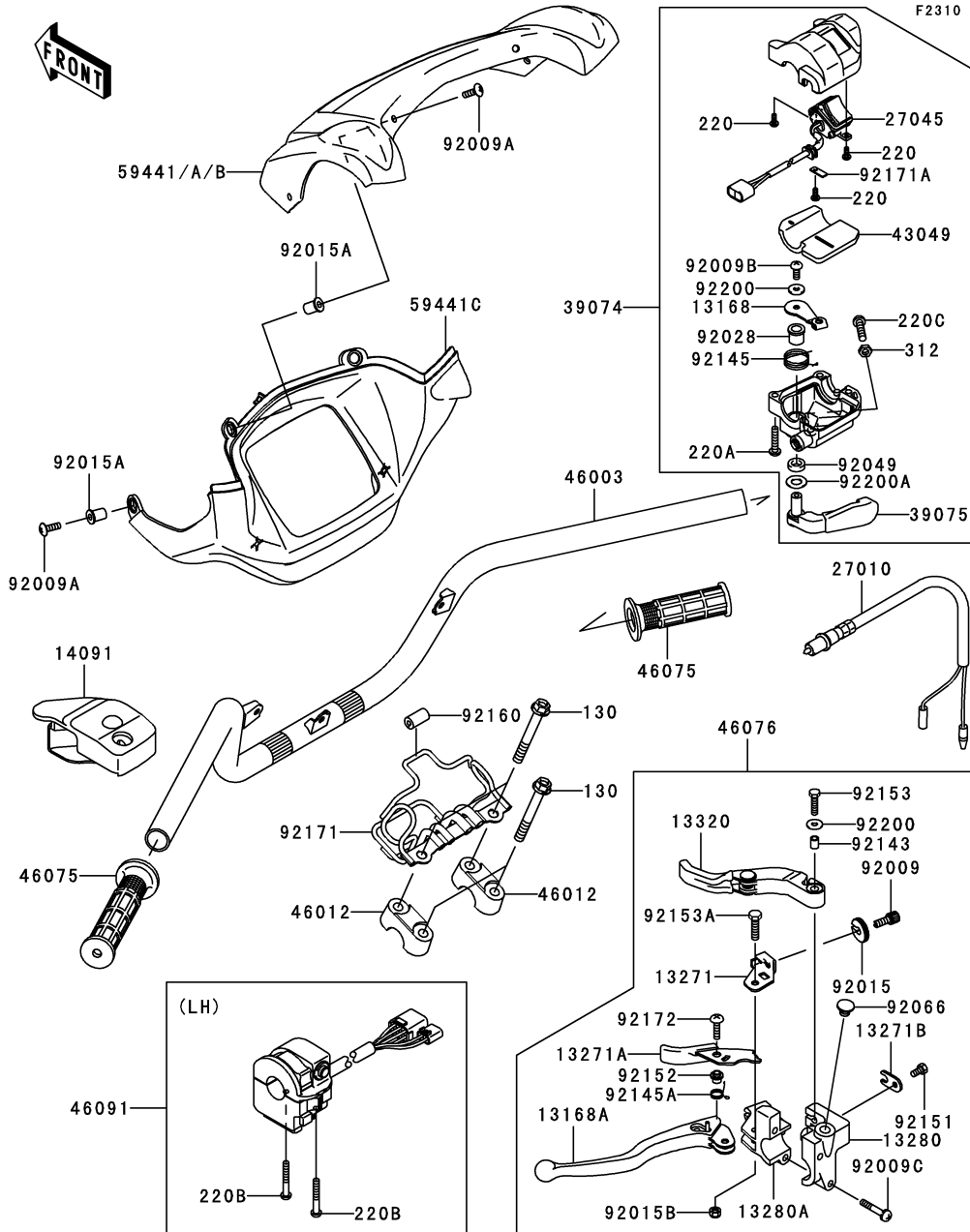
'08~'09 KVF750 D8F/D9F Chassis

GRID NO.

F-11

This grid covers:

Handlebar(2/2)



| Ref. No. | Part No. | Description | Spec Code | Quantity-KVF750 | | | |
|----------|------------|----------------------|-----------|-----------------|-----|--|--|
| | | | | '08 | '09 | | |
| | | | | D8F | D9F | | |
| 92152 | 92152-1176 | COLLAR | 1 | 1 | | | |
| 92153 | 92153-1129 | BOLT,5X20 | 1 | 1 | | | |
| 92153A | 92153-1919 | BOLT | 1 | 1 | | | |
| 92160 | 92160-1074 | DAMPER,4.5X11X20 | 1 | 1 | | | |
| 92171 | 92171-0378 | CLAMP,BREATHER TUBE | 1 | 1 | | | |
| 92171A | 92171-1344 | CLAMP | 1 | 1 | | | |
| 92172 | 92172-0078 | SCREW,5X20 | 1 | 1 | | | |
| 92200 | 92200-1558 | WASHER | 2 | 2 | | | |
| 92200A | 92200-1559 | WASHER | 1 | 1 | | | |
| 130 | 130CA0860 | BOLT-FLANGED,8X60 | 4 | 4 | | | |
| 220 | 220AA0308 | SCREW-PAN-CROS,3X8 | 3 | 3 | | | |
| 220A | 220AB0525 | SCREW-PAN-CROS,5X25 | 3 | 3 | | | |
| 220B | 220AB0535 | SCREW-PAN-CROSS,5X35 | 2 | 2 | | | |
| 220C | 220AB0625 | SCREW-PAN-CROS,6X25 | 1 | 1 | | | |
| 312 | 312AB0600 | NUT-HEX,6MM,BLACK | 1 | 1 | | | |

This catalog covers:

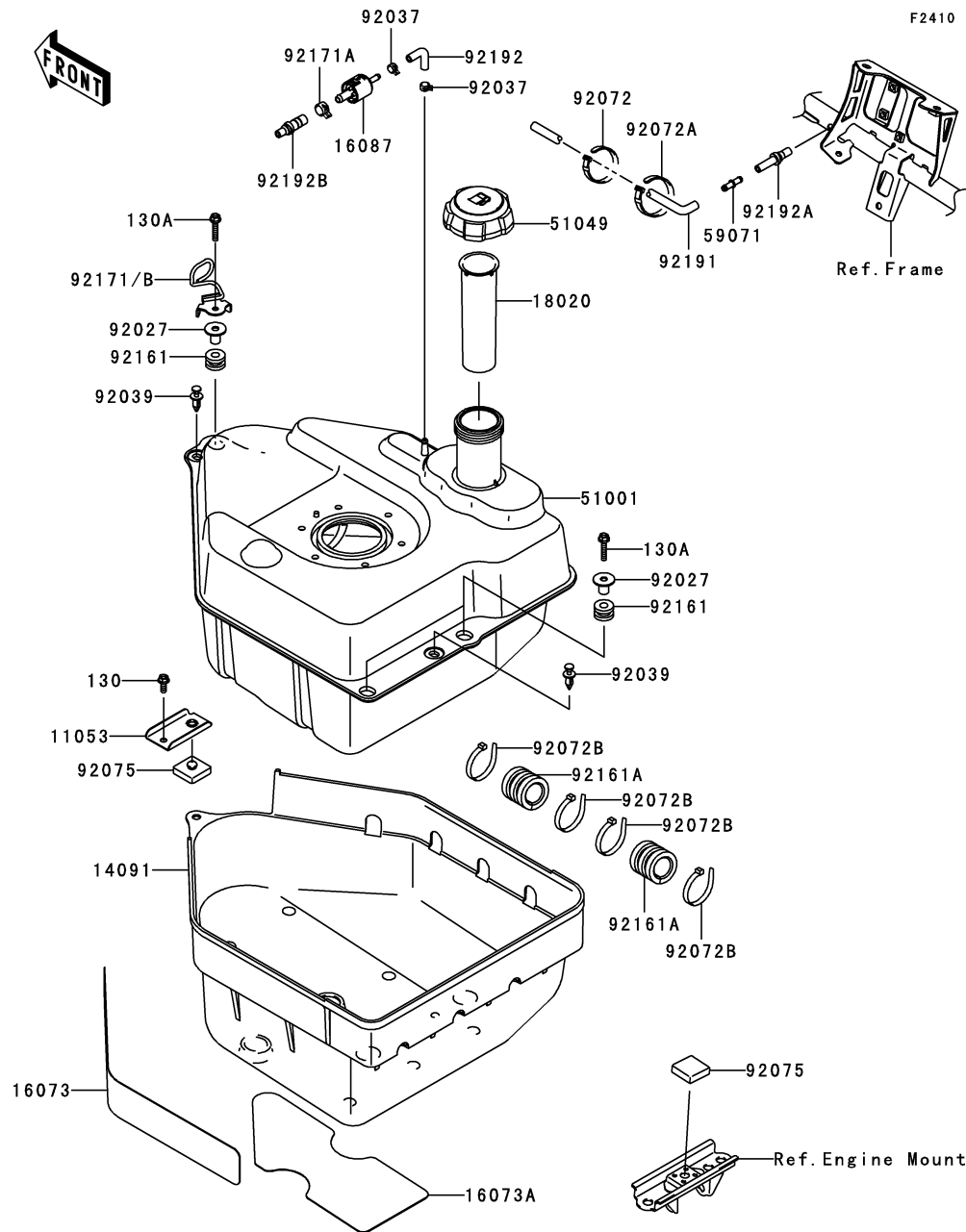
'08~'09 KVF750 D8F/D9F Chassis

GRID NO.

F-12

This grid covers:

Fuel Tank



| Ref. No. | Part No. | Description | Quantity-KVF750 | | | |
|----------|------------|--------------------------------|-----------------|-----|--|--|
| | | | '08 | '09 | | |
| | | | D8F | D9F | | |
| 11053 | 11053-0936 | BRACKET,FUEL TANK, TOP | 1 | 1 | | |
| 14091 | 14091-0608 | COVER,FUEL TANK,LWR | 1 | 1 | | |
| 16073 | 16073-0033 | INSULATOR,FUEL TANK COVER,SIDE | 1 | 1 | | |
| 16073A | 16073-0034 | INSULATOR,FUEL TANK COVER,LWR | 1 | 1 | | |
| 16087 | 16087-0002 | VALVE-CHECK | 1 | 1 | | |
| 18020 | 18020-0008 | BAFFLE,FUEL TANK | 1 | 1 | | |
| 51001 | 51001-0237 | TANK-COMP-FUEL | 1 | 1 | | |
| 51049 | 51049-1128 | CAP-TANK,FUEL | 1 | 1 | | |
| 59071 | 59071-3717 | JOINT | 1 | 1 | | |
| 92027 | 92027-1847 | COLLAR,L=16.1 | 3 | 3 | | |
| 92037 | 92037-1461 | CLAMP,TUBE | 2 | 2 | | |
| 92039 | 92039-1229 | RIVET | 2 | 2 | | |
| 92072 | 92072-031 | BAND,L=149 | 1 | 1 | | |
| 92072A | 92072-056 | BAND,L=186 | 1 | 1 | | |
| 92072B | 92072-1239 | BAND,L=188 | 4 | 4 | | |
| 92075 | 92075-1882 | DAMPER | 2 | 2 | | |
| 92161 | 92161-0106 | DAMPER | 3 | 3 | | |
| 92161A | 92161-1111 | DAMPER,FUEL TANK,RR | 2 | 2 | | |
| 92171 | 92171-0380 | CLAMP,FUEL TUBE | 1 | | | |
| 92171A | 92171-0515 | CLAMP | 1 | 1 | | |
| 92171B | 92171-1741 | CLAMP,FUEL TUBE | | 1 | | |
| 92191 | 92191-1384 | TUBE,CANISTER-SEPARATOR,BLUE | 1 | 1 | | |
| 92192 | 92192-0067 | TUBE,FUEL TANK-CHECK VALVE | 1 | 1 | | |
| 92192A | 92192-0068 | TUBE,FRAME PIPE-CHECK VALVE | 1 | 1 | | |
| 92192B | 92192-0128 | TUBE,FRAME PIPE-CHECK VALVE | 1 | 1 | | |
| 130 | 130BA0616 | BOLT-FLANGED,6X16 | 1 | 1 | | |
| 130A | 130BA0630 | BOLT-FLANGED,6X30 | 3 | 3 | | |

This catalog covers:

'08~'09 KVF750 D8F/D9F Chassis

GRID NO.

F-13

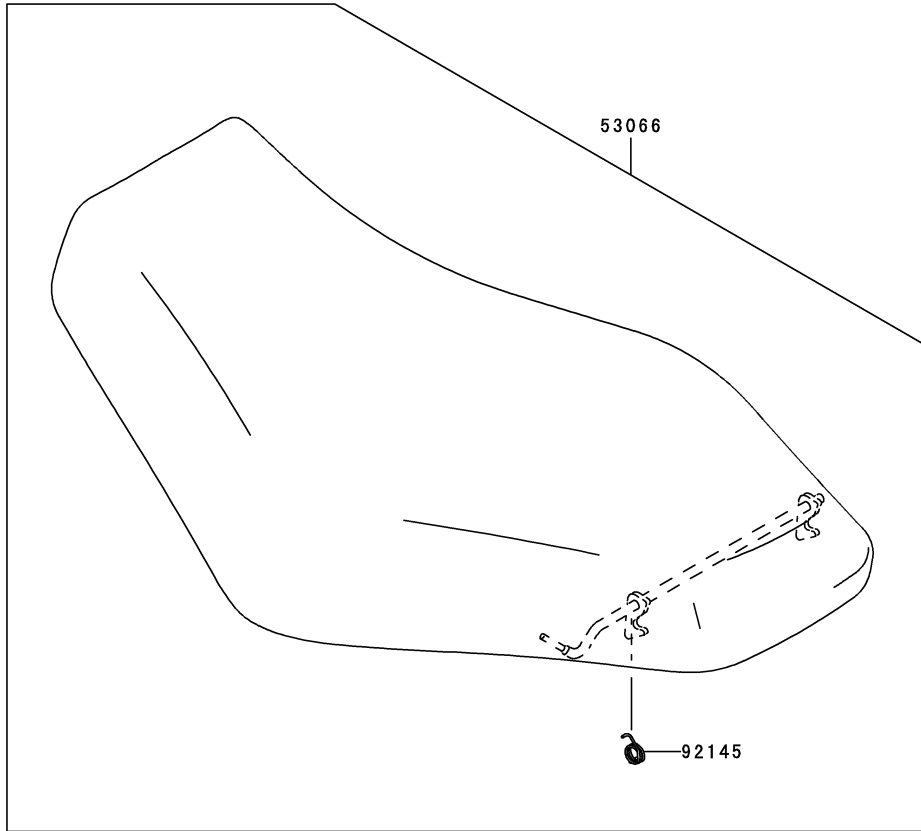
This grid covers:

Seat

F2510



| Ref. No. | Part No. | Description | Spec Code | Quantity-KVF750 | | | |
|----------|---------------|-------------------|-----------|-----------------|-----|---|--|
| | | | | '08 | '09 | | |
| | | | | D8F | D9F | | |
| 53066 | 53066-0196-MA | SEAT-ASSY,BLACK | | 1 | | 1 | |
| 92145 | 92145-0022 | SPRING,SEAT LATCH | | 1 | | 1 | |



This catalog covers:

'08~'09 KVF750 D8F/D9F Chassis

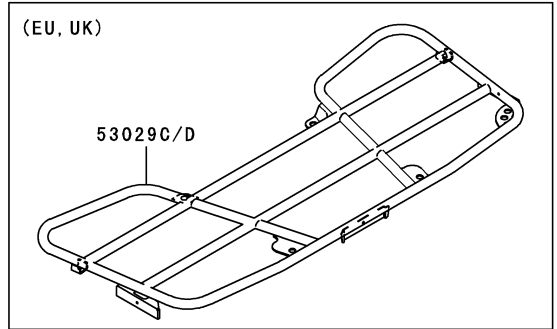
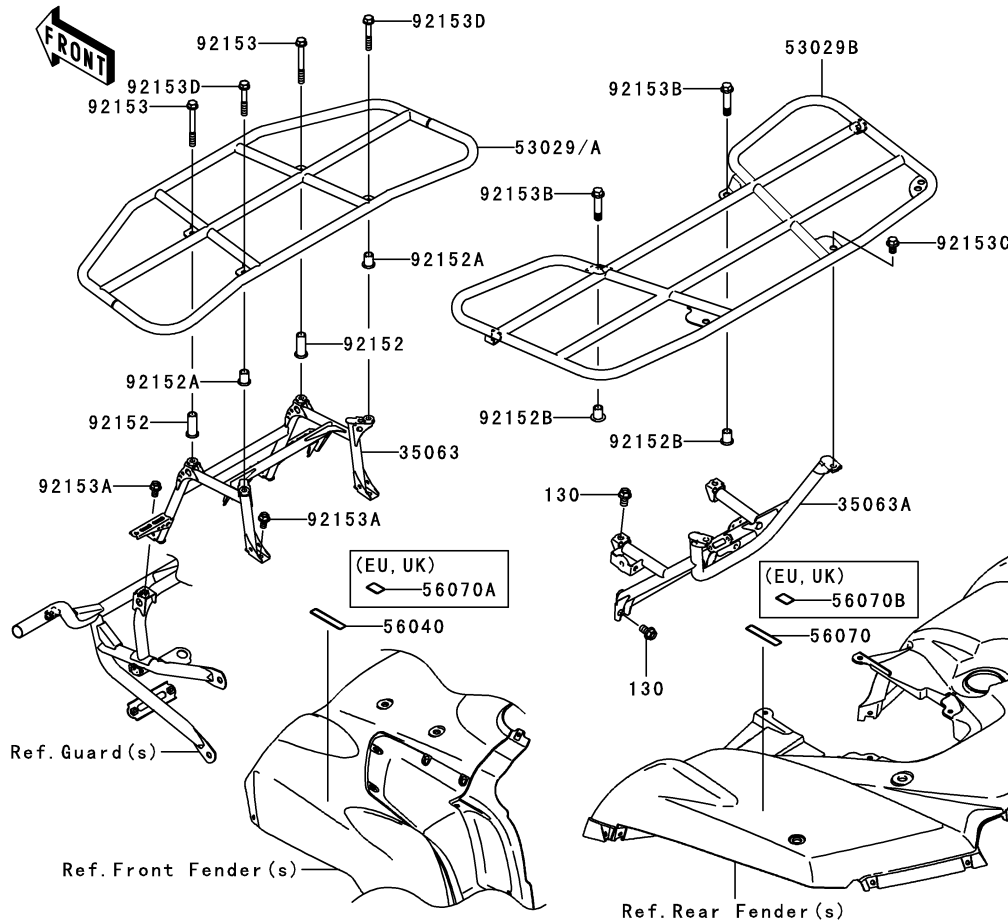
GRID NO.

F-14

This grid covers:

Carrier(s)

F2520



| Ref. No. | Part No. | Description | Spec Code | Quantity-KVF750 | | | |
|----------|----------------|-------------------------------|-----------|-----------------|-----|--|--|
| | | | | '08 | '09 | | |
| | | | | D8F | D9F | | |
| 35063 | 35063-0164 | STAY,FR | | 1 | 1 | | |
| 35063A | 35063-0501-388 | STAY,REAR CARRIER,W.BLACK | | 1 | 1 | | |
| 53029 | 53029-0054-16I | CARRIER,FR,RED | | | | | |
| | | L----- | EU,UK | 1 | 1 | | |
| 53029A | 53029-0054-388 | CARRIER,FR,W.BLACK | | 1 | 1 | | |
| 53029B | 53029-0055-388 | CARRIER,RR,W.BLACK | | | | | |
| | | L----- | AS | 1 | 1 | | |
| 53029C | 53029-0057-16I | CARRIER,RR,RED | | | | | |
| | | L----- | EU,UK | 1 | 1 | | |
| 53029D | 53029-0057-388 | CARRIER,RR,W.BLACK | | | | | |
| | | L----- | EU,UK | 1 | 1 | | |
| 56040 | 56040-132I | LABEL-WARNING,MAXIMUM LOAD | | | | | |
| | | L----- | AS | 1 | 1 | | |
| 56070 | 56070-004I | LABEL-WARNING,MAXIMUM LOAD | | | | | |
| | | L----- | AS | 1 | 1 | | |
| 56070A | 56070-1103 | LABEL-WARNING,CARRIER LOAD,FR | | | | | |
| | | L----- | EU,UK | 1 | 1 | | |
| 56070B | 56070-1253 | LABEL-WARNING,MAXIMUM LOAD | | | | | |
| | | L----- | EU,UK | 1 | 1 | | |
| 92152 | 92152-0254 | COLLAR | | 2 | 2 | | |
| 92152A | 92152-0255 | COLLAR | | 2 | 2 | | |
| 92152B | 92152-0257 | COLLAR | | 2 | 2 | | |
| 92153 | 92153-0748 | BOLT,FLANGED,8X70 | | 2 | 2 | | |
| 92153A | 92153-093I | BOLT,FLANGED,8X14 | | 4 | 4 | | |
| 92153B | 92153-1374 | BOLT,FLANGED,10X44 | | 2 | 2 | | |
| 92153C | 92153-1375 | BOLT,FLANGED,10X14 | | 2 | 2 | | |
| 92153D | 92153-1755 | BOLT,FLANGED,8X50 | | 2 | 2 | | |
| 130 | 130CB1016 | BOLT-FLANGED,10X16 | | 4 | 4 | | |

This catalog covers:

'08~'09 KVF750 D8F/D9F Chassis

GRID NO.

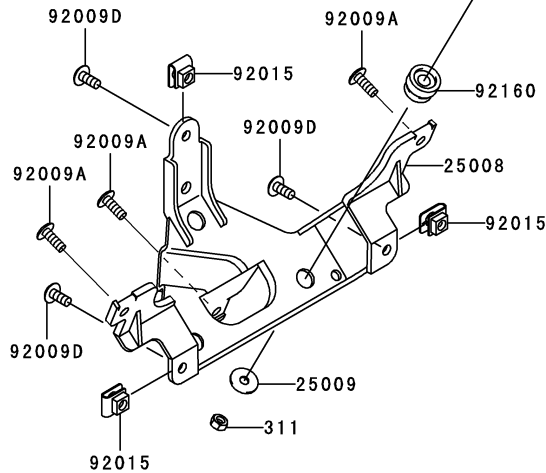
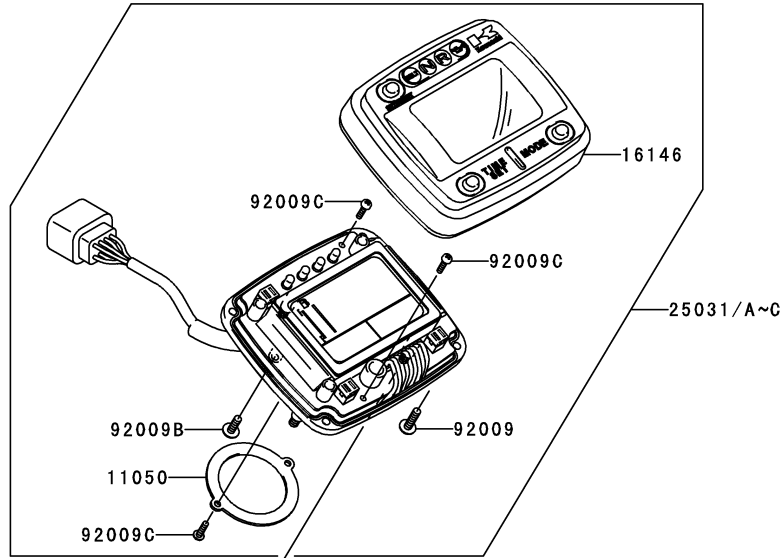
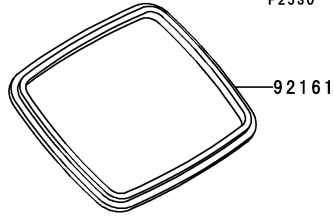
G-3

This grid covers:

Meter(s)



F2530



| Ref. No. | Part No. | Description | Spec Code | Quantity-KVF750 | | | |
|----------|------------|--------------------|-----------|-----------------|-----|--|--|
| | | | | '08 | '09 | | |
| | | | | D8F | D9F | | |
| 11050 | 11050-1932 | BRACKET,METER | 1 | 1 | | | |
| 16146 | 16146-0011 | COVER-ASSY,UPPER | 1 | 1 | | | |
| 25008 | 25008-0003 | BRACKET-METER | 1 | 1 | | | |
| 25009 | 25009-004 | WASHER,5.2X16X1.2 | 3 | 3 | | | |
| 25031 | 25031-0163 | METER-ASSY,MPH | | | | | |
| | | L----- | UK | 1 | | | |
| 25031A | 25031-0164 | METER-ASSY,KPH | | | | | |
| | | L----- | AS,EU | 1 | | | |
| 25031B | 25031-0226 | METER-ASSY,KPH | | | | | |
| | | L----- | AS,EU | 1 | | | |
| 25031C | 25031-0227 | METER-ASSY,MPH | | | | | |
| | | L----- | UK | 1 | | | |
| 92009 | 92009-1163 | SCREW,TAPPING,4X16 | 4 | 4 | | | |
| 92009A | 92009-1197 | SCREW,TAPPING,5X14 | 3 | 3 | | | |
| 92009B | 92009-1254 | SCREW,TAPPING,4X12 | 1 | 1 | | | |
| 92009C | 92009-1326 | SCREW,3X12 | 4 | 4 | | | |
| 92009D | 92009-1652 | SCREW,5X12 | 3 | 3 | | | |
| 92015 | 92015-1573 | NUT,5MM | 3 | 3 | | | |
| 92160 | 92160-1460 | DAMPER | 3 | 3 | | | |
| 92161 | 92161-1114 | DAMPER,METER,UPP | 1 | 1 | | | |
| 311 | 311AB0500 | NUT-HEX | 3 | 3 | | | |

This catalog covers:

'08~'09 KVF750 D8F/D9F Chassis

GRID NO.

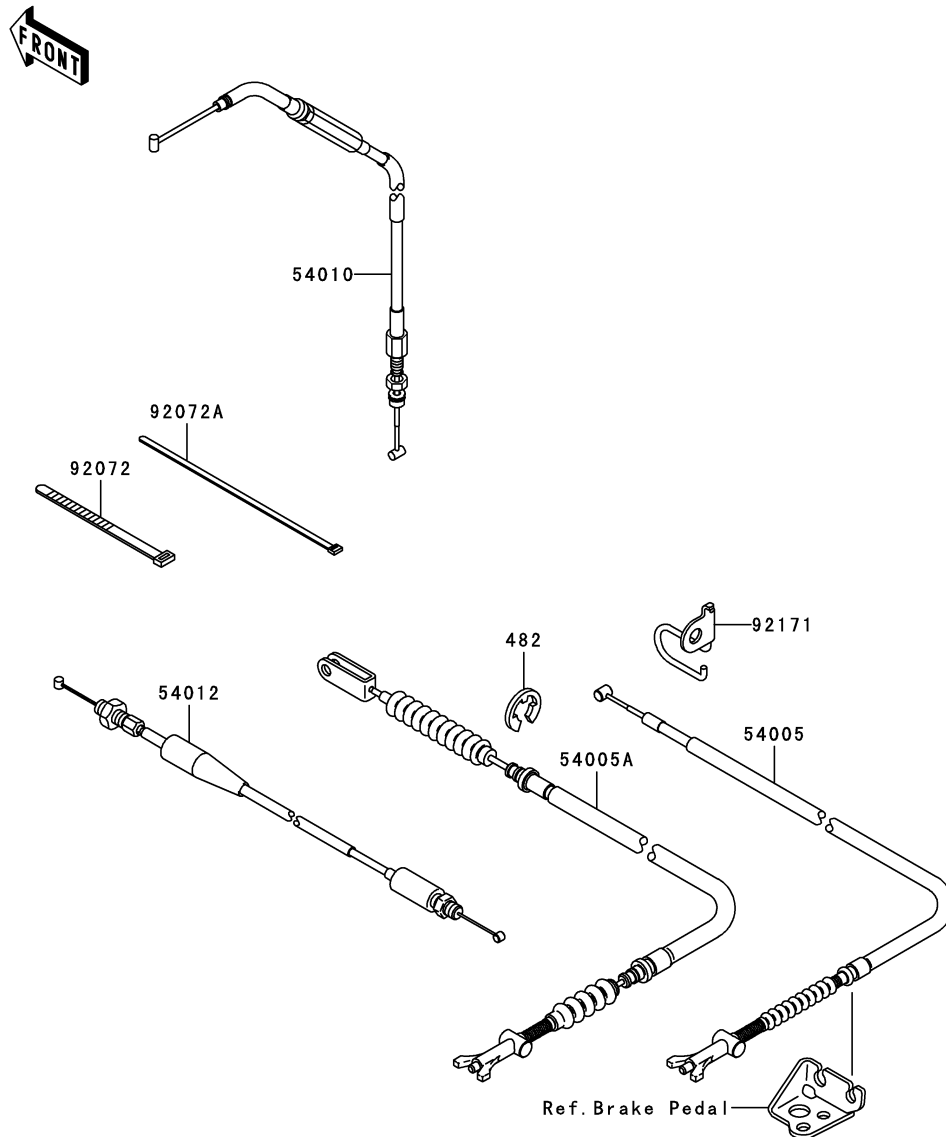
G-4

This grid covers:

Cables

F2540

| Ref. No. | Part No. | Description | Spec Code | Quantity-KVF750 | | | |
|----------|------------|-----------------------|-----------|-----------------|-----|--|--|
| | | | | '08 | '09 | | |
| | | | | D8F | D9F | | |
| 54005 | 54005-0017 | CABLE-BRAKE,PARKING | 1 | 1 | | | |
| 54005A | 54005-0018 | CABLE-BRAKE,FOOT | 1 | 1 | | | |
| 54010 | 54010-0064 | CABLE,FRONT DIFF LOCK | 1 | 1 | | | |
| 54012 | 54012-0207 | CABLE-THROTTLE | 1 | 1 | | | |
| 92072 | 92072-030 | BAND,L=123 | 1 | 1 | | | |
| 92072A | 92072-1239 | BAND,L=188 | 3 | 3 | | | |
| 92171 | 92171-0228 | CLAMPBRAKE CABLE | 1 | 1 | | | |
| 482 | 482EA8000 | CIRCLIP-TYPE-E,8MM | 1 | 1 | | | |



This catalog covers:

'08~'09 KVF750 D8F/D9F Chassis

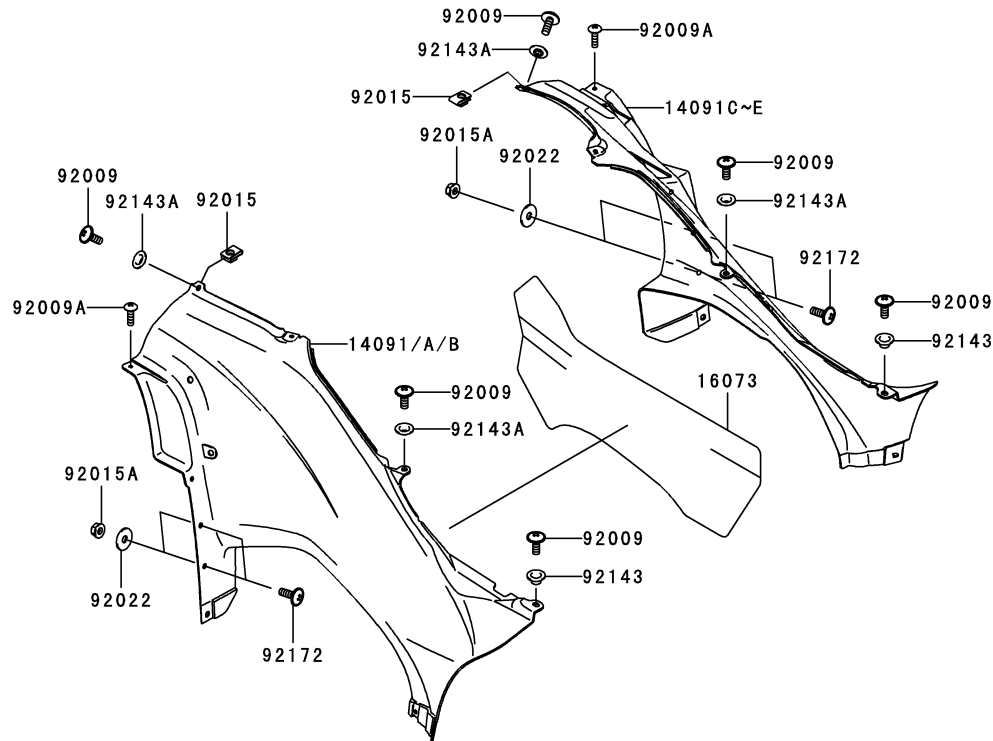
GRID NO.

G-5

This grid covers:

Side Covers

F2611



| Ref. No. | Part No. | Description | Spec Code | Quantity-KVF750 | | | |
|----------|----------------|-------------------------|-----------|-----------------|-----|-----|-----|
| | | | | '08 | '09 | D8F | D9F |
| 14091 | 14091-0137-286 | COVER,SIDE,LH,W.GREEN | | | | | |
| | L----- | | EU,UK | 1 | 1 | | |
| 14091A | 14091-0137-290 | COVER,SIDE,LH,L.GREEN | | | | | |
| | L----- | | AS | 1 | 1 | | |
| 14091B | 14091-0137-839 | COVER,SIDE,LH,BLACK | | | | | |
| | L----- | | EU,UK | 1 | 1 | | |
| 14091C | 14091-0138-286 | COVER,SIDE,RH,W.GREEN | | | | | |
| | L----- | | EU,UK | 1 | 1 | | |
| 14091D | 14091-0138-290 | COVER,SIDE,RH,L.GREEN | | | | | |
| | L----- | | AS | 1 | 1 | | |
| 14091E | 14091-0138-839 | COVER,SIDE,RH,BLACK | | | | | |
| | L----- | | EU,UK | 1 | 1 | | |
| 16073 | 16073-0030 | INSULATOR,SIDE COVER | | | | | |
| | | | | 1 | 1 | | |
| 92009 | 92009-1621 | SCREW,6X16 | | | | | |
| | | | | 6 | 6 | | |
| 92009A | 92009-1655 | SCREW,5X18 | | | | | |
| | | | | 2 | 2 | | |
| 92015 | 92015-1602 | NUT,6MM | | | | | |
| | | | | 2 | 2 | | |
| 92015A | 92015-1603 | NUT,LOCK,FLANGED,6MM | | | | | |
| | | | | 4 | 4 | | |
| 92022 | 92022-1346 | WASHER,6.5X20X1.6,BLACK | | | | | |
| | | | | 4 | 4 | | |
| 92143 | 92143-1057 | COLLAR | | | | | |
| | | | | 2 | 2 | | |
| 92143A | 92143-1087 | COLLAR | | | | | |
| | | | | 4 | 4 | | |
| 92172 | 92172-0002 | SCREW,6X18 | | | | | |
| | | | | 4 | 4 | | |

This catalog covers:

'08~'09 KVF750 D8F/D9F Chassis

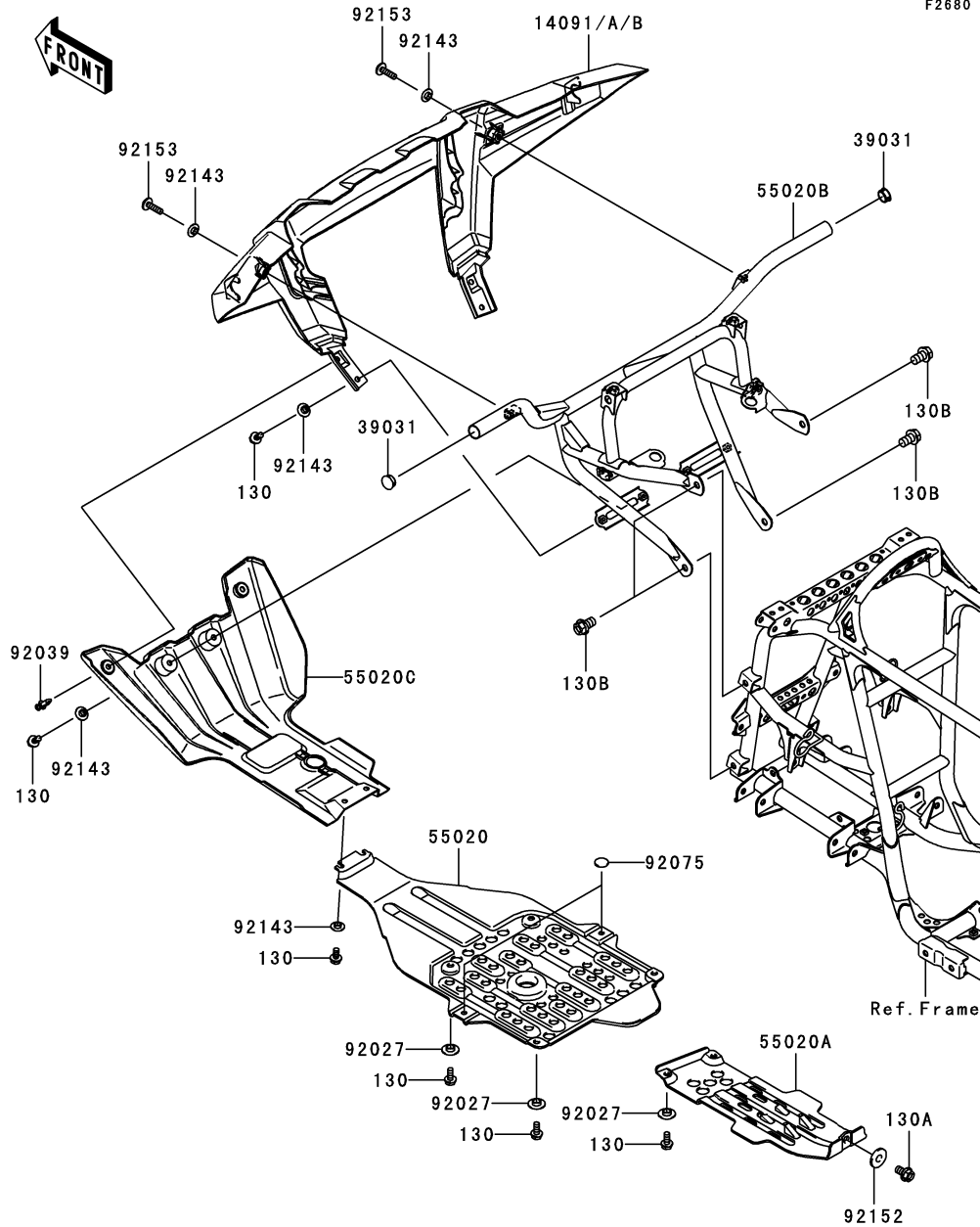
GRID NO.

G-6

This grid covers:

Guard(s)

F2680



| Ref. No. | Part No. | Description | Spec Code | Quantity-KVF750 | | | |
|----------|----------------|----------------------------|-----------|-----------------|-----|----|----|
| | | | | '08 | '09 | | |
| | | | | D8F | D9F | | |
| 14091 | 14091-0961-286 | COVER,FRONT BUMPER,W.GREEN | | | | | |
| | | ----- L ----- | EU,UK | 1 | 1 | | |
| 14091A | 14091-0961-290 | COVER,FRONT BUMPER,L.GREEN | | | | | |
| | | ----- L ----- | AS | 1 | 1 | | |
| 14091B | 14091-0961-6Z | COVER,FRONT BUMPER,F.BLACK | | | | | |
| | | ----- L ----- | EU,UK | 1 | 1 | | |
| 39031 | 39031-0011 | CAP-END | | | | | |
| 55020 | 55020-0065 | GUARD,ENGINE | | | | | |
| | | | | | | 1 | 1 |
| 55020A | 55020-0105 | GUARD,REAR GEAR BOX | | | | | |
| 55020B | 55020-0392 | GUARD,FR | | | | | |
| 55020C | 55020-0426-6Z | GUARD,FRONT SKID,F.BLACK | | | | | |
| 92027 | 92027-1964 | COLLAR,L=4.7 | | | | | |
| 92039 | 92039-1229 | RIVET | | | | | |
| | | | | | | 2 | 2 |
| 92075 | 92075-261 | DAMPER,RUBBER | | | | | |
| 92143 | 92143-1087 | COLLAR | | | | | |
| 92152 | 92152-0198 | COLLAR | | | | | |
| 92153 | 92153-0574 | BOLT,SOCKET,6X22 | | | | | |
| 130 | 130BB0614 | BOLT-FLANGED,6X14 | | | | | |
| | | | | | | 12 | 12 |
| 130A | 130BB0814 | BOLT-FLANGED,8X14 | | | | | |
| 130B | 130BB1016 | BOLT-FLANGED,10X16 | | | | | |
| | | | | | | 1 | 1 |
| | | | | | | 4 | 4 |

This catalog covers:

'08~'09 KVF750 D8F/D9F Chassis

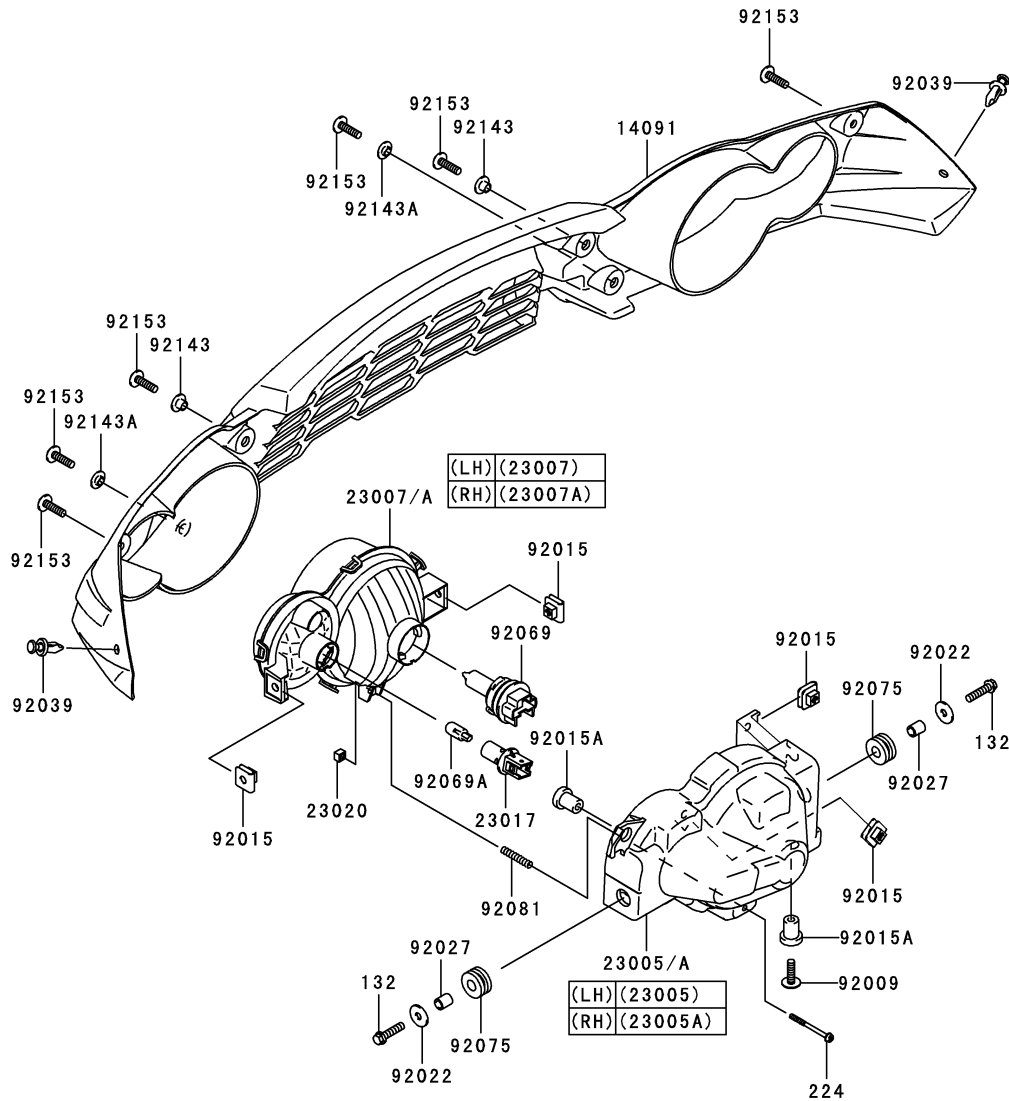
GRID NO.

G-7

This grid covers:

Headlight(s)

F2710



| Ref. No. | Part No. | Description | Spec Code | Quantity-KVF750 | | | |
|----------|---------------|-------------------------|-----------|-----------------|-----|--|--|
| | | | | '08 | '09 | | |
| | | | | D8F | D9F | | |
| 14091 | 14091-0736-6Z | COVER,HEAD LAMP,F.BLACK | 1 | 1 | | | |
| 23005 | 23005-0006 | BODY-COMP-HEAD LAMP,LH | 1 | 1 | | | |
| 23005A | 23005-0007 | BODY-COMP-HEAD LAMP,RH | 1 | 1 | | | |
| 23007 | 23007-0024 | LENS-COMP,HEAD LAMP,LH | 1 | 1 | | | |
| 23007A | 23007-0025 | LENS-COMP,HEAD LAMP,RH | 1 | 1 | | | |
| 23017 | 23017-0001 | SOCKET,HEAD LAMP | 2 | 2 | | | |
| 23020 | 23020-018 | NUT,4MM,FOCUS ADJUST | 2 | 2 | | | |
| 92009 | 92009-1664 | SCREW,6X22 | 2 | 2 | | | |
| 92015 | 92015-1094 | NUT,6MM | 8 | 8 | | | |
| 92015A | 92015-1692 | NUT,RUBBER,6MM | 4 | 4 | | | |
| 92022 | 92022-125 | WASHER,6.5X20X1.6 | 4 | 4 | | | |
| 92027 | 92027-162 | COLLAR,6.8X10X12 | 4 | 4 | | | |
| 92039 | 92039-1229 | RIVET | 2 | 2 | | | |
| 92069 | 92069-0005 | BULB,12V 40/40W | 2 | 2 | | | |
| 92069A | 92069-0006 | BULB,12V 5W | 2 | 2 | | | |
| 92075 | 92075-1690 | DAMPER | 4 | 4 | | | |
| 92081 | 92081-1896 | SPRING,FOCUS ADJUST | 2 | 2 | | | |
| 92143 | 92143-1057 | COLLAR | 2 | 2 | | | |
| 92143A | 92143-1087 | COLLAR | 2 | 2 | | | |
| 92153 | 92153-0574 | BOLT,SOCKET,6X22 | 6 | 6 | | | |
| 132 | 132BA0625 | BOLT-FLANGED-SMALL,6X25 | 4 | 4 | | | |
| 224 | 224AA0445 | SCREW-PAN-WP-CROS,4X45 | 2 | 2 | | | |

This catalog covers:

'08~'09 KVF750 D8F/D9F Chassis

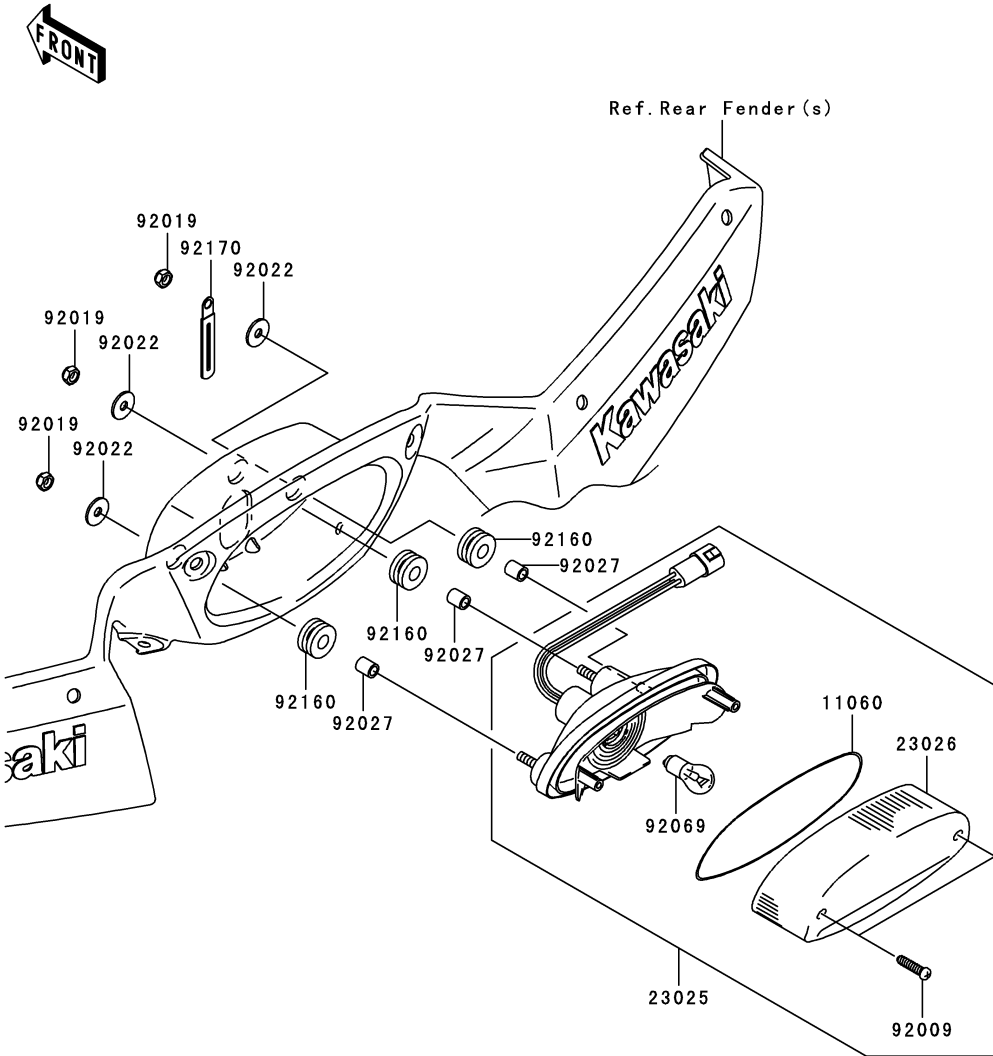
GRID NO.

G-8

This grid covers:

Taillight(s)

F2720



| Ref. No. | Part No. | Description | Spec Code | Quantity-KVF750 | | | |
|----------|------------|-----------------------|-----------|-----------------|-----|--|--|
| | | | | '08 | '09 | | |
| | | | | D8F | D9F | | |
| 11060 | 11060-1174 | GASKET,TAIL LAMP LENS | 1 | 1 | | | |
| 23025 | 23025-0011 | LAMP-TAIL | 1 | 1 | | | |
| 23026 | 23026-1183 | LENS,TAIL LAMP | 1 | 1 | | | |
| 92009 | 92009-1378 | SCREW,TAPPING,4X20 | 2 | 2 | | | |
| 92019 | 92019-008 | NUT,LOCK,6MM | 3 | 3 | | | |
| 92022 | 92022-1557 | WASHER,6.5X20X1.6 | 3 | 3 | | | |
| 92027 | 92027-162 | COLLAR,6.8X10X12 | 3 | 3 | | | |
| 92069 | 92069-063 | BULB,12V 21/5W | 1 | 1 | | | |
| 92160 | 92160-1162 | DAMPER | 3 | 3 | | | |
| 92170 | 92170-1514 | CLAMP | 1 | 1 | | | |

This catalog covers:

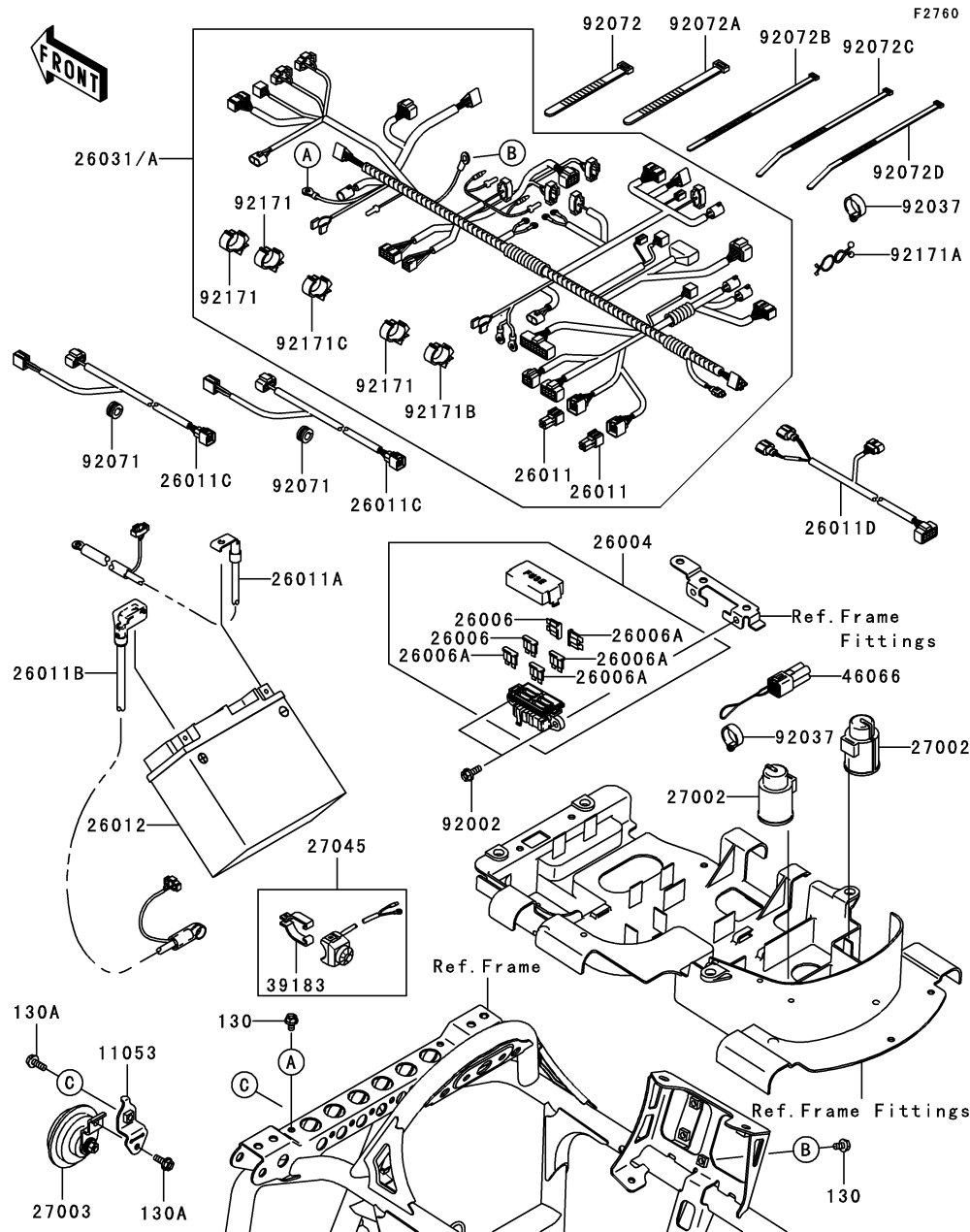
'08~'09 KVF750 D8F/D9F Chassis

GRID NO.

G-9

This grid covers:

Chassis Electrical Equipment



| Ref. No. | Part No. | Description | Spec Code | Quantity-KVF750 | | | |
|----------|------------|------------------------------|-----------|-----------------|-----|--|--|
| | | | | '08 | '09 | | |
| | | | | D8F | D9F | | |
| 11053 | 11053-0912 | BRACKET,HORN | 1 | 1 | | | |
| 26004 | 26004-0016 | FUSE-ASSY | 1 | 1 | | | |
| 26006 | 26006-0004 | FUSE,30A | 2 | 2 | | | |
| 26006A | 26006-0005 | FUSE,10A | 4 | 4 | | | |
| 26011 | 26011-0037 | WIRE-LEAD | 2 | 2 | | | |
| 26011A | 26011-0137 | WIRE-LEAD,BATTERY(-) | 1 | 1 | | | |
| 26011B | 26011-0138 | WIRE-LEAD,BATTERY(+) | 1 | 1 | | | |
| 26011C | 26011-0141 | WIRE-LEAD,HEAD LAMP | 2 | 2 | | | |
| 26011D | 26011-0150 | WIRE-LEAD,HARNESS INJECTOR | 1 | 1 | | | |
| 26012 | 26012-1414 | BATTERY,MF,KMX14-BS,12V 12AH | 1 | 1 | | | |
| 26031 | 26031-0629 | HARNESS,MAIN | 1 | | | | |
| 26031A | 26031-0654 | HARNESS,MAIN | | 1 | | | |
| 27002 | 27002-1062 | RELAY-ASSY | 2 | 2 | | | |
| 27003 | 27003-1276 | HORN | 1 | 1 | | | |
| 27045 | 27045-0003 | SWITCH-ASSY,HORN | 1 | 1 | | | |
| 39183 | 39183-0002 | BAND-ASSY,ENGINE STOP SWITCH | 1 | 1 | | | |
| 46066 | 46066-0001 | CONNECTOR-ASSY,RESET | 1 | 1 | | | |
| 92002 | 92002-1571 | BOLT,6X16 | 2 | 2 | | | |
| 92037 | 92037-1827 | CLAMP,HOSE | 10 | 10 | | | |
| 92071 | 92071-1128 | GROMMET | 2 | 2 | | | |
| 92072 | 92072-030 | BAND,L=123 | 4 | 4 | | | |
| 92072A | 92072-031 | BAND,L=149 | 1 | 1 | | | |
| 92072B | 92072-056 | BAND,L=186 | 1 | 1 | | | |
| 92072C | 92072-1239 | BAND,L=188 | 4 | 4 | | | |
| 92072D | 92072-3509 | BAND,L=292.1 | 1 | 1 | | | |
| 92171 | 92171-0081 | CLAMP,DIA=20 | 3 | 3 | | | |
| 92171A | 92171-0476 | CLAMP | 1 | 1 | | | |
| 92171B | 92171-1423 | CLAMP,DIA=10 | 1 | 1 | | | |
| 92171C | 92171-1424 | CLAMP,DIA=15 | 1 | 1 | | | |
| 130 | 130BB0610 | BOLT-FLANGED,6X10 | 2 | 2 | | | |
| 130A | 130BB0616 | BOLT-FLANGED,6X16 | 2 | 2 | | | |

This catalog covers:

'08~'09 KVF750 D8F/D9F Chassis

GRID NO.

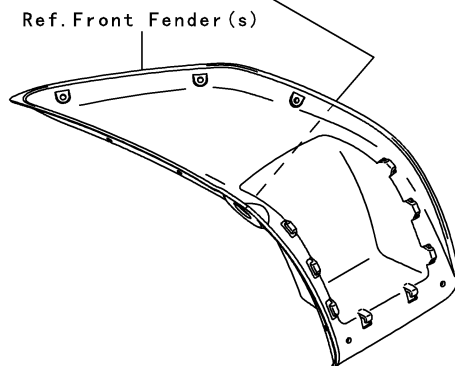
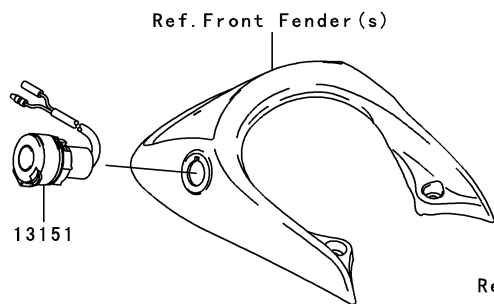
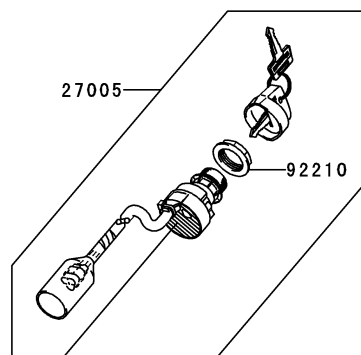
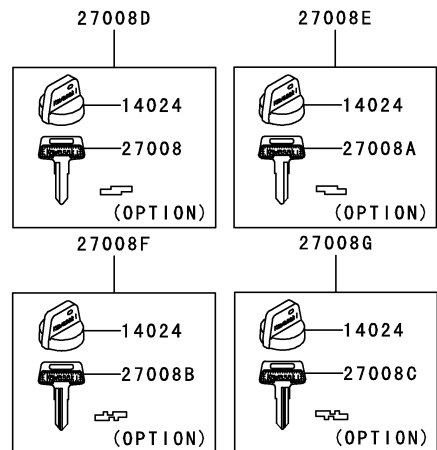
G-10

This grid covers:

Ignition Switch

F2770

| Ref. No. | Part No. | Description | Spec Code | Quantity-KVF750 | | | |
|----------|------------|--------------------------|-----------|-----------------|-----|--|--|
| | | | | '08 | '09 | | |
| | | | | D8F | D9F | | |
| 13151 | 13151-0003 | SWITCH-COMP,D.C.TERMINAL | 1 | 1 | | | |
| 14024 | 14024-1551 | COVER,KEY | 4 | 4 | | | |
| | (OPTION) | | | | | | |
| 27005 | 27005-0019 | SWITCH-ASSY-IGNITION | 1 | 1 | | | |
| 27008 | 27008-1041 | KEY-LOCK,BLANK | 1 | 1 | | | |
| | (OPTION) | | | | | | |
| 27008A | 27008-1042 | KEY-LOCK,BLANK | 1 | 1 | | | |
| | (OPTION) | | | | | | |
| 27008B | 27008-1043 | KEY-LOCK,BLANK | 1 | 1 | | | |
| | (OPTION) | | | | | | |
| 27008C | 27008-1044 | KEY-LOCK,BLANK | 1 | 1 | | | |
| | (OPTION) | | | | | | |
| 27008D | 27008-1132 | KEY-LOCK,BLANK,W/COVER | 1 | 1 | | | |
| | (OPTION) | | | | | | |
| 27008E | 27008-1133 | KEY-LOCK,BLANK,W/COVER | 1 | 1 | | | |
| | (OPTION) | | | | | | |
| 27008F | 27008-1134 | KEY-LOCK,BLANK,W/COVER | 1 | 1 | | | |
| | (OPTION) | | | | | | |
| 27008G | 27008-1135 | KEY-LOCK,BLANK,W/COVER | 1 | 1 | | | |
| | (OPTION) | | | | | | |
| 92210 | 92210-1109 | NUT,IGNITION SWITCH | 1 | 1 | | | |



This catalog covers:

'08~'09 KVF750 D8F/D9F Chassis

GRID NO.

G-11

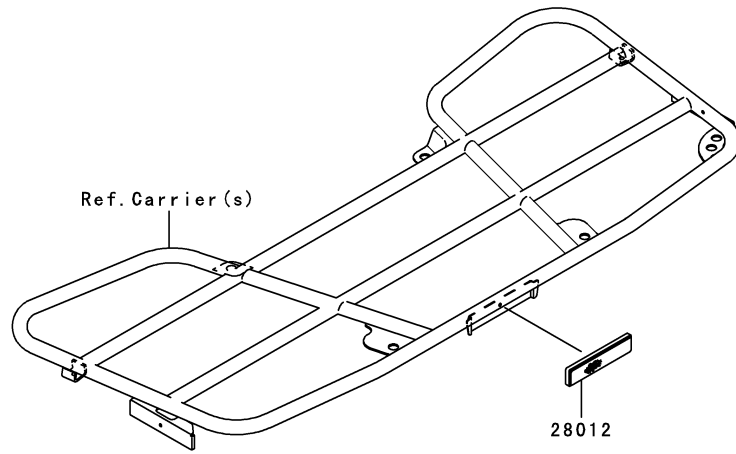
This grid covers:

Reflectors



F2790

| Ref. No. | Part No. | Description | Spec Code | Quantity-KVF750 | | | |
|----------|------------|---------------------|-----------|-----------------|-----|--|--|
| | | | | '08 | '09 | | |
| 28012 | 28012-1087 | REFLECTOR-REFLEX,RR | | | | | |
| | | L----- | EU,UK | 1 | 1 | | |



This catalog covers:

'08~'09 KVF750 D8F/D9F Chassis

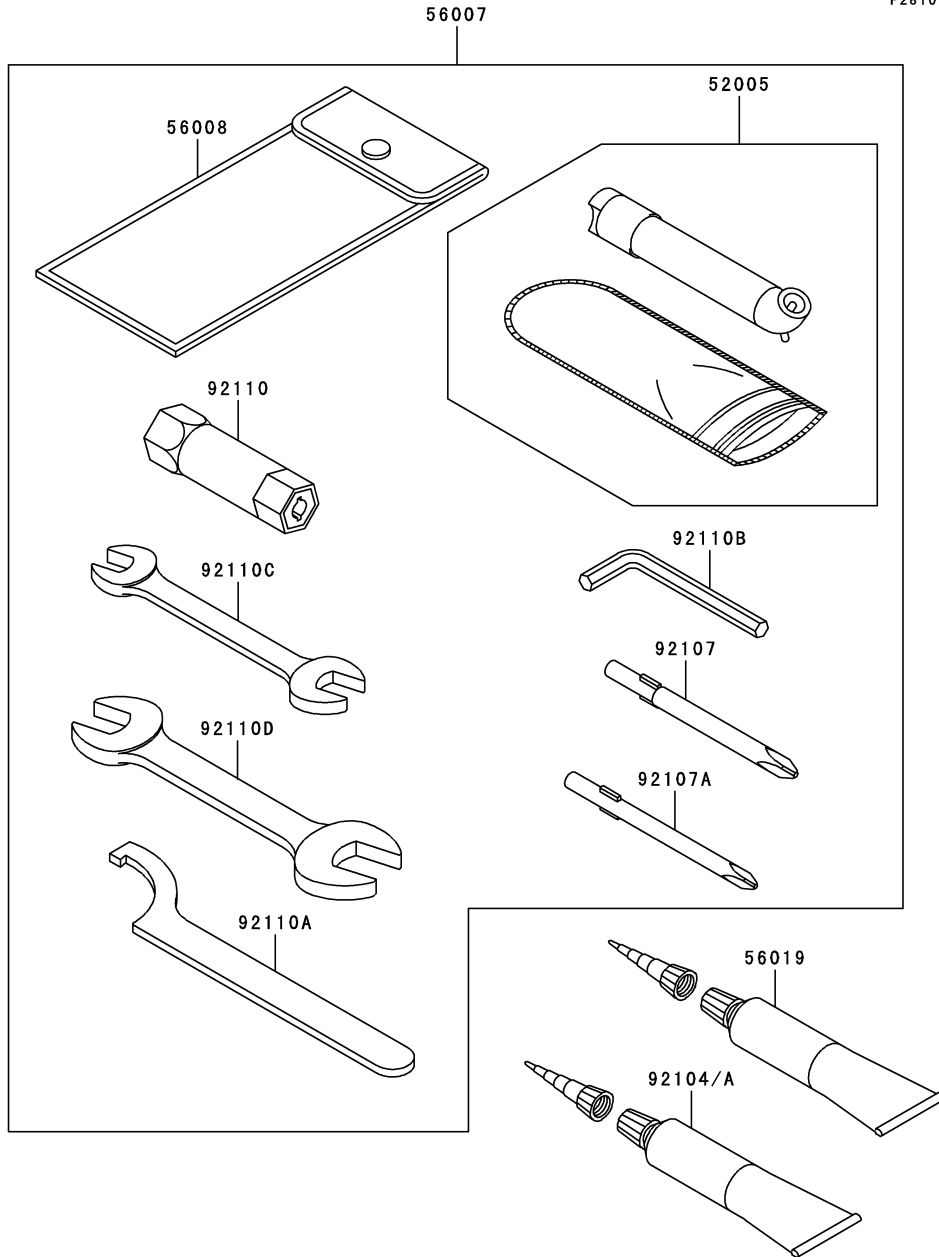
GRID NO.

G-12

This grid covers:

Owner's Tools

F2810



| Ref. No. | Part No. | Description | Spec Code | Quantity-KVF750 | | | |
|----------|------------|-----------------------------|-----------|-----------------|-----|--|--|
| | | | | '08 | '09 | | |
| | | | | D8F | D9F | | |
| 52005 | 52005-1082 | GAUGE,AIR | 1 | 1 | | | |
| 56007 | 56007-0014 | TOOL-KIT | 1 | 1 | | | |
| 56008 | 56008-1007 | BAG,TOOL | 1 | 1 | | | |
| 56019 | 56019-120 | GASKET-LIQUID,TB1211,WHITE | 1 | 1 | | | |
| 92104 | 92104-0004 | GASKET-LIQUID,TB1211F,CLEAR | 1 | 1 | | | |
| 92104A | 92104-1063 | GASKET-LIQUID,TB1216,GRAY | 1 | 1 | | | |
| 92107 | 92107-005 | TOOL-DRIVER,#3PHILLIPS | 1 | 1 | | | |
| 92107A | 92107-1053 | TOOL-DRIVER,#2PHILLIPS | 1 | 1 | | | |
| 92110 | 92110-1116 | TOOL-WRENCH,BOX,16MM | 1 | 1 | | | |
| 92110A | 92110-1129 | TOOL-WRENCH,HOOK | 1 | 1 | | | |
| 92110B | 92110-1140 | TOOL-WRENCH,ALLEN,3MM | 1 | 1 | | | |
| 92110C | 92110-1152 | TOOL-WRENCH,OPEN END,10X12 | 1 | 1 | | | |
| 92110D | 92110-1153 | TOOL-WRENCH,OPEN END,14X17 | 1 | 1 | | | |

This catalog covers:

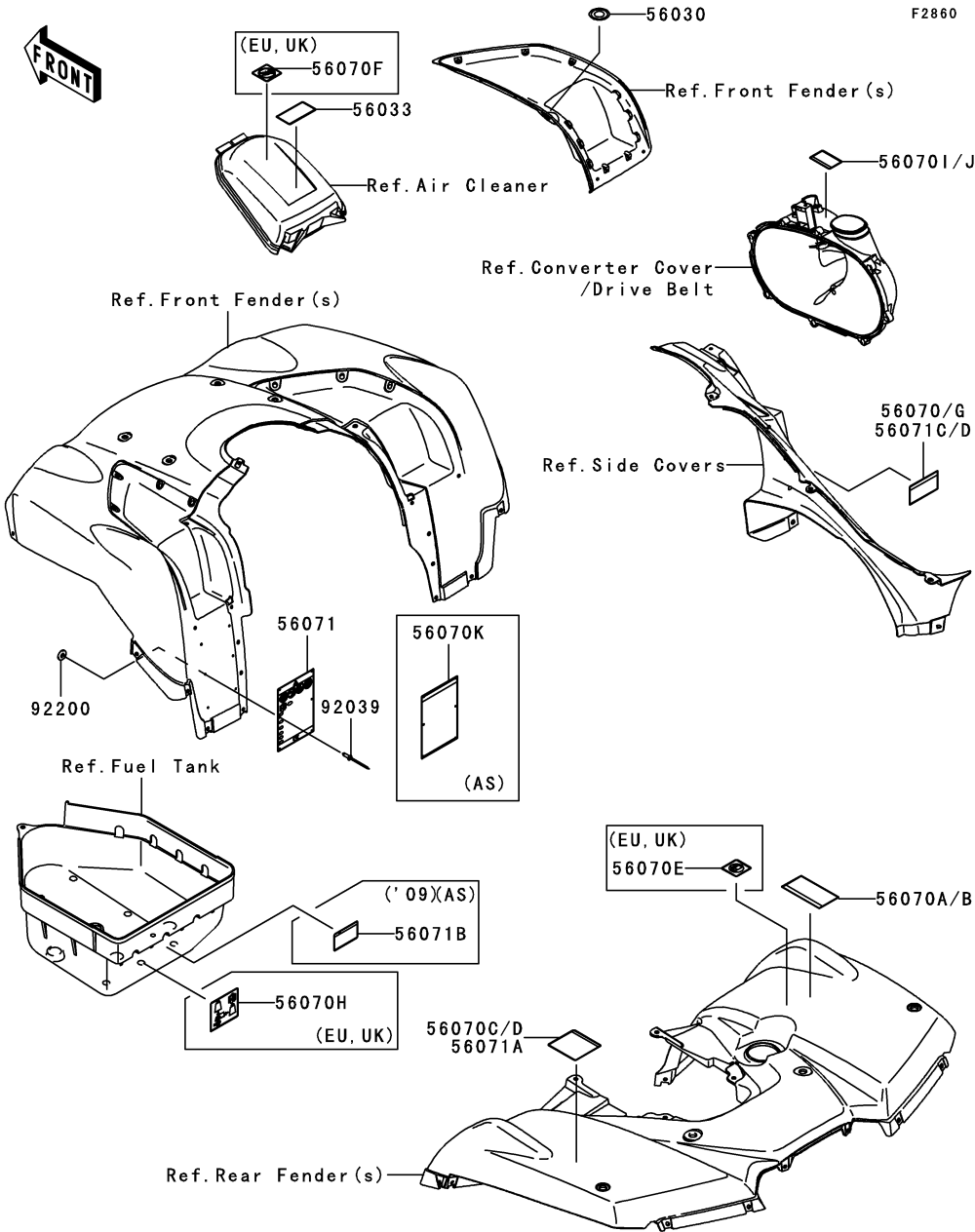
'08~'09 KVF750 D8F/D9F Chassis

GRID NO.

G-13

This grid covers:

Labels



F2860

| Ref. No. | Part No. | Description | Spec Code | Quantity-KVF750 | | | |
|----------|------------|-----------------------------------|-----------|-----------------|-----|--|--|
| | | | | '08 | '09 | | |
| | | | | D8F | D9F | | |
| 56030 | 56030-0018 | LABEL,IGNITION SWITCH | 1 | 1 | | | |
| 56033 | 56033-0064 | LABEL-MANUAL,AIR CLEANER | 1 | 1 | | | |
| 56070 | 56070-0037 | LABEL-WARNING,SHIFT LEVER(FRENCH) | | | | | |
| | L----- | EU | 1 | | | | |
| 56070A | 56070-0038 | LABEL-WARNING,DRIVE BELT | 1 | 1 | | | |
| 56070B | 56070-0039 | LABEL-WARNING,DRIVE BELT(FRENCH) | | | | | |
| | L----- | EU | 1 | 1 | | | |
| 56070C | 56070-0045 | LABEL-WARNING,TIRE&MAX LOAD | | | | | |
| | L----- | AS | 1 | | | | |
| 56070D | 56070-0046 | LABEL-WARNING,TIRE INFO | | | | | |
| | L----- | EU,UK | 1 | 1 | | | |
| 56070E | 56070-1108 | LABEL-WARNING,FUEL UNLEADED | | | | | |
| | L----- | EU,UK | 1 | 1 | | | |
| 56070F | 56070-1110 | LABEL-WARNING,AGE RECOMMEND | | | | | |
| | L----- | EU,UK | 1 | 1 | | | |
| 56070G | 56070-1170 | LABEL-WARNING,SHIFT LEVER | 1 | | | | |
| 56070H | 56070-1266 | LABEL-WARNING,TOWING | | | | | |
| | L----- | EU,UK | 1 | 1 | | | |
| 56070I | 56070-1269 | LABEL-WARNING,CVT COVER | 1 | 1 | | | |
| 56070J | 56070-1271 | LABEL-WARNING,CVT COVER(FRENCH) | | | | | |
| | L----- | EU | 1 | 1 | | | |
| 56070K | 56070-1286 | LABEL-WARNING,GENERAL | | | | | |
| | L----- | AS | 1 | 1 | | | |
| 56071 | 56071-0036 | LABEL-WARNING,GENERAL | | | | | |
| | L----- | EU,UK | 1 | 1 | | | |
| 56071A | 56071-0073 | LABEL-WARNING,TIRE&MAX LOAD | | | | | |
| | L----- | AS | 1 | | | | |
| 56071B | 56071-0079 | LABEL-WARNING,TOWING | | | | | |
| | L----- | AS | 1 | | | | |
| 56071C | 56071-0090 | LABEL-WARNING,SHIFT LEVER | 1 | | | | |
| 56071D | 56071-0092 | LABEL-WARNING,SHIFT LEVER(FRENCH) | | | | | |
| | L----- | EU | 1 | | | | |
| 92039 | 92039-3763 | RIVET,3.2X8 | 6 | 6 | | | |
| 92200 | 92200-1251 | WASHER,3.5X8X1 | 6 | 6 | | | |

This catalog covers:

'08~'09 KVF750 D8F/D9F Chassis

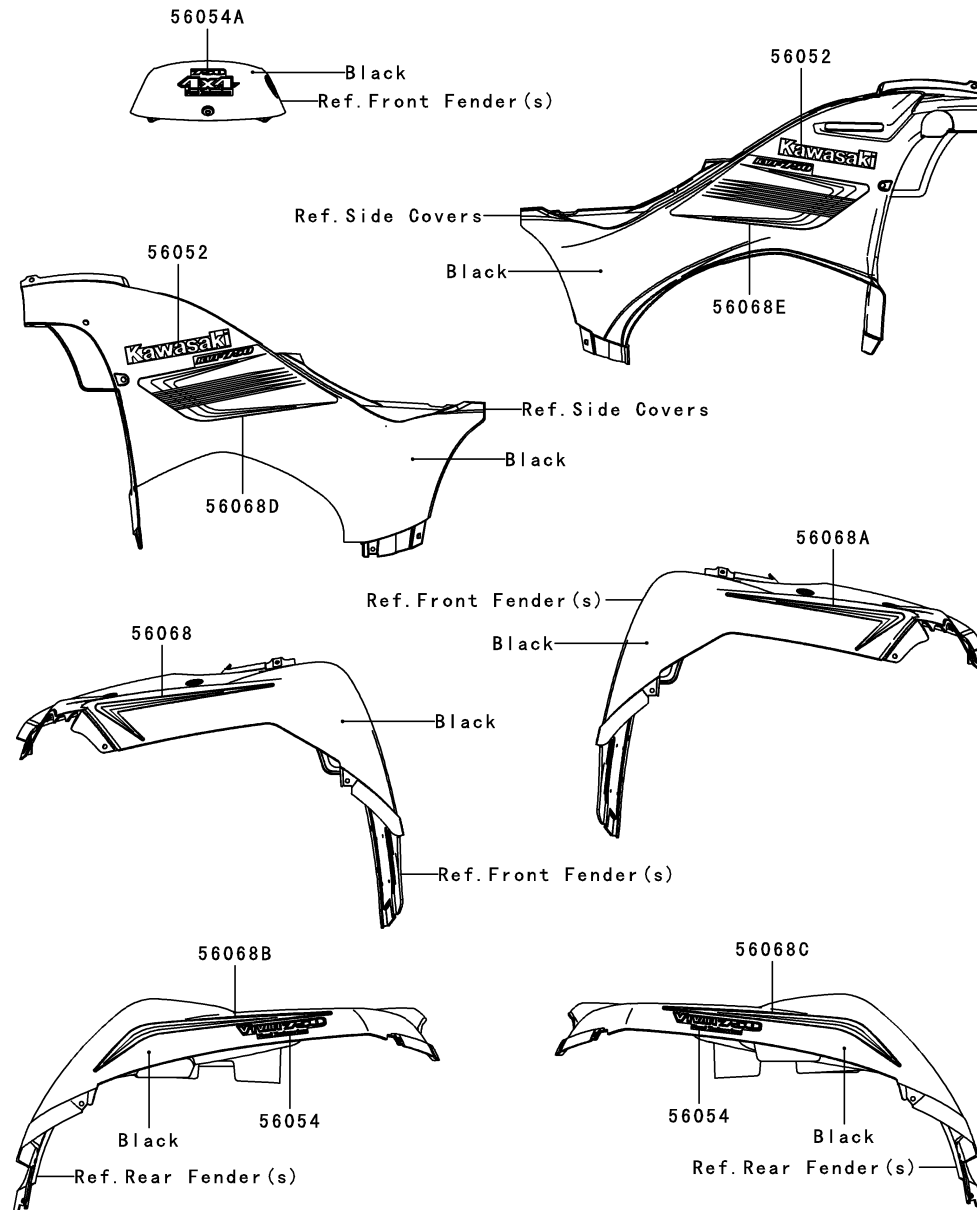
GRID NO.

G-14

This grid covers:

Decals(Black)(D8F)(EU,UK)

F2861



| Ref. No. | Part No. | Description | Spec Code | Quantity-KVF750 | | | |
|----------|------------|---------------------------|-----------|-----------------|-----|--|---|
| | | | | '08 | '09 | | |
| 56052 | 56052-0947 | MARK,SIDE COVER,KAWASAKI | | | | | |
| | L----- | | | | | | |
| 56054 | 56054-0095 | MARK,RR FENDER,V TWIN 750 | EU,UK | | | | 2 |
| | L----- | | | | | | |
| 56054A | 56054-0096 | MARK,TOP COVER,750 4X4 | EU,UK | | | | 2 |
| | L----- | | | | | | |
| 56068 | 56068-0357 | PATTERN,FR FENDER,LH | EU,UK | | | | 1 |
| | L----- | | | | | | |
| 56068A | 56068-0358 | PATTERN,FR FENDER,RH | EU,UK | | | | 1 |
| | L----- | | | | | | |
| 56068B | 56068-0411 | PATTERN,RR FENDER,LH | EU,UK | | | | 1 |
| | L----- | | | | | | |
| 56068C | 56068-0412 | PATTERN,RR FENDER,RH | EU,UK | | | | 1 |
| | L----- | | | | | | |
| 56068D | 56068-0503 | PATTERN,SIDE COVER,LH | EU,UK | | | | 1 |
| | L----- | | | | | | |
| 56068E | 56068-0504 | PATTERN,SIDE COVER,RH | EU,UK | | | | 1 |
| | L----- | | | | | | |

This catalog covers:

'08~'09 KVF750 D8F/D9F Chassis

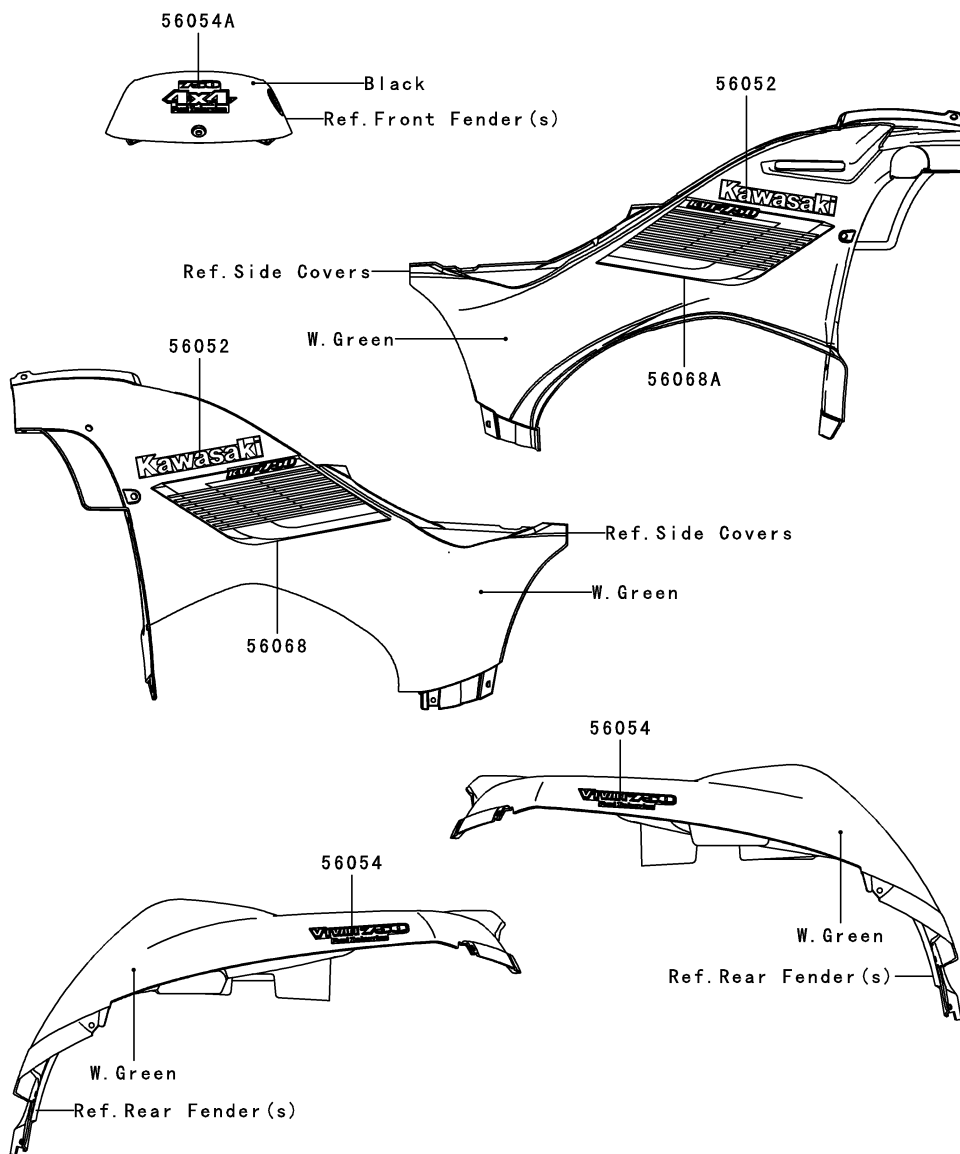
GRID NO.

H-3

This grid covers:

Decals(W.Green)(D8F)(EU,UK)

F2861A



| Ref. No. | Part No. | Description | Spec Code | Quantity-KVF750 | | | |
|----------|------------|---------------------------|-----------|-----------------|-----|--|--|
| | | | | '08 | '09 | | |
| 56052 | 56052-0947 | MARK,SIDE COVER,KAWASAKI | | | | | |
| | | L----- | EU,UK | 2 | | | |
| 56054 | 56054-0093 | MARK,RR FENDER,V TWIN 750 | | | | | |
| | | L----- | EU,UK | 2 | | | |
| 56054A | 56054-0096 | MARK,TOP COVER,750 4X4 | | | | | |
| | | L----- | EU,UK | 1 | | | |
| 56068 | 56068-0501 | PATTERN,SIDE COVER,LH | | | | | |
| | | L----- | EU,UK | 1 | | | |
| 56068A | 56068-0502 | PATTERN,SIDE COVER,RH | | | | | |
| | | L----- | EU,UK | 1 | | | |

This catalog covers:

'08~'09 KVF750 D8F/D9F Chassis

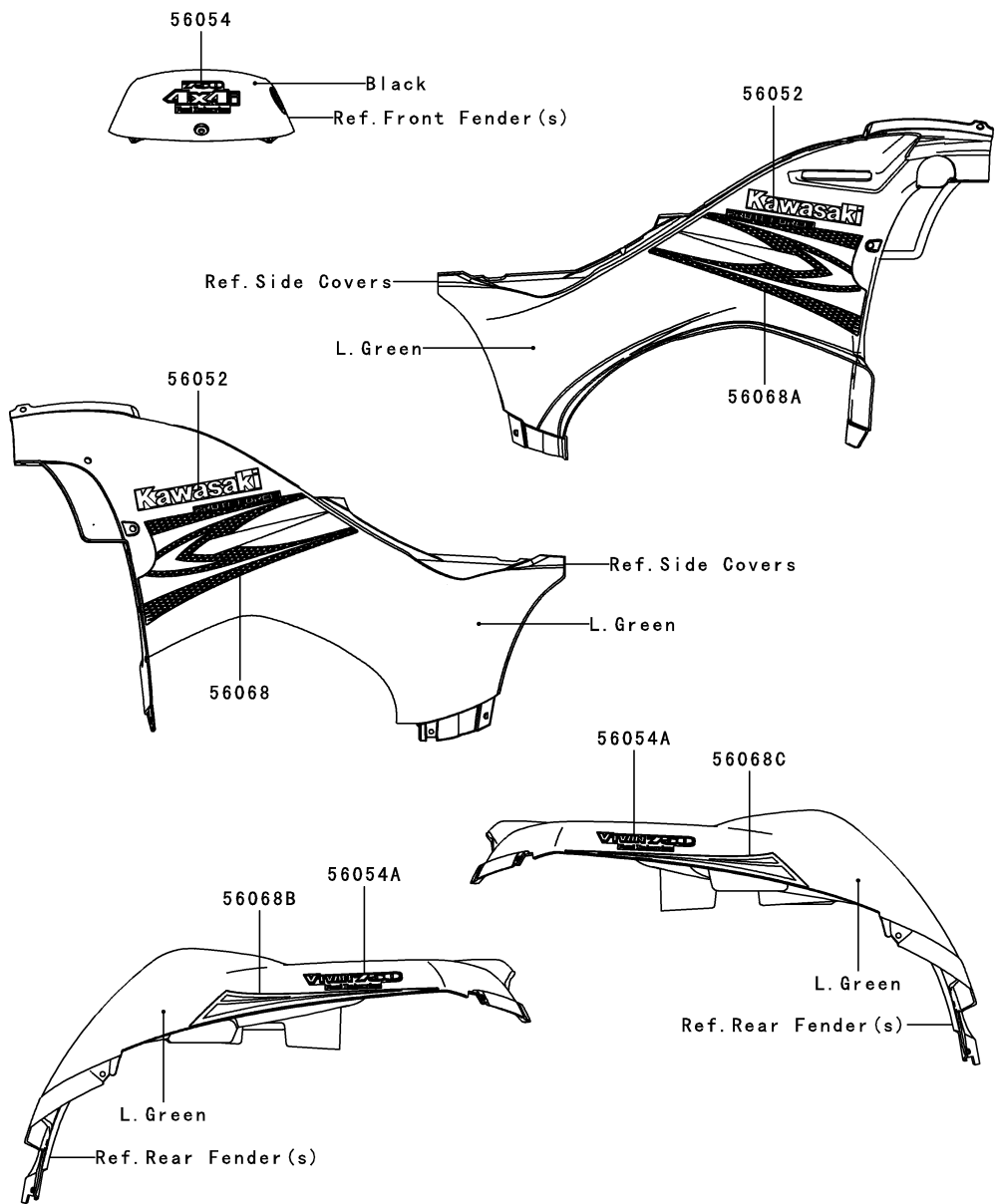
GRID NO.

H-4

This grid covers:

Decals(L.Green)(D8F)(AS)

F2861B



| Ref. No. | Part No. | Description | Spec Code | Quantity-KVF750 | | | |
|----------|------------|---------------------------|-----------|-----------------|-----|--|--|
| | | | | '08 | '09 | | |
| 56052 | 56052-0455 | MARK,SIDE COVER,KAWASAKI | | | | | |
| | | L----- | AS | 2 | | | |
| 56054 | 56054-0092 | MARK, TOP COVER,750 4X4I | | | | | |
| | | L----- | AS | 1 | | | |
| 56054A | 56054-0094 | MARK,RR FENDER,V TWIN 750 | | | | | |
| | | L----- | AS | 2 | | | |
| 56068 | 56068-0497 | PATTERN,SIDE COVER,LH | | | | | |
| | | L----- | AS | 1 | | | |
| 56068A | 56068-0498 | PATTERN,SIDE COVER,RH | | | | | |
| | | L----- | AS | 1 | | | |
| 56068B | 56068-0499 | PATTERN,RR FENDER,LH | | | | | |
| | | L----- | AS | 1 | | | |
| 56068C | 56068-0500 | PATTERN,RR FENDER,RH | | | | | |
| | | L----- | AS | 1 | | | |

This catalog covers:

'08~'09 KVF750 D8F/D9F Chassis

GRID NO.

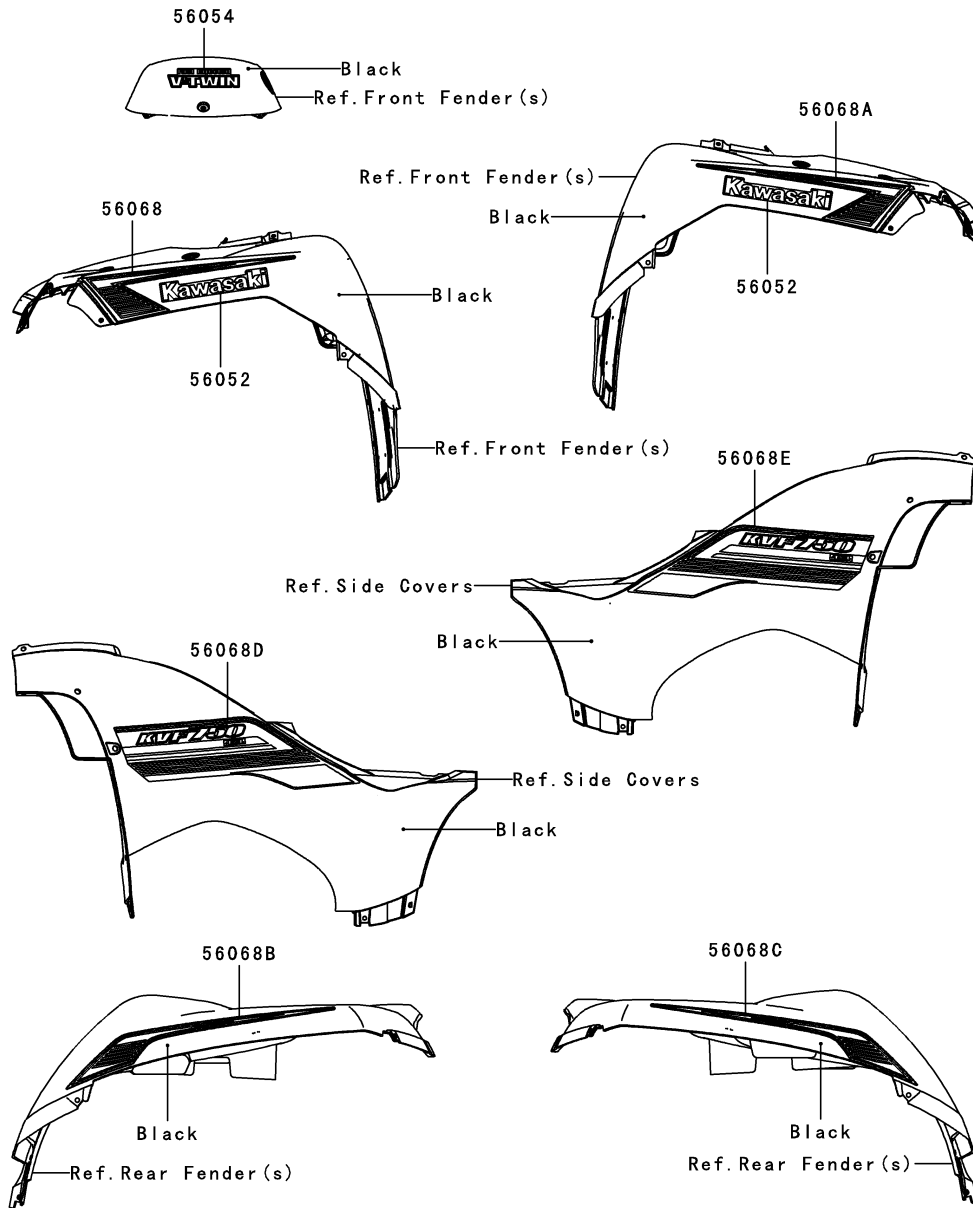
H-5

This grid covers:

Decals(Black)(D9F)(EU,UK)

F28610

| Ref. No. | Part No. | Description | Spec Code | Quantity-KVF750 | | | |
|----------|------------|---------------------------|-----------|-----------------|-----|--|---|
| | | | | '08 | '09 | | |
| 56052 | 56052-0947 | MARK,FR FENDER,KAWASAKI | | | | | |
| | L----- | | EU,UK | | | | 2 |
| 56054 | 56054-0229 | MARK,FUEL INJECTED V-TWIN | | | | | |
| | L----- | | EU,UK | | | | 1 |
| 56068 | 56068-1154 | PATTERN,FR FENDER,LH | | | | | |
| | L----- | | EU,UK | | | | 1 |
| 56068A | 56068-1155 | PATTERN,FR FENDER,RH | | | | | |
| | L----- | | EU,UK | | | | 1 |
| 56068B | 56068-1156 | PATTERN,RR FENDER,LH | | | | | |
| | L----- | | EU,UK | | | | 1 |
| 56068C | 56068-1157 | PATTERN,RR FENDER,RH | | | | | |
| | L----- | | EU,UK | | | | 1 |
| 56068D | 56068-1164 | PATTERN,SIDE COVER,LH | | | | | |
| | L----- | | EU,UK | | | | 1 |
| 56068E | 56068-1165 | PATTERN,SIDE COVER,RH | | | | | |
| | L----- | | EU,UK | | | | 1 |



This catalog covers:

'08~'09 KVF750 D8F/D9F Chassis

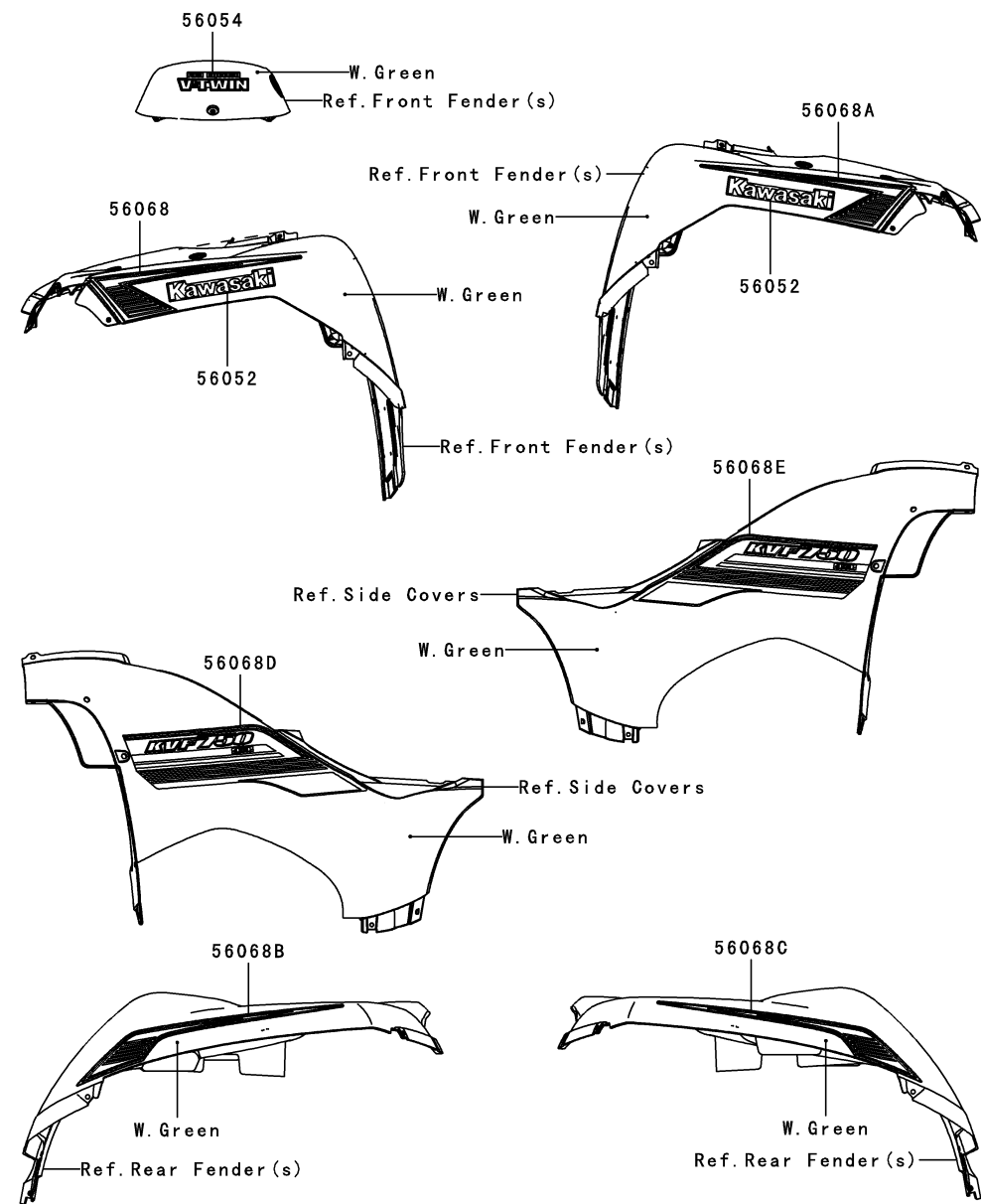
GRID NO.

H-6

This grid covers:

Decals(W.Green)(D9F)(EU,UK)

F2861D



| Ref. No. | Part No. | Description | Spec Code | Quantity-KVF750 | | | |
|----------|------------|---------------------------|-----------|-----------------|-----|--|--|
| | | | | '08 | '09 | | |
| 56052 | 56052-0947 | MARK,FR FENDER,KAWASAKI | | | | | |
| | L----- | | | | | | |
| 56054 | 56054-0229 | MARK,FUEL INJECTED V-TWIN | | | | | |
| | L----- | | | | | | |
| 56068 | 56068-1144 | PATTERN,FR FENDER,LH | | | | | |
| | L----- | | | | | | |
| 56068A | 56068-1145 | PATTERN,FR FENDER,RH | | | | | |
| | L----- | | | | | | |
| 56068B | 56068-1146 | PATTERN,RR FENDER,LH | | | | | |
| | L----- | | | | | | |
| 56068C | 56068-1147 | PATTERN,RR FENDER,RH | | | | | |
| | L----- | | | | | | |
| 56068D | 56068-1162 | PATTERN,SIDE COVER,LH | | | | | |
| | L----- | | | | | | |
| 56068E | 56068-1163 | PATTERN,SIDE COVER,RH | | | | | |
| | L----- | | | | | | |

This catalog covers:

'08~'09 KVF750 D8F/D9F Chassis

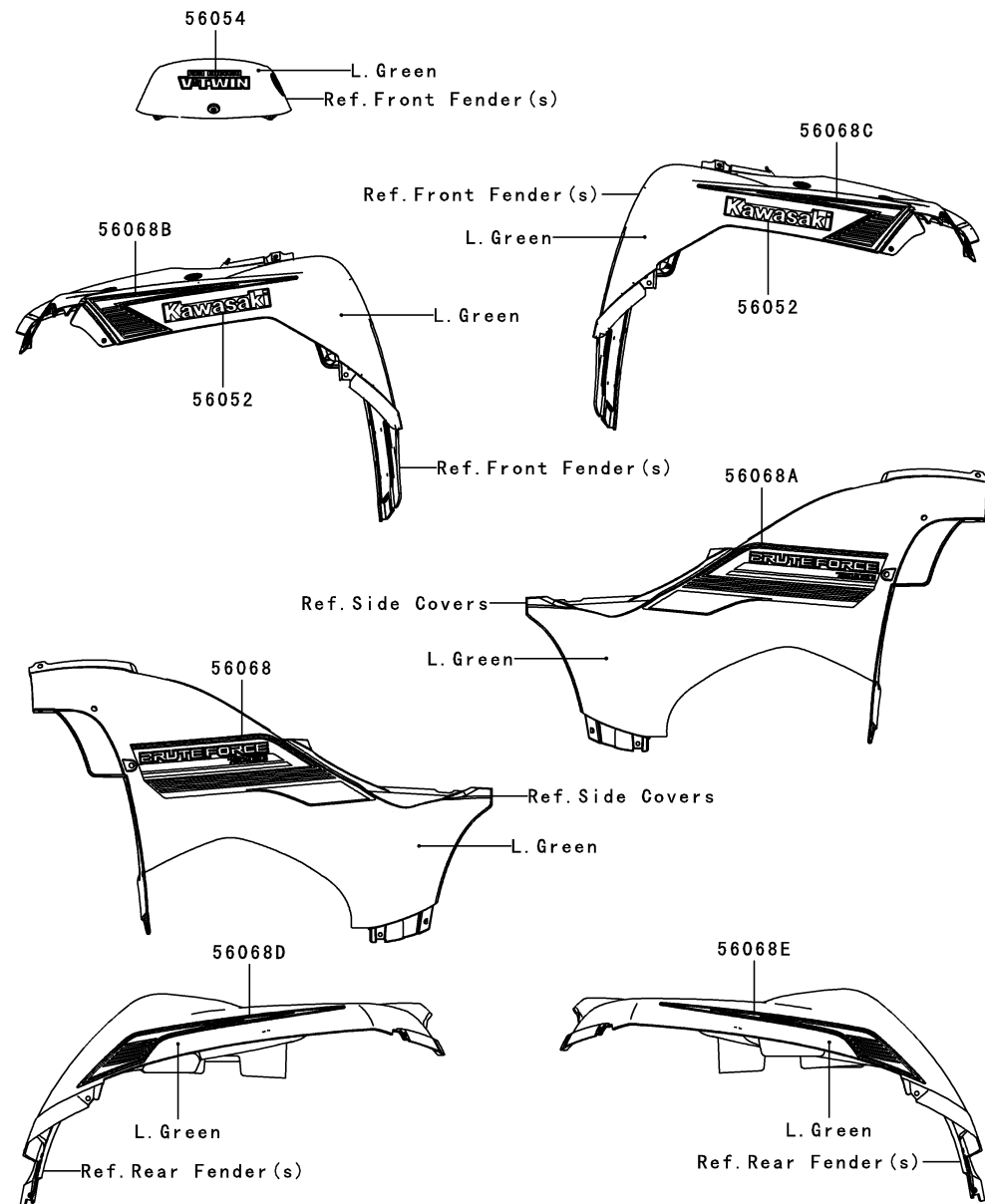
GRID NO.

H-7

This grid covers:

Decals(L.Green)(D9F)(AS)

F2861E



| Ref. No. | Part No. | Description | Spec Code | Quantity-KVF750 | | | |
|----------|------------|---------------------------|-----------|-----------------|-----|--|---|
| | | | | '08 | '09 | | |
| 56052 | 56052-0455 | MARK,FR FENDER,KAWASAKI | | | | | |
| | L----- | | AS | | | | 2 |
| 56054 | 56054-0229 | MARK,FUEL INJECTED V-TWIN | | | | | |
| | L----- | | AS | | | | 1 |
| 56068 | 56068-1138 | PATTERN,SIDE COVER,LH | | | | | |
| | L----- | | AS | | | | 1 |
| 56068A | 56068-1139 | PATTERN,SIDE COVER,RH | | | | | |
| | L----- | | AS | | | | 1 |
| 56068B | 56068-1148 | PATTERN,FR FENDER,LH | | | | | |
| | L----- | | AS | | | | 1 |
| 56068C | 56068-1149 | PATTERN,FR FENDER,RH | | | | | |
| | L----- | | AS | | | | 1 |
| 56068D | 56068-1150 | PATTERN,RR FENDER,LH | | | | | |
| | L----- | | AS | | | | 1 |
| 56068E | 56068-1151 | PATTERN,RR FENDER,RH | | | | | |
| | L----- | | AS | | | | 1 |

This catalog covers:

'08~'09 KVF750 D8F/D9F Chassis

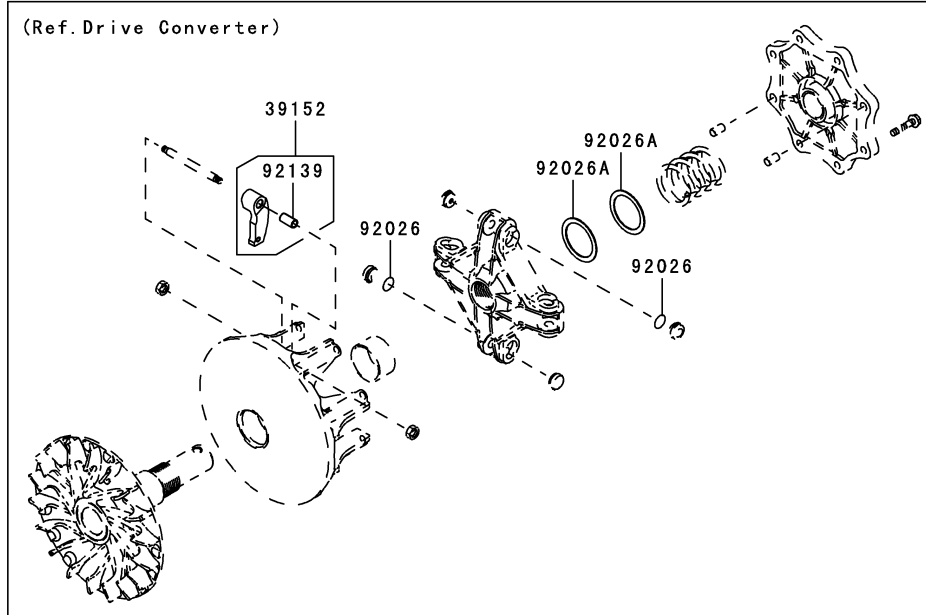
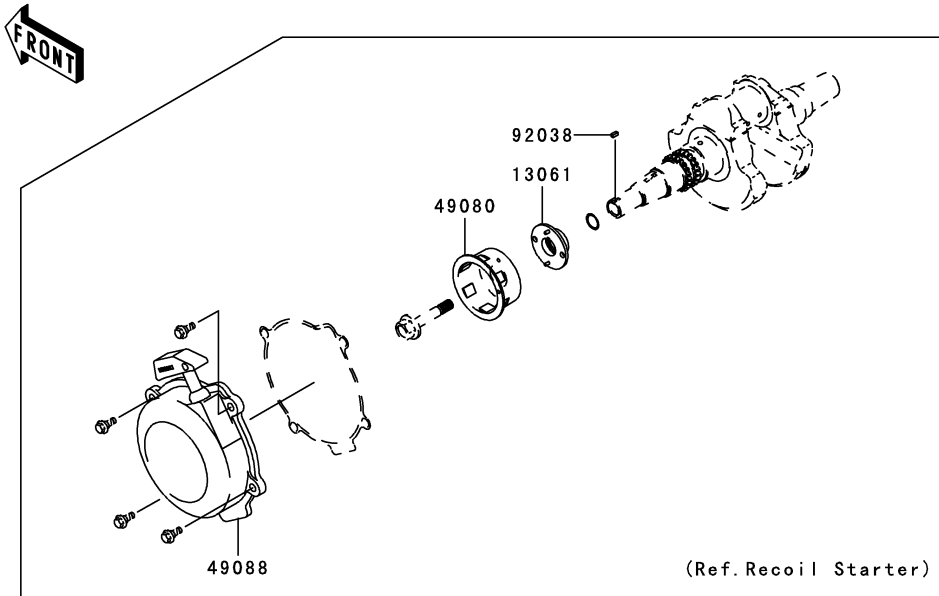
GRID NO.

H-8

This grid covers:

Optional Parts

F2890



| Ref. No. | Part No. | Description | Spec Code | Quantity-KVF750 | | | |
|----------|------------------------|--------------------|-----------|-----------------|-----|--|--|
| | | | | '08 | '09 | | |
| | | | | D8F | D9F | | |
| 13061 | 13061-1873 | BOSS | 1 | 1 | | | |
| 39152 | 39152-0028 (OPTION) | WEIGHT-RAMP | 4 | 4 | | | |
| 49080 | 49080-1061 | PULLEY-STARTING | 1 | 1 | | | |
| 49088 | 49088-1058 | STARTER-RECOIL | 1 | 1 | | | |
| 92026 | 92026-0038 | SPACER,T=0.1 | 2 | 2 | | | |
| 92026A | 92026-1603 (OPTION) | SPACER,39X49.5X1.0 | 2 | 2 | | | |
| 92038 | 92038-1051 | KEY,SUNK | 1 | 1 | | | |
| 92139 | 92139-0215 | BUSHING | 4 | 4 | | | |

This catalog covers:

'08~'09 KVF750 D8F/D9F Chassis

GRID NO.

H-9

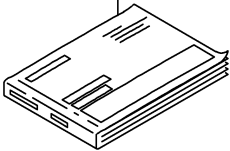
This grid covers:

Manual(EU,UK)

F2920

Owner's Manual
(Local Procurement)

99923/A
99947/A
99972/A
99977/A
99984/A
99992/A



| Ref. No. | Language |
|-----------|----------|
| (99923/A) | German |
| (99947/A) | French |
| (99972/A) | Spanish |
| (99977/A) | English |
| (99984/A) | Dutch |
| (99992/A) | Italian |

| Ref. No. | Part No. | Description | Spec Code | Quantity-KVF750 | | | |
|----------|------------|------------------------|-----------|-----------------|-----|--|--|
| | | | | '08 | '09 | | |
| | | | | D8F | D9F | | |
| 99923 | 99923-1619 | OWNER'S MANUAL,GERMAN | | | | | |
| | L----- | | EU,UK | 1 | | | |
| 99923A | 99923-1625 | OWNER'S MANUAL,GERMAN | | | | | |
| | L----- | | EU,UK | | 1 | | |
| 99947 | 99947-1380 | OWNER'S MANUAL,FRENCH | | | | | |
| | L----- | | EU,UK | 1 | | | |
| 99947A | 99947-1386 | OWNER'S MANUAL,FRENCH | | | | | |
| | L----- | | EU,UK | | 1 | | |
| 99972 | 99972-1109 | OWNER'S MANUAL,SPANISH | | | | | |
| | L----- | | EU,UK | 1 | | | |
| 99972A | 99972-1129 | OWNER'S MANUAL,SPANISH | | | | | |
| | L----- | | EU,UK | | 1 | | |
| 99977 | 99977-1280 | OWNER'S MANUAL,ENGLISH | | | | | |
| | L----- | | EU,UK | | 1 | | |
| 99977A | 99977-1332 | OWNER'S MANUAL,ENGLISH | | | | | |
| | L----- | | EU,UK | | 1 | | |
| 99984 | 99984-1084 | OWNER'S MANUAL,DUTCH | | | | | |
| | L----- | | EU,UK | | 1 | | |
| 99984A | 99984-1094 | OWNER'S MANUAL,DUTCH | | | | | |
| | L----- | | EU,UK | | 1 | | |
| 99992 | 99992-1048 | OWNER'S MANUAL,ITALIAN | | | | | |
| | L----- | | EU,UK | | 1 | | |
| 99992A | 99992-1057 | OWNER'S MANUAL,ITALIAN | | | | | |
| | L----- | | EU,UK | | 1 | | |

This catalog covers:

'08~'09 KVF750 D8F/D9F

GRID NO.

L-12

This grid covers:

Numerical Parts Index

| Part No. | Grid No. | Part No. | Grid No. | Part No. | Grid No. | Part No. | Grid No. | Part No. | Grid No. | Part No. | Grid No. |
|---------------|----------|---------------|----------|------------|----------|------------|----------|----------------|----------|----------------|----------|
| 11004-0011 | B-3 | 11065-0194-6Z | E-10 | 130BB0812 | E-6 | 13262-0434 | B-10 | 132BD0630 | C-13 | 14091-0179 | E-10 |
| 11005-0022 | B-4 | 11065-1151 | C-4 | 130BB0812 | E-8 | 13262-0491 | B-10 | 132BD0630 | C-4 | 14091-0252-6Z | E-12 |
| 11005-0023 | B-4 | 11065-1152 | B-3 | 130BB0814 | G-6 | 13262-0494 | D-3 | 132BD0630 | C-8 | 14091-0270-286 | E-10 |
| 11008-0087 | B-3 | 11065-1153 | F-4 | 130BB0820 | F-6 | 13271-0539 | D-8 | 132BD0630 | D-7 | 14091-0270-6Z | E-10 |
| 11008-0088 | B-3 | 11065-1153 | F-5 | 130BB0825 | E-6 | 13271-0976 | E-14 | 132BD0640 | B-4 | 14091-0309 | C-4 |
| 11009-1145 | C-12 | 112AA0622 | F-6 | 130BB1016 | G-6 | 13271-0980 | C-6 | 132BD0640 | C-3 | 14091-0337 | E-10 |
| 11009-1373 | E-5 | 115CB0855 | E-3 | 130BD0616 | B-6 | 13271-1259 | F-10 | 132BD0655 | C-4 | 14091-0338 | E-5 |
| 11009-1430 | B-7 | 12004-0007 | B-7 | 130CA0630 | B-12 | 13271-1369 | C-9 | 132BD0665 | C-3 | 14091-0491 | E-13 |
| 11009-1865 | B-6 | 12005-0047 | B-7 | 130CA0860 | F-11 | 13271-1497 | D-5 | 132BD0665 | C-4 | 14091-0492 | E-13 |
| 11009-1894 | B-6 | 12009-1056 | B-7 | 130CB1016 | E-9 | 13271-1503 | D-5 | 132BD0695 | B-3 | 14091-0540 | E-5 |
| 11010-0152-6Z | B-5 | 12011-1051 | B-7 | 130CB1016 | F-14 | 13271-1635 | F-10 | 132BD08110 | C-3 | 14091-0608 | F-12 |
| 11011-0017-6Z | B-5 | 12016-1128 | B-7 | 130CD0620 | B-11 | 13271-1636 | F-10 | 132BD0875 | C-3 | 14091-0736-6Z | G-7 |
| 11012-1084 | C-12 | 12016-1129 | B-7 | 130CD0620 | B-14 | 13271-7506 | E-3 | 132E0620 | C-13 | 14091-0737 | C-5 |
| 11012-1354 | C-11 | 12020-0004 | B-7 | 130CD0825 | B-6 | 13280-0082 | C-12 | 13310-0013 | D-8 | 14091-0738 | C-14 |
| 11012-1367 | E-5 | 12046-0021 | B-8 | 130CD0825 | D-10 | 13280-0232 | B-5 | 13310-0014 | D-8 | 14091-0961-286 | G-6 |
| 11013-0021 | B-5 | 12046-1203 | B-8 | 130CD0860 | D-9 | 13280-0233 | B-5 | 13320-1018 | F-10 | 14091-0961-290 | G-6 |
| 11050-1932 | G-3 | 12048-1176 | B-8 | 13107-0029 | B-8 | 13280-1226 | F-10 | 14001-0015 | C-3 | 14091-0961-6Z | G-6 |
| 11051-1929 | E-4 | 12048-1177 | B-8 | 13107-0114 | D-3 | 13280-1227 | F-10 | 14001-0109 | C-3 | 14091-1197 | D-5 |
| 11052-1476 | D-10 | 12053-1440 | C-8 | 13107-0123 | D-5 | 132BA0625 | B-3 | 14014-0006 | C-3 | 14091-1365 | C-4 |
| 11053-0642 | F-6 | 12053-1441 | B-8 | 13107-0158 | B-10 | 132BA0625 | C-12 | 14014-1148 | B-8 | 14091-1403 | F-10 |
| 11053-0912 | G-9 | 12053-1442 | B-8 | 13107-0177 | B-10 | 132BA0625 | G-7 | 14024-1551 | G-10 | 14091-1421 | B-14 |
| 11053-0936 | F-12 | 12053-1443 | B-8 | 13107-1443 | B-8 | 132BA0640 | F-6 | 14031-0030 | C-4 | 16007-1178 | B-7 |
| 11053-0937 | E-5 | 12053-1444 | B-8 | 13107-1444 | B-8 | 132BA0822 | C-10 | 14037-0045 | C-12 | 16007-1203 | B-13 |
| 11053-0958 | E-5 | 120CA0610 | B-8 | 13107-1505 | D-4 | 132BB0512 | F-8 | 14041-0004 | B-14 | 16007-1205 | D-4 |
| 11053-0969 | E-5 | 120CA0612 | D-3 | 13127-0053 | B-10 | 132BB0612 | E-7 | 14041-1136 | B-11 | 16007-1221 | B-13 |
| 11053-1592 | E-4 | 120CA0816 | C-11 | 13139-0003 | B-10 | 132BB0612 | E-8 | 14041-1159 | B-12 | 16065-0046 | B-3 |
| 11053-1638 | E-5 | 120CB0614 | B-8 | 13139-1097 | D-5 | 132BB0612 | E-9 | 14041-1160 | B-12 | 16073-0030 | G-5 |
| 11053-1833 | E-8 | 120CB0630 | C-9 | 13151-0003 | G-10 | 132BB0630 | F-8 | 14041-1161 | B-12 | 16073-0031 | E-12 |
| 11053-1979 | E-13 | 13001-0021 | B-4 | 13151-1080 | B-11 | 132BB0635 | E-6 | 14055-0014 | D-5 | 16073-0032 | E-12 |
| 11053-1980 | E-13 | 13002-1060 | B-4 | 13168-0042 | D-8 | 132BB0650 | C-8 | 14055-1155 | D-5 | 16073-0033 | F-12 |
| 11054-1229 | E-9 | 13008-0008 | B-4 | 13168-1715 | F-10 | 132BB0650 | D-10 | 14055-1156 | D-5 | 16073-0034 | F-12 |
| 11054-1232 | E-9 | 13031-0079 | B-9 | 13168-1724 | D-5 | 132BB0690 | C-12 | 14057-0002 | D-8 | 16073-0035 | E-5 |
| 11054-1236 | E-5 | 13042-1141 | B-8 | 13168-1725 | D-5 | 132BB0814 | E-4 | 14057-1004 | D-5 | 16073-0036 | E-5 |
| 11054-1318 | E-5 | 13061-1873 | H-8 | 13168-1736 | F-10 | 132BD0610 | C-10 | 14067-006 | C-3 | 16073-0037 | E-13 |
| 11054-1328 | C-10 | 13070-1352 | B-11 | 13194-1094 | C-11 | 132BD0612 | B-3 | 14069-1051 | C-4 | 16073-0038 | E-13 |
| 11054-1468 | B-3 | 13070-1396 | D-10 | 13216-0017 | D-8 | 132BD0612 | B-4 | 14073-0025 | B-14 | 16085-1238 | C-11 |
| 11060-1174 | G-8 | 13096-1163 | D-5 | 13234-1112 | C-8 | 132BD0612 | C-13 | 14073-0026 | B-14 | 16087-0002 | F-12 |
| 11060-1287 | B-11 | 130BA0516 | C-9 | 13236-0034 | D-10 | 132BD0612 | C-4 | 14073-0027 | B-14 | 16097-0003 | C-8 |
| 11060-1956 | B-11 | 130BA0616 | F-12 | 13236-0046 | B-14 | 132BD0612 | C-8 | 14073-0028 | B-14 | 16115-1072 | C-4 |
| 11060-1964 | C-12 | 130BA0630 | F-12 | 13236-0047 | B-14 | 132BD0612 | C-9 | 14073-0160 | B-5 | 16126-4001 | E-14 |
| 11060-1966 | B-8 | 130BA0635 | D-7 | 13236-0048 | B-14 | 132BD06130 | B-3 | 14091-0136-6Z | E-10 | 16126-4001 | F-3 |
| 11060-1982 | D-5 | 130BB0518 | C-10 | 13236-0051 | B-11 | 132BD0618 | C-5 | 14091-0137-286 | G-5 | 16130-1058 | C-8 |
| 11060-1994 | B-3 | 130BB0610 | G-9 | 13236-1343 | B-11 | 132BD0620 | B-3 | 14091-0137-290 | G-5 | 16142-0002 | C-12 |
| 11061-0059 | D-8 | 130BB0614 | G-6 | 13251-1143 | B-9 | 132BD0620 | C-10 | 14091-0137-839 | G-5 | 16142-1162 | C-8 |
| 11061-0063 | B-4 | 130BB0616 | E-12 | 13260-1867 | B-10 | 132BD0620 | C-4 | 14091-0138-286 | G-5 | 16146-0011 | G-3 |
| 11061-0072 | E-5 | 130BB0616 | E-6 | 13262-0234 | B-10 | 132BD0630 | B-11 | 14091-0138-290 | G-5 | 16154-2059 | C-8 |
| 11061-1119 | C-4 | 130BB0616 | E-9 | 13262-0235 | B-10 | 132BD0630 | B-3 | 14091-0138-839 | G-5 | 16154-2060 | C-8 |
| 11061-1153 | C-14 | 130BB0616 | G-9 | 13262-0313 | B-10 | 132BD0630 | B-4 | 14091-0142 | D-8 | 16160-0046 | C-12 |
| 11065-0086 | E-8 | 130BB0620 | C-9 | 13262-0314 | B-10 | 132BD0630 | B-8 | 14091-0143 | D-8 | 16160-0127 | C-12 |
| 11065-0088 | E-5 | 130BB0625 | E-12 | 13262-0433 | B-10 | 132BD0630 | C-11 | 14091-0164 | B-5 | 16163-0125 | C-5 |

This catalog covers:

'08~'09 KVF750 D8F/D9F

GRID NO.

L-13

This grid covers:

Numerical Parts Index

| Part No. | Grid No. | Part No. | Grid No. | Part No. | Grid No. | Part No. | Grid No. | Part No. | Grid No. | Part No. | Grid No. |
|------------|----------|---------------|----------|----------------|----------|------------|----------|----------------|----------|------------|----------|
| 16172-0006 | B-14 | 25008-0003 | G-3 | 34028-0055-6Z | E-9 | 39183-1065 | E-5 | 43049-1088 | F-10 | 49006-1242 | F-9 |
| 16172-0007 | D-5 | 25009-004 | G-3 | 34028-0087-21 | E-9 | 39186-0030 | E-8 | 43056-1055 | F-9 | 49006-1292 | B-5 |
| 18018-0009 | E-5 | 25031-0163 | G-3 | 35004-0047-286 | E-10 | 39186-0033 | E-7 | 43057-1001 | F-9 | 49006-1338 | F-8 |
| 18018-0010 | C-5 | 25031-0164 | G-3 | 35004-0047-290 | E-10 | 39186-0034 | E-7 | 43078-0024 | C-12 | 49006-1362 | D-4 |
| 18020-0008 | F-12 | 25031-0226 | G-3 | 35004-0047-839 | E-10 | 39192-0033 | B-3 | 43080-0019-DJ | F-9 | 49016-1044 | F-8 |
| 18087-0167 | B-6 | 25031-0227 | G-3 | 35004-0106-286 | E-10 | 39192-0034 | B-3 | 43080-0020-DJ | F-9 | 49022-0009 | D-8 |
| 18088-0379 | B-6 | 26004-0016 | G-9 | 35004-0106-290 | E-10 | 39193-0015 | C-8 | 43082-0022 | F-9 | 49022-0010 | D-3 |
| 180BD0612 | B-6 | 26006-0004 | G-9 | 35004-0106-839 | E-10 | 39193-1052 | C-8 | 43082-0023 | F-9 | 49022-0011 | D-3 |
| 21003-0071 | C-9 | 26006-0005 | G-9 | 35023-0050-286 | E-12 | 39193-1053 | C-8 | 43095-0078 | F-8 | 49022-1177 | D-5 |
| 21007-0111 | C-9 | 26011-0037 | G-9 | 35023-0050-290 | E-12 | 39193-1054 | C-8 | 45014-0203-17D | F-7 | 49022-1178 | D-5 |
| 21007-1416 | D-3 | 26011-0111 | C-11 | 35023-0050-839 | E-12 | 41009-0039 | E-14 | 45014-0203-CD | F-7 | 49022-1190 | D-5 |
| 21008-0001 | C-12 | 26011-0137 | G-9 | 35063-0164 | F-14 | 41009-0039 | F-3 | 45014-0203-EH | F-7 | 49022-1201 | D-5 |
| 21017-017 | C-11 | 26011-0138 | G-9 | 35063-0394 | E-9 | 41009-0112 | E-14 | 45014-0203-VM | F-7 | 49030-0032 | F-4 |
| 21039-0004 | C-11 | 26011-0141 | G-9 | 35063-0395 | E-9 | 41009-0112 | F-3 | 45014-0204-17D | F-7 | 49030-0034 | F-5 |
| 21040-0003 | C-11 | 26011-0150 | G-9 | 35063-0501-388 | F-14 | 41025-0087 | E-14 | 45014-0204-CD | F-7 | 49033-1060 | C-5 |
| 21064-002 | C-11 | 26011-1755 | C-8 | 39007-0021 | E-8 | 41025-0087 | F-3 | 45014-0204-EH | F-7 | 49040-0033 | C-6 |
| 21066-0030 | C-9 | 26012-1414 | G-9 | 39007-0022 | E-8 | 41025-0088 | E-14 | 45014-0204-VM | F-7 | 49047-1104 | B-11 |
| 21121-0039 | C-10 | 26031-0629 | G-9 | 39007-0038 | E-8 | 41025-0116 | F-3 | 46003-1580 | F-10 | 49048-1087 | B-12 |
| 21130-1071 | C-10 | 26031-0654 | G-9 | 39007-0039 | E-8 | 41046-1101 | D-3 | 46012-1168 | F-10 | 49048-1088 | B-12 |
| 21163-0037 | C-11 | 27002-1062 | C-7 | 39007-0064 | E-7 | 41046-1102 | D-3 | 46066-0001 | G-9 | 49048-1089 | B-12 |
| 21175-0086 | C-10 | 27002-1062 | G-9 | 39007-0065 | E-7 | 41053-0006 | F-6 | 46075-0046 | D-10 | 49048-1090 | B-12 |
| 21175-0137 | C-7 | 27003-1276 | G-9 | 39007-0066 | E-7 | 41072-007 | F-6 | 46075-7501 | F-10 | 49048-1091 | B-12 |
| 21175-0216 | C-10 | 27005-0019 | G-10 | 39007-0067 | E-7 | 41080-1482 | D-8 | 46076-1238 | F-10 | 49048-1092 | B-12 |
| 21176-0009 | C-7 | 27008-1041 | G-10 | 39012-0005 | E-5 | 41080-1483 | D-8 | 46091-0111 | F-10 | 49048-1093 | B-12 |
| 21176-0048 | C-7 | 27008-1042 | G-10 | 39012-0015-6Z | E-11 | 41080-1484 | D-8 | 46092-1208 | F-8 | 49048-1094 | B-12 |
| 21176-0058 | C-5 | 27008-1043 | G-10 | 39012-5013 | E-5 | 41080-1499 | D-5 | 46102-0055 | E-8 | 49048-1095 | B-12 |
| 21176-0066 | C-7 | 27008-1044 | G-10 | 39031-0011 | G-6 | 41080-1500 | D-5 | 46102-0056 | E-8 | 49050-0010 | B-12 |
| 21176-1104 | C-10 | 27008-1132 | G-10 | 39060-0040 | C-12 | 41080-1501 | D-5 | 480J1000 | B-14 | 49054-1055 | C-12 |
| 21176-1109 | C-10 | 27008-1133 | G-10 | 39062-0178 | C-12 | 41080-1512 | D-5 | 480J1400 | B-8 | 49056-0021 | C-5 |
| 220AA0308 | F-11 | 27008-1134 | G-10 | 39062-0180 | C-12 | 41080-1513 | F-9 | 480J2800 | D-3 | 49063-1055 | C-12 |
| 220AA0408 | C-5 | 27008-1135 | G-10 | 39062-0226 | C-12 | 410AA0800 | B-8 | 481J2400 | E-7 | 49065-1086 | C-8 |
| 220AA0408 | D-9 | 27010-0025 | F-8 | 39062-0227 | C-12 | 42034-0006 | D-8 | 481J2400 | E-8 | 49074-1055 | B-13 |
| 220AA0612 | C-5 | 27010-1098 | C-11 | 39062-0241 | C-12 | 42034-1192 | D-5 | 481J2500 | D-4 | 49078-0014 | B-7 |
| 220AB0525 | F-11 | 27010-1294 | F-10 | 39074-0002 | F-10 | 42034-1193 | D-4 | 481J2500 | D-7 | 49080-1061 | H-8 |
| 220AB0535 | F-11 | 27010-1313 | C-8 | 39075-1062 | F-10 | 42036-0016 | E-7 | 481J3700 | C-3 | 49085-1066 | C-12 |
| 220AB0625 | F-11 | 27010-1494 | F-6 | 39076-0005 | C-11 | 42036-0018 | F-7 | 481J5200 | E-8 | 49088-1058 | H-8 |
| 221AA0616 | C-3 | 27045-0003 | G-9 | 39111-0023 | E-3 | 42036-1190 | E-8 | 482EA8000 | G-4 | 49091-0001 | F-8 |
| 224AA0445 | G-7 | 27045-0010 | F-10 | 39111-1174 | D-10 | 42036-1376 | E-7 | 482J5000 | B-8 | 49093-0022 | B-12 |
| 224AB0610 | C-13 | 28012-1087 | G-11 | 39112-0009 | E-3 | 42036-1376 | E-8 | 482J6000 | C-8 | 49094-0019 | B-13 |
| 23005-0006 | G-7 | 311AB0500 | G-3 | 39112-0010 | E-3 | 43001-0092 | F-6 | 49002-1097 | B-3 | 49106-0048 | B-6 |
| 23005-0007 | G-7 | 312AB0600 | F-11 | 39112-1079 | D-10 | 43015-0036 | F-8 | 49006-0007 | D-8 | 49107-0050 | B-6 |
| 23007-0024 | G-7 | 315AA1000 | D-10 | 39112-1080 | B-11 | 43020-1054 | F-8 | 49006-0008 | D-8 | 49107-0065 | B-6 |
| 23007-0025 | G-7 | 318BA0800 | B-6 | 39112-1084 | D-10 | 43020-1101 | F-9 | 49006-0021 | D-8 | 49107-0066 | B-6 |
| 23016-1182 | E-5 | 318BA0800 | D-10 | 39114-0006 | E-3 | 43022-1010 | F-8 | 49006-0062 | D-5 | 49107-0067 | B-6 |
| 23017-0001 | G-7 | 32033-1535 | C-8 | 39145-1121 | D-10 | 43026-1074 | F-8 | 49006-0063 | D-5 | 49116-0021 | C-5 |
| 23020-018 | G-7 | 32097-0009 | E-5 | 39145-1135 | B-14 | 43028-1061 | F-8 | 49006-0064 | D-8 | 49118-0001 | B-8 |
| 23025-0011 | G-8 | 32160-0227 | E-3 | 39152-0019 | B-12 | 43034-1016 | F-8 | 49006-0065 | D-8 | 49118-0002 | B-8 |
| 23026-1183 | G-8 | 32190-0059 | E-4 | 39152-0028 | H-8 | 43045-1010 | F-9 | 49006-0068 | D-5 | 51001-0237 | F-12 |
| 23026-1227 | E-5 | 32190-0060 | E-4 | 39183-0002 | G-9 | 43049-1063 | F-9 | 49006-1040 | F-8 | 51044-0041 | C-6 |
| 23058-002 | E-5 | 34028-0054-6Z | E-9 | 39183-0003 | E-5 | 43049-1064 | F-9 | 49006-1088 | F-9 | 51049-1128 | F-12 |

This catalog covers:

'08~'09 KVF750 D8F/D9F

GRID NO.

This grid covers:

L-14

Numerical Parts Index

| Part No. | Grid No. | Part No. | Grid No. | Part No. | Grid No. | Part No. | Grid No. | Part No. | Grid No. | Part No. | Grid No. |
|----------------|----------|------------|----------|----------------|----------|------------|----------|------------|----------|------------|----------|
| 510A4200 | C-9 | 56054-0095 | G-14 | 56070-1286 | G-13 | 92001-1728 | F-8 | 92015-1415 | E-8 | 92026-1599 | B-10 |
| 52005-1082 | G-12 | 56054-0096 | G-14 | 56071-0036 | G-13 | 92001-1980 | B-9 | 92015-1432 | B-11 | 92026-1600 | B-10 |
| 53004-0002 | E-5 | 56054-0096 | H-3 | 56071-0073 | G-13 | 92002-1323 | F-8 | 92015-1432 | D-10 | 92026-1603 | B-12 |
| 53029-0054-16l | F-14 | 56054-0229 | H-5 | 56071-0079 | G-13 | 92002-1571 | E-5 | 92015-1476 | C-11 | 92026-1603 | H-8 |
| 53029-0054-388 | F-14 | 56054-0229 | H-6 | 56071-0090 | G-13 | 92002-1571 | G-9 | 92015-1487 | C-12 | 92026-1617 | B-13 |
| 53029-0055-388 | F-14 | 56054-0229 | H-7 | 56071-0092 | G-13 | 92002-1894 | F-8 | 92015-1573 | G-3 | 92027-1472 | E-4 |
| 53029-0057-16l | F-14 | 56068-0357 | G-14 | 59006-0015 | B-5 | 92004-1217 | B-3 | 92015-1596 | F-10 | 92027-162 | G-7 |
| 53029-0057-388 | F-14 | 56068-0358 | G-14 | 59011-0003 | B-13 | 92005-1264 | B-3 | 92015-1602 | E-11 | 92027-162 | G-8 |
| 53044-0037 | E-11 | 56068-0411 | G-14 | 59026-0005 | C-9 | 92005-1369 | C-4 | 92015-1602 | E-11 | 92027-1847 | F-12 |
| 53064-0002 | E-11 | 56068-0412 | G-14 | 59041-0002 | C-12 | 92005-1387 | B-14 | 92015-1602 | E-12 | 92027-1964 | G-6 |
| 53066-0196-MA | F-13 | 56068-0497 | H-4 | 59071-3717 | F-12 | 92009-1069 | E-5 | 92015-1602 | E-6 | 92028-1466 | E-8 |
| 54005-0017 | G-4 | 56068-0498 | H-4 | 59256-1069 | C-12 | 92009-1113 | B-5 | 92015-1602 | E-9 | 92028-1961 | B-9 |
| 54005-0018 | G-4 | 56068-0499 | H-4 | 59266-0013 | E-7 | 92009-1163 | G-3 | 92015-1602 | G-5 | 92028-1962 | B-9 |
| 54010-0064 | G-4 | 56068-0500 | H-4 | 59266-0013 | E-8 | 92009-1166 | E-5 | 92015-1603 | E-9 | 92028-1963 | B-9 |
| 54012-0207 | G-4 | 56068-0501 | H-3 | 59266-0021 | D-5 | 92009-1197 | G-3 | 92015-1603 | G-5 | 92028-1975 | B-12 |
| 55020-0065 | G-6 | 56068-0502 | H-3 | 59266-0022 | D-5 | 92009-1254 | G-3 | 92015-1692 | G-7 | 92028-1986 | F-10 |
| 55020-0105 | G-6 | 56068-0503 | G-14 | 59266-0023 | D-8 | 92009-1326 | G-3 | 92015-1710 | E-11 | 92033-1037 | B-10 |
| 55020-0109-6Z | E-7 | 56068-0504 | G-14 | 59266-1125 | E-3 | 92009-1378 | G-8 | 92015-1757 | E-11 | 92033-1039 | B-8 |
| 55020-0110-6Z | E-7 | 56068-1138 | H-7 | 59301-0007 | B-12 | 92009-1435 | F-10 | 92015-1757 | F-10 | 92033-1207 | B-4 |
| 55020-0166-6Z | E-8 | 56068-1139 | H-7 | 59302-0001 | B-13 | 92009-1458 | F-8 | 92015-1829 | F-10 | 92033-1274 | E-7 |
| 55020-0167-6Z | E-8 | 56068-1144 | H-6 | 59302-0002 | B-13 | 92009-1480 | C-5 | 92016-061 | B-7 | 92033-1317 | B-13 |
| 55020-0247 | C-10 | 56068-1145 | H-6 | 59302-0003 | B-12 | 92009-1480 | E-8 | 92019-008 | B-12 | 92037-1104 | D-5 |
| 55020-0392 | G-6 | 56068-1146 | H-6 | 59416-0004 | E-5 | 92009-1621 | E-11 | 92019-008 | G-8 | 92037-1104 | D-8 |
| 55020-0426-6Z | G-6 | 56068-1147 | H-6 | 59437-0001 | E-8 | 92009-1621 | E-11 | 92022-024 | E-7 | 92037-1460 | B-5 |
| 550AA2015 | E-3 | 56068-1148 | H-7 | 59441-0005-286 | F-10 | 92009-1621 | E-5 | 92022-024 | E-8 | 92037-1461 | F-12 |
| 550AA2015 | F-6 | 56068-1149 | H-7 | 59441-0005-290 | F-10 | 92009-1621 | G-5 | 92022-1049 | F-6 | 92037-147 | B-5 |
| 550AA2022 | F-6 | 56068-1150 | H-7 | 59441-0005-839 | F-10 | 92009-1652 | G-3 | 92022-1065 | E-7 | 92037-147 | C-4 |
| 550AA3025 | E-3 | 56068-1151 | H-7 | 59441-0006-6Z | F-10 | 92009-1654 | F-10 | 92022-125 | G-7 | 92037-1505 | B-5 |
| 550AA3025 | E-7 | 56068-1154 | H-5 | 59502-0011 | C-12 | 92009-1655 | E-11 | 92022-1342 | E-6 | 92037-1589 | C-12 |
| 550AA4025 | F-4 | 56068-1155 | H-5 | 600A1000 | B-11 | 92009-1655 | G-5 | 92022-1346 | G-5 | 92037-1712 | C-12 |
| 550AA4025 | F-5 | 56068-1156 | H-5 | 600A1100 | D-7 | 92009-1664 | G-7 | 92022-1373 | F-9 | 92037-1780 | B-14 |
| 551A0408 | C-13 | 56068-1157 | H-5 | 601A6000 | C-3 | 92009-1694 | B-14 | 92022-1380 | C-5 | 92037-1827 | C-12 |
| 551A0408 | C-8 | 56068-1162 | H-6 | 601A6007 | D-9 | 92009-1694 | C-12 | 92022-1557 | G-8 | 92037-1827 | C-5 |
| 555A0428 | D-9 | 56068-1163 | H-6 | 601A6304 | C-3 | 92009-1914 | D-3 | 92022-1582 | F-6 | 92037-1827 | C-9 |
| 56007-0014 | G-12 | 56068-1164 | H-5 | 601A6305 | D-7 | 92009-1914 | D-5 | 92022-1720 | B-3 | 92037-1827 | G-9 |
| 56008-1007 | G-12 | 56068-1165 | H-5 | 670B2015 | F-6 | 92009-1959 | F-10 | 92022-1829 | B-14 | 92037-2113 | C-5 |
| 56019-120 | G-12 | 56070-0037 | G-13 | 670B2016 | B-3 | 92009-1961 | F-10 | 92022-1829 | E-7 | 92038-1051 | H-8 |
| 56030-0018 | G-13 | 56070-0038 | G-13 | 670D1505 | C-8 | 92009-1984 | C-7 | 92022-237 | B-6 | 92039-1229 | E-12 |
| 56033-0064 | G-13 | 56070-0039 | G-13 | 670D1507 | C-8 | 92009-1993 | B-14 | 92022-276 | B-6 | 92039-1229 | F-12 |
| 56033-0078 | C-3 | 56070-0041 | F-14 | 670D2016 | C-8 | 92013-009 | B-7 | 92022-304 | B-4 | 92039-1229 | G-6 |
| 56040-1321 | F-14 | 56070-0045 | G-13 | 670D2018 | C-4 | 92015-1094 | E-5 | 92022-304 | C-12 | 92039-1229 | G-7 |
| 56052-0455 | H-4 | 56070-0046 | G-13 | 670D3022 | B-14 | 92015-1094 | G-7 | 92022-3742 | E-3 | 92039-1260 | E-13 |
| 56052-0455 | H-7 | 56070-1103 | F-14 | 670D3022 | D-7 | 92015-1193 | C-11 | 92026-0034 | B-13 | 92039-3719 | E-6 |
| 56052-0947 | G-14 | 56070-1108 | G-13 | 670E5090 | C-6 | 92015-1233 | F-8 | 92026-0038 | H-8 | 92039-3763 | E-13 |
| 56052-0947 | H-3 | 56070-1110 | G-13 | 671D25145 | D-7 | 92015-1259 | E-11 | 92026-1415 | B-10 | 92039-3763 | G-13 |
| 56052-0947 | H-5 | 56070-1170 | G-13 | 671D2530 | B-13 | 92015-1311 | B-9 | 92026-1565 | B-13 | 92043-0083 | D-5 |
| 56052-0947 | H-6 | 56070-1253 | F-14 | 671D2550 | B-13 | 92015-1339 | D-5 | 92026-1568 | B-10 | 92043-076 | C-8 |
| 56054-0092 | H-4 | 56070-1266 | G-13 | 671D2585 | D-3 | 92015-1356 | E-5 | 92026-1569 | B-13 | 92043-1013 | F-6 |
| 56054-0093 | H-3 | 56070-1269 | G-13 | 700Q0740 | C-5 | 92015-1410 | F-6 | 92026-1570 | B-13 | 92043-1263 | B-12 |
| 56054-0094 | H-4 | 56070-1271 | G-13 | 702A07035 | C-4 | 92015-1415 | E-7 | 92026-1587 | B-10 | 92043-1263 | B-3 |

This catalog covers:

'08~'09 KVF750 D8F/D9F

GRID NO.

This grid covers:

L-15 Numerical Parts Index

| Part No. | Grid No. | Part No. | Grid No. | Part No. | Grid No. | Part No. | Grid No. | Part No. | Grid No. | Part No. | Grid No. |
|------------|----------|------------|----------|------------|----------|------------|----------|------------|----------|------------|----------|
| 92043-1263 | C-4 | 92049-1534 | D-6 | 92066-1211 | B-5 | 92093-1580 | E-13 | 92145-1567 | B-14 | 92153-0678 | B-14 |
| 92043-1263 | D-5 | 92049-1536 | D-6 | 92066-1211 | C-5 | 92104-0004 | G-12 | 92150-1144 | F-9 | 92153-0748 | F-14 |
| 92043-1506 | C-3 | 92049-1537 | D-8 | 92066-1289 | B-3 | 92104-1063 | G-12 | 92150-1186 | C-12 | 92153-0847 | E-6 |
| 92043-1567 | D-8 | 92049-1550 | D-6 | 92066-1303 | D-6 | 92107-005 | G-12 | 92150-1302 | B-3 | 92153-0870 | D-6 |
| 92043-1575 | D-5 | 92049-1570 | C-3 | 92066-1303 | D-8 | 92107-1053 | G-12 | 92150-1384 | E-7 | 92153-0870 | D-9 |
| 92043-1617 | D-8 | 92049-1572 | D-6 | 92066-1580 | B-14 | 92110-1116 | G-12 | 92150-1624 | E-8 | 92153-0871 | E-4 |
| 92043-1688 | B-12 | 92049-1573 | D-6 | 92066-2196 | B-7 | 92110-1129 | G-12 | 92150-1686 | E-7 | 92153-0872 | E-4 |
| 92043-4009 | B-3 | 92049-1575 | C-3 | 92069-0005 | G-7 | 92110-1140 | G-12 | 92150-1800 | F-9 | 92153-0930 | E-4 |
| 92043-4009 | B-4 | 92049-1576 | C-4 | 92069-0006 | G-7 | 92110-1152 | G-12 | 92150-1884 | D-6 | 92153-0931 | F-14 |
| 92045-0012 | C-3 | 92049-1578 | F-10 | 92069-063 | G-8 | 92110-1153 | G-12 | 92150-1987 | C-14 | 92153-0991 | E-4 |
| 92045-0076 | C-3 | 92049-7501 | E-3 | 92069-085 | E-6 | 92122-1209 | B-13 | 92151-1392 | F-4 | 92153-1052 | B-5 |
| 92045-0077 | D-8 | 92055-0016 | C-7 | 92070-1209 | C-10 | 92139-0084 | F-7 | 92151-1392 | F-5 | 92153-1065 | E-3 |
| 92045-0078 | D-8 | 92055-0112 | B-3 | 92071-1128 | G-9 | 92139-0215 | B-12 | 92151-1393 | B-12 | 92153-1129 | F-11 |
| 92045-0084 | C-4 | 92055-0122 | D-6 | 92072-0033 | E-6 | 92139-0215 | H-8 | 92151-1686 | B-14 | 92153-1139 | F-7 |
| 92045-0086 | C-4 | 92055-0122 | D-8 | 92072-0095 | E-11 | 92140-1064 | D-8 | 92151-1687 | B-11 | 92153-1200 | B-8 |
| 92045-0091 | C-3 | 92055-0136 | C-11 | 92072-030 | C-12 | 92143-1025 | E-6 | 92151-1688 | D-3 | 92153-1374 | F-14 |
| 92045-0094 | E-8 | 92055-086 | B-8 | 92072-030 | G-4 | 92143-1057 | E-6 | 92151-1689 | C-3 | 92153-1375 | F-14 |
| 92045-0095 | E-7 | 92055-1081 | C-12 | 92072-030 | G-9 | 92143-1057 | E-9 | 92151-1699 | B-11 | 92153-1502 | E-4 |
| 92045-0099 | D-8 | 92055-1136 | C-3 | 92072-031 | F-12 | 92143-1057 | G-5 | 92151-1754 | C-6 | 92153-1755 | F-14 |
| 92045-0110 | D-3 | 92055-1136 | C-4 | 92072-031 | G-9 | 92143-1057 | G-7 | 92151-1781 | C-8 | 92153-1850 | C-11 |
| 92045-1190 | C-3 | 92055-1146 | C-4 | 92072-056 | D-8 | 92143-1087 | E-11 | 92151-1793 | F-9 | 92153-1919 | F-11 |
| 92045-1190 | D-3 | 92055-1215 | C-14 | 92072-056 | F-12 | 92143-1087 | E-11 | 92151-1794 | D-6 | 92153-7007 | C-14 |
| 92045-1207 | D-3 | 92055-1276 | C-11 | 92072-056 | G-9 | 92143-1087 | E-12 | 92151-1795 | D-6 | 92160-1007 | C-12 |
| 92045-1393 | D-5 | 92055-1279 | C-12 | 92072-1239 | B-14 | 92143-1087 | E-6 | 92151-1908 | D-9 | 92160-1074 | F-11 |
| 92045-1394 | D-5 | 92055-1279 | C-4 | 92072-1239 | C-10 | 92143-1087 | E-9 | 92151-1909 | D-9 | 92160-1151 | E-6 |
| 92046-0022 | C-3 | 92055-1370 | C-11 | 92072-1239 | D-6 | 92143-1087 | G-5 | 92151-1910 | D-6 | 92160-1162 | G-8 |
| 92046-0028 | D-5 | 92055-1622 | C-5 | 92072-1239 | E-6 | 92143-1087 | G-6 | 92151-1914 | E-4 | 92160-1460 | G-3 |
| 92046-1046 | E-7 | 92055-1630 | B-14 | 92072-1239 | F-12 | 92143-1087 | G-7 | 92151-1917 | B-3 | 92160-1594 | B-5 |
| 92046-1046 | E-8 | 92055-1631 | D-8 | 92072-1239 | G-4 | 92143-1216 | F-10 | 92151-1975 | F-10 | 92161-0048 | E-6 |
| 92046-1118 | C-3 | 92055-1632 | C-4 | 92072-1239 | G-9 | 92143-1353 | C-12 | 92152-0155 | E-6 | 92161-0106 | E-12 |
| 92046-1143 | C-3 | 92055-1633 | D-4 | 92072-3509 | G-9 | 92143-1857 | C-8 | 92152-0191 | E-6 | 92161-0106 | F-12 |
| 92046-1276 | B-10 | 92055-1633 | D-8 | 92075-1690 | G-7 | 92143-1960 | E-12 | 92152-0198 | G-6 | 92161-0215 | E-4 |
| 92046-1278 | B-10 | 92055-1658 | C-5 | 92075-1882 | F-12 | 92144-1319 | F-9 | 92152-0254 | F-14 | 92161-0265 | E-8 |
| 92046-1279 | B-10 | 92055-1693 | D-4 | 92075-209 | C-12 | 92144-1674 | C-5 | 92152-0255 | F-14 | 92161-0319 | B-6 |
| 92046-1280 | D-8 | 92055-1693 | D-8 | 92075-261 | G-6 | 92145-0022 | F-13 | 92152-0257 | F-14 | 92161-0465 | C-7 |
| 92046-1286 | D-6 | 92055-1718 | C-10 | 92081-112 | C-8 | 92145-0130 | D-10 | 92152-0423 | B-6 | 92161-0572 | E-6 |
| 92046-1297 | D-6 | 92055-2185 | C-4 | 92081-1896 | G-7 | 92145-0144 | F-6 | 92152-1176 | F-11 | 92161-0586 | E-11 |
| 92048-0002 | C-11 | 92057-0073 | B-8 | 92092-0004 | E-8 | 92145-0557 | B-12 | 92152-1222 | D-10 | 92161-0618 | E-6 |
| 92049-0028 | D-8 | 92057-0074 | B-8 | 92092-0007 | F-7 | 92145-1297 | B-11 | 92152-1332 | B-14 | 92161-1111 | F-12 |
| 92049-0029 | D-8 | 92057-0075 | C-8 | 92093-0016 | B-14 | 92145-1299 | B-11 | 92152-1349 | D-6 | 92161-1114 | G-3 |
| 92049-0095 | D-3 | 92065-023 | D-6 | 92093-0024 | E-6 | 92145-1301 | D-9 | 92152-1351 | E-3 | 92161-1127 | E-6 |
| 92049-1198 | E-8 | 92065-023 | D-8 | 92093-0028 | E-6 | 92145-1303 | B-8 | 92152-1455 | E-7 | 92170-1448 | B-3 |
| 92049-1218 | B-7 | 92065-058 | B-11 | 92093-0033 | F-7 | 92145-1304 | D-4 | 92152-1455 | E-8 | 92170-1448 | B-5 |
| 92049-1223 | E-7 | 92065-097 | C-3 | 92093-0038 | E-13 | 92145-1304 | D-9 | 92152-1467 | C-14 | 92170-1497 | C-12 |
| 92049-1223 | E-8 | 92066-0011 | C-4 | 92093-0082 | C-5 | 92145-1313 | F-6 | 92152-7501 | E-3 | 92170-1514 | B-5 |
| 92049-1228 | C-4 | 92066-0012 | C-4 | 92093-0083 | B-5 | 92145-1344 | D-6 | 92153-0311 | D-9 | 92170-1514 | C-9 |
| 92049-1271 | B-11 | 92066-0036 | E-6 | 92093-0118 | E-11 | 92145-1392 | F-10 | 92153-0574 | G-6 | 92170-1514 | G-8 |
| 92049-1452 | C-3 | 92066-0095 | B-3 | 92093-0127 | C-5 | 92145-1421 | F-6 | 92153-0574 | G-7 | 92170-1764 | B-14 |
| 92049-1458 | D-10 | 92066-1077 | F-10 | 92093-0136 | E-11 | 92145-1429 | F-10 | 92153-0627 | F-8 | 92170-1925 | C-9 |
| 92049-1528 | B-13 | 92066-1174 | C-3 | 92093-1548 | B-14 | 92145-1499 | B-13 | 92153-0666 | E-8 | 92171-0081 | G-9 |

This catalog covers:

'08~'09 KVF750 D8F/D9F

GRID NO.

L-16

This grid covers:

Numerical Parts Index

| Part No. | Grid No. | Part No. | Grid No. | Part No. | Grid No. | Part No. | Grid No. | Part No. | Grid No. | Part No. | Grid No. |
|------------|----------|------------|----------|------------|----------|------------|----------|----------|----------|----------|----------|
| 92171-0208 | B-14 | 92180-1391 | D-6 | 92192-0560 | C-3 | 99947-1386 | H-9 | | | | |
| 92171-0223 | E-11 | 92180-1392 | D-6 | 92192-0572 | E-6 | 99972-1109 | H-9 | | | | |
| 92171-0225 | B-5 | 92180-1393 | D-6 | 92192-0578 | C-5 | 99972-1129 | H-9 | | | | |
| 92171-0228 | G-4 | 92180-1394 | D-6 | 92192-0716 | D-7 | 99977-1280 | H-9 | | | | |
| 92171-0329 | C-3 | 92180-1395 | D-6 | 92200-0284 | E-11 | 99977-1332 | H-9 | | | | |
| 92171-0378 | F-11 | 92180-1396 | D-6 | 92200-0364 | B-5 | 99984-1084 | H-9 | | | | |
| 92171-0380 | F-12 | 92180-1397 | D-6 | 92200-0384 | E-3 | 99984-1094 | H-9 | | | | |
| 92171-0476 | G-9 | 92180-1398 | D-6 | 92200-1240 | B-10 | 99992-1048 | H-9 | | | | |
| 92171-0515 | F-12 | 92180-1399 | D-6 | 92200-1251 | E-13 | 99992-1057 | H-9 | | | | |
| 92171-0722 | B-3 | 92180-1400 | D-6 | 92200-1251 | G-13 | 99999-0055 | E-11 | | | | |
| 92171-0722 | B-5 | 92180-1401 | D-6 | 92200-1351 | B-10 | | | | | | |
| 92171-1185 | C-5 | 92180-1402 | D-6 | 92200-1504 | B-12 | | | | | | |
| 92171-1329 | C-8 | 92180-1403 | D-6 | 92200-1505 | B-13 | | | | | | |
| 92171-1330 | B-6 | 92180-1404 | D-6 | 92200-1508 | B-7 | | | | | | |
| 92171-1344 | F-11 | 92180-1405 | D-6 | 92200-1558 | F-11 | | | | | | |
| 92171-1423 | G-9 | 92180-1406 | D-6 | 92200-1559 | F-11 | | | | | | |
| 92171-1424 | G-9 | 92180-1407 | D-6 | 92200-1564 | C-5 | | | | | | |
| 92171-1438 | C-5 | 92180-1408 | D-6 | 92200-1595 | E-14 | | | | | | |
| 92171-1736 | C-12 | 92180-1409 | D-6 | 92200-1595 | F-3 | | | | | | |
| 92171-1741 | F-12 | 92180-1410 | D-6 | 92200-1634 | B-12 | | | | | | |
| 92171-7501 | E-3 | 92180-1411 | D-6 | 92200-1635 | D-7 | | | | | | |
| 92172-0002 | E-12 | 92180-1412 | D-7 | 92200-2035 | B-6 | | | | | | |
| 92172-0002 | E-9 | 92180-1413 | D-7 | 92210-0188 | C-11 | | | | | | |
| 92172-0002 | G-5 | 92180-1414 | D-7 | 92210-0276 | E-8 | | | | | | |
| 92172-0078 | F-11 | 92180-1415 | D-7 | 92210-0276 | F-7 | | | | | | |
| 92172-0156 | C-5 | 92180-1416 | D-7 | 92210-0335 | C-12 | | | | | | |
| 92172-0175 | E-6 | 92180-1417 | D-9 | 92210-0395 | E-7 | | | | | | |
| 92172-0297 | B-5 | 92180-1418 | D-9 | 92210-1081 | E-4 | | | | | | |
| 92172-0300 | B-5 | 92180-1419 | D-9 | 92210-1109 | G-10 | | | | | | |
| 92172-0341 | D-9 | 92180-1420 | D-9 | 92210-1150 | E-4 | | | | | | |
| 92172-0371 | D-3 | 92180-1421 | D-9 | 92210-1184 | E-3 | | | | | | |
| 92180-0161 | D-9 | 92180-1422 | D-9 | 92210-1225 | D-7 | | | | | | |
| 92180-0162 | D-9 | 92180-1423 | D-9 | 92210-1242 | B-6 | | | | | | |
| 92180-0163 | D-9 | 92180-1424 | D-9 | 92210-1242 | D-10 | | | | | | |
| 92180-0164 | D-9 | 92180-1425 | D-9 | 92210-1284 | D-10 | | | | | | |
| 92180-0165 | D-9 | 92180-1426 | D-9 | 92210-1294 | D-3 | | | | | | |
| 92180-0166 | D-9 | 92180-1427 | D-9 | 92210-1294 | D-9 | | | | | | |
| 92180-1307 | D-3 | 92180-1428 | D-9 | 92210-1325 | E-14 | | | | | | |
| 92180-1308 | D-3 | 92191-1384 | F-12 | 92210-1325 | F-3 | | | | | | |
| 92180-1309 | D-3 | 92191-1531 | B-5 | 92210-1331 | E-6 | | | | | | |
| 92180-1310 | D-3 | 92192-0057 | C-3 | 92210-1349 | F-4 | | | | | | |
| 92180-1311 | D-3 | 92192-0067 | F-12 | 92210-1351 | D-7 | | | | | | |
| 92180-1312 | D-3 | 92192-0068 | F-12 | 92210-1367 | B-13 | | | | | | |
| 92180-1313 | D-3 | 92192-0128 | F-12 | 92210-1381 | F-5 | | | | | | |
| 92180-1314 | D-3 | 92192-0210 | D-9 | 92210-1385 | E-3 | | | | | | |
| 92180-1349 | D-3 | 92192-0436 | C-3 | 92210-1386 | E-3 | | | | | | |
| 92180-1350 | D-3 | 92192-0437 | C-5 | 92210-7501 | E-3 | | | | | | |
| 92180-1351 | D-3 | 92192-0439 | C-5 | 99923-1619 | H-9 | | | | | | |
| 92180-1352 | D-3 | 92192-0448 | B-5 | 99923-1625 | H-9 | | | | | | |
| 92180-1390 | D-6 | 92192-0449 | B-5 | 99947-1380 | H-9 | | | | | | |

This catalog covers:

'08~'09 KVF750 D8F/D9F

GRID NO.

B-16

This grid covers:

Part Name Index

| | |
|-----------------------------------|-------------|
| Air Cleaner..... | B-5 |
| Brake Pedal..... | F-6 |
| Cables..... | G-4 |
| Camshaft(s)..... | B-8 |
| Carrier(s)..... | F-14 |
| Chassis Electrical Equipment..... | G-9 |
| Control..... | D-10 |
| Converter Cover..... | B-14 |
| Crankcase..... | C-3 |
| Crankshaft..... | B-9 |
| Cylinder..... | B-4 |
| Cylinder Head..... | B-3 |
| Decals(Black)(D8F)(EU,UK)..... | G-14 |
| Decals(Black)(D9F)(EU,UK)..... | H-5 |
| Decals(L.Green)(D8F)(AS)..... | H-4 |
| Decals(L.Green)(D9F)(AS)..... | H-7 |
| Decals(W.Green)(D8F)(EU,UK)..... | H-3 |
| Decals(W.Green)(D9F)(EU,UK)..... | H-6 |
| Drive Belt..... | B-13 |
| Drive Converter..... | B-12 |
| Drive Shaft-Front..... | D-5/D-6/D-7 |
| Drive Shaft-Propeller..... | D-4 |
| Drive Shaft-Rear..... | D-8/D-9 |
| Driven Converter..... | B-13 |
| Engine Cover(s)..... | C-4 |
| Engine Mount..... | E-4 |
| Flap..... | E-13 |
| Footrests..... | E-9 |
| Frame..... | E-3 |
| Frame Fittings..... | E-5/E-6 |
| Front Bevel Gear..... | D-3 |
| Front Brake..... | F-9 |
| Front Fender(s)..... | E-10/E-11 |
| Front Hub..... | F-4 |
| Front Master Cylinder..... | F-8 |
| Front Suspension..... | E-7 |

| | |
|----------------------------|-----------|
| Fuel Injection..... | C-7 |
| Fuel Pump..... | C-6 |
| Fuel Tank..... | F-12 |
| Gear Change Mechanism..... | B-11 |
| Generator..... | C-9 |
| Guard(s)..... | G-6 |
| Handlebar..... | F-10/F-11 |
| Headlight(s)..... | G-7 |
| Ignition Switch..... | G-10 |
| Ignition System..... | C-10 |
| Labels..... | G-13 |
| Manual(EU,UK)..... | H-9 |
| Meter(s)..... | G-3 |
| Muffler(s)..... | B-6 |
| Oil Pump..... | C-8 |
| Optional Parts..... | H-8 |
| Owner's Tools..... | G-12 |
| Piston(s)..... | B-4 |
| Radiator..... | C-12/C-13 |
| Rear Fender(s)..... | E-12 |
| Rear Hub..... | F-5 |
| Rear Suspension..... | E-8 |
| Recoil Starter..... | C-14 |
| Rectors..... | G-11 |
| Seat..... | F-13 |
| Shock Absorber(s)..... | F-7 |
| Side Covers..... | G-5 |
| Starter Motor..... | C-11 |
| Taillight(s)..... | G-8 |
| Tensioner..... | B-8 |
| Throttle..... | C-5 |
| Tires(D8F)..... | E-14 |
| Tires(D9F)..... | F-3 |
| Transmission..... | B-10 |
| Valve(s)..... | B-7 |

This catalog covers:

'08~'09 KVF750 D8F/D9F

GRID NO.

C-16

This grid covers:

Part Name Index

| | |
|-----------------------------------|-------------|
| Air Cleaner..... | B-5 |
| Brake Pedal..... | F-6 |
| Cables..... | G-4 |
| Camshaft(s)..... | B-8 |
| Carrier(s)..... | F-14 |
| Chassis Electrical Equipment..... | G-9 |
| Control..... | D-10 |
| Converter Cover..... | B-14 |
| Crankcase..... | C-3 |
| Crankshaft..... | B-9 |
| Cylinder..... | B-4 |
| Cylinder Head..... | B-3 |
| Decals(Black)(D8F)(EU,UK)..... | G-14 |
| Decals(Black)(D9F)(EU,UK)..... | H-5 |
| Decals(L.Green)(D8F)(AS)..... | H-4 |
| Decals(L.Green)(D9F)(AS)..... | H-7 |
| Decals(W.Green)(D8F)(EU,UK)..... | H-3 |
| Decals(W.Green)(D9F)(EU,UK)..... | H-6 |
| Drive Belt..... | B-13 |
| Drive Converter..... | B-12 |
| Drive Shaft-Front..... | D-5/D-6/D-7 |
| Drive Shaft-Propeller..... | D-4 |
| Drive Shaft-Rear..... | D-8/D-9 |
| Driven Converter..... | B-13 |
| Engine Cover(s)..... | C-4 |
| Engine Mount..... | E-4 |
| Flap..... | E-13 |
| Footrests..... | E-9 |
| Frame..... | E-3 |
| Frame Fittings..... | E-5/E-6 |
| Front Bevel Gear..... | D-3 |
| Front Brake..... | F-9 |
| Front Fender(s)..... | E-10/E-11 |
| Front Hub..... | F-4 |
| Front Master Cylinder..... | F-8 |
| Front Suspension..... | E-7 |

| | |
|----------------------------|-----------|
| Fuel Injection..... | C-7 |
| Fuel Pump..... | C-6 |
| Fuel Tank..... | F-12 |
| Gear Change Mechanism..... | B-11 |
| Generator..... | C-9 |
| Guard(s)..... | G-6 |
| Handlebar..... | F-10/F-11 |
| Headlight(s)..... | G-7 |
| Ignition Switch..... | G-10 |
| Ignition System..... | C-10 |
| Labels..... | G-13 |
| Manual(EU,UK)..... | H-9 |
| Meter(s)..... | G-3 |
| Muff er(s)..... | B-6 |
| Oil Pump..... | C-8 |
| Optional Parts..... | H-8 |
| Owner's Tools..... | G-12 |
| Piston(s)..... | B-4 |
| Radiator..... | C-12/C-13 |
| Rear Fender(s)..... | E-12 |
| Rear Hub..... | F-5 |
| Rear Suspension..... | E-8 |
| Recoil Starter..... | C-14 |
| Re ctors..... | G-11 |
| Seat..... | F-13 |
| Shock Absorber(s)..... | F-7 |
| Side Covers..... | G-5 |
| Starter Motor..... | C-11 |
| Taillight(s)..... | G-8 |
| Tensioner..... | B-8 |
| Throttle..... | C-5 |
| Tires(D8F)..... | E-14 |
| Tires(D9F)..... | F-3 |
| Transmission..... | B-10 |
| Valve(s)..... | B-7 |

This catalog covers:

'08~'09 KVF750 D8F/D9F

GRID NO.

D-16

This grid covers:

Part Name Index

| | |
|-----------------------------------|-------------|
| Air Cleaner..... | B-5 |
| Brake Pedal..... | F-6 |
| Cables..... | G-4 |
| Camshaft(s)..... | B-8 |
| Carrier(s)..... | F-14 |
| Chassis Electrical Equipment..... | G-9 |
| Control..... | D-10 |
| Converter Cover..... | B-14 |
| Crankcase..... | C-3 |
| Crankshaft..... | B-9 |
| Cylinder..... | B-4 |
| Cylinder Head..... | B-3 |
| Decals(Black)(D8F)(EU,UK)..... | G-14 |
| Decals(Black)(D9F)(EU,UK)..... | H-5 |
| Decals(L.Green)(D8F)(AS)..... | H-4 |
| Decals(L.Green)(D9F)(AS)..... | H-7 |
| Decals(W.Green)(D8F)(EU,UK)..... | H-3 |
| Decals(W.Green)(D9F)(EU,UK)..... | H-6 |
| Drive Belt..... | B-13 |
| Drive Converter..... | B-12 |
| Drive Shaft-Front..... | D-5/D-6/D-7 |
| Drive Shaft-Propeller..... | D-4 |
| Drive Shaft-Rear..... | D-8/D-9 |
| Driven Converter..... | B-13 |
| Engine Cover(s)..... | C-4 |
| Engine Mount..... | E-4 |
| Flap..... | E-13 |
| Footrests..... | E-9 |
| Frame..... | E-3 |
| Frame Fittings..... | E-5/E-6 |
| Front Bevel Gear..... | D-3 |
| Front Brake..... | F-9 |
| Front Fender(s)..... | E-10/E-11 |
| Front Hub..... | F-4 |
| Front Master Cylinder..... | F-8 |
| Front Suspension..... | E-7 |

| | |
|----------------------------|-----------|
| Fuel Injection..... | C-7 |
| Fuel Pump..... | C-6 |
| Fuel Tank..... | F-12 |
| Gear Change Mechanism..... | B-11 |
| Generator..... | C-9 |
| Guard(s)..... | G-6 |
| Handlebar..... | F-10/F-11 |
| Headlight(s)..... | G-7 |
| Ignition Switch..... | G-10 |
| Ignition System..... | C-10 |
| Labels..... | G-13 |
| Manual(EU,UK)..... | H-9 |
| Meter(s)..... | G-3 |
| Muff er(s)..... | B-6 |
| Oil Pump..... | C-8 |
| Optional Parts..... | H-8 |
| Owner's Tools..... | G-12 |
| Piston(s)..... | B-4 |
| Radiator..... | C-12/C-13 |
| Rear Fender(s)..... | E-12 |
| Rear Hub..... | F-5 |
| Rear Suspension..... | E-8 |
| Recoil Starter..... | C-14 |
| Re ctors..... | G-11 |
| Seat..... | F-13 |
| Shock Absorber(s)..... | F-7 |
| Side Covers..... | G-5 |
| Starter Motor..... | C-11 |
| Taillight(s)..... | G-8 |
| Tensioner..... | B-8 |
| Throttle..... | C-5 |
| Tires(D8F)..... | E-14 |
| Tires(D9F)..... | F-3 |
| Transmission..... | B-10 |
| Valve(s)..... | B-7 |

This catalog covers:

'08~'09 KVF750 D8F/D9F

GRID NO.

E-16

This grid covers:

Part Name Index

| | |
|-----------------------------------|-------------|
| Air Cleaner..... | B-5 |
| Brake Pedal..... | F-6 |
| Cables..... | G-4 |
| Camshaft(s)..... | B-8 |
| Carrier(s)..... | F-14 |
| Chassis Electrical Equipment..... | G-9 |
| Control..... | D-10 |
| Converter Cover..... | B-14 |
| Crankcase..... | C-3 |
| Crankshaft..... | B-9 |
| Cylinder..... | B-4 |
| Cylinder Head..... | B-3 |
| Decals(Black)(D8F)(EU,UK)..... | G-14 |
| Decals(Black)(D9F)(EU,UK)..... | H-5 |
| Decals(L.Green)(D8F)(AS)..... | H-4 |
| Decals(L.Green)(D9F)(AS)..... | H-7 |
| Decals(W.Green)(D8F)(EU,UK)..... | H-3 |
| Decals(W.Green)(D9F)(EU,UK)..... | H-6 |
| Drive Belt..... | B-13 |
| Drive Converter..... | B-12 |
| Drive Shaft-Front..... | D-5/D-6/D-7 |
| Drive Shaft-Propeller..... | D-4 |
| Drive Shaft-Rear..... | D-8/D-9 |
| Driven Converter..... | B-13 |
| Engine Cover(s)..... | C-4 |
| Engine Mount..... | E-4 |
| Flap..... | E-13 |
| Footrests..... | E-9 |
| Frame..... | E-3 |
| Frame Fittings..... | E-5/E-6 |
| Front Bevel Gear..... | D-3 |
| Front Brake..... | F-9 |
| Front Fender(s)..... | E-10/E-11 |
| Front Hub..... | F-4 |
| Front Master Cylinder..... | F-8 |
| Front Suspension..... | E-7 |

| | |
|----------------------------|-----------|
| Fuel Injection..... | C-7 |
| Fuel Pump..... | C-6 |
| Fuel Tank..... | F-12 |
| Gear Change Mechanism..... | B-11 |
| Generator..... | C-9 |
| Guard(s)..... | G-6 |
| Handlebar..... | F-10/F-11 |
| Headlight(s)..... | G-7 |
| Ignition Switch..... | G-10 |
| Ignition System..... | C-10 |
| Labels..... | G-13 |
| Manual(EU,UK)..... | H-9 |
| Meter(s)..... | G-3 |
| Muff er(s)..... | B-6 |
| Oil Pump..... | C-8 |
| Optional Parts..... | H-8 |
| Owner's Tools..... | G-12 |
| Piston(s)..... | B-4 |
| Radiator..... | C-12/C-13 |
| Rear Fender(s)..... | E-12 |
| Rear Hub..... | F-5 |
| Rear Suspension..... | E-8 |
| Recoil Starter..... | C-14 |
| Re ctors..... | G-11 |
| Seat..... | F-13 |
| Shock Absorber(s)..... | F-7 |
| Side Covers..... | G-5 |
| Starter Motor..... | C-11 |
| Taillight(s)..... | G-8 |
| Tensioner..... | B-8 |
| Throttle..... | C-5 |
| Tires(D8F)..... | E-14 |
| Tires(D9F)..... | F-3 |
| Transmission..... | B-10 |
| Valve(s)..... | B-7 |

This catalog covers:

'08~'09 KVF750 D8F/D9F

GRID NO.

F-16

This grid covers:

Part Name Index

| | |
|-----------------------------------|-------------|
| Air Cleaner..... | B-5 |
| Brake Pedal..... | F-6 |
| Cables..... | G-4 |
| Camshaft(s)..... | B-8 |
| Carrier(s)..... | F-14 |
| Chassis Electrical Equipment..... | G-9 |
| Control..... | D-10 |
| Converter Cover..... | B-14 |
| Crankcase..... | C-3 |
| Crankshaft..... | B-9 |
| Cylinder..... | B-4 |
| Cylinder Head..... | B-3 |
| Decals(Black)(D8F)(EU,UK)..... | G-14 |
| Decals(Black)(D9F)(EU,UK)..... | H-5 |
| Decals(L.Green)(D8F)(AS)..... | H-4 |
| Decals(L.Green)(D9F)(AS)..... | H-7 |
| Decals(W.Green)(D8F)(EU,UK)..... | H-3 |
| Decals(W.Green)(D9F)(EU,UK)..... | H-6 |
| Drive Belt..... | B-13 |
| Drive Converter..... | B-12 |
| Drive Shaft-Front..... | D-5/D-6/D-7 |
| Drive Shaft-Propeller..... | D-4 |
| Drive Shaft-Rear..... | D-8/D-9 |
| Driven Converter..... | B-13 |
| Engine Cover(s)..... | C-4 |
| Engine Mount..... | E-4 |
| Flap..... | E-13 |
| Footrests..... | E-9 |
| Frame..... | E-3 |
| Frame Fittings..... | E-5/E-6 |
| Front Bevel Gear..... | D-3 |
| Front Brake..... | F-9 |
| Front Fender(s)..... | E-10/E-11 |
| Front Hub..... | F-4 |
| Front Master Cylinder..... | F-8 |
| Front Suspension..... | E-7 |

| | |
|----------------------------|-----------|
| Fuel Injection..... | C-7 |
| Fuel Pump..... | C-6 |
| Fuel Tank..... | F-12 |
| Gear Change Mechanism..... | B-11 |
| Generator..... | C-9 |
| Guard(s)..... | G-6 |
| Handlebar..... | F-10/F-11 |
| Headlight(s)..... | G-7 |
| Ignition Switch..... | G-10 |
| Ignition System..... | C-10 |
| Labels..... | G-13 |
| Manual(EU,UK)..... | H-9 |
| Meter(s)..... | G-3 |
| Muffler(s)..... | B-6 |
| Oil Pump..... | C-8 |
| Optional Parts..... | H-8 |
| Owner's Tools..... | G-12 |
| Piston(s)..... | B-4 |
| Radiator..... | C-12/C-13 |
| Rear Fender(s)..... | E-12 |
| Rear Hub..... | F-5 |
| Rear Suspension..... | E-8 |
| Recoil Starter..... | C-14 |
| Rectors..... | G-11 |
| Seat..... | F-13 |
| Shock Absorber(s)..... | F-7 |
| Side Covers..... | G-5 |
| Starter Motor..... | C-11 |
| Taillight(s)..... | G-8 |
| Tensioner..... | B-8 |
| Throttle..... | C-5 |
| Tires(D8F)..... | E-14 |
| Tires(D9F)..... | F-3 |
| Transmission..... | B-10 |
| Valve(s)..... | B-7 |

This catalog covers:

'08~'09 KVF750 D8F/D9F

GRID NO.

G-16

This grid covers:

Part Name Index

| | |
|-----------------------------------|-------------|
| Air Cleaner..... | B-5 |
| Brake Pedal..... | F-6 |
| Cables..... | G-4 |
| Camshaft(s)..... | B-8 |
| Carrier(s)..... | F-14 |
| Chassis Electrical Equipment..... | G-9 |
| Control..... | D-10 |
| Converter Cover..... | B-14 |
| Crankcase..... | C-3 |
| Crankshaft..... | B-9 |
| Cylinder..... | B-4 |
| Cylinder Head..... | B-3 |
| Decals(Black)(D8F)(EU,UK)..... | G-14 |
| Decals(Black)(D9F)(EU,UK)..... | H-5 |
| Decals(L.Green)(D8F)(AS)..... | H-4 |
| Decals(L.Green)(D9F)(AS)..... | H-7 |
| Decals(W.Green)(D8F)(EU,UK)..... | H-3 |
| Decals(W.Green)(D9F)(EU,UK)..... | H-6 |
| Drive Belt..... | B-13 |
| Drive Converter..... | B-12 |
| Drive Shaft-Front..... | D-5/D-6/D-7 |
| Drive Shaft-Propeller..... | D-4 |
| Drive Shaft-Rear..... | D-8/D-9 |
| Driven Converter..... | B-13 |
| Engine Cover(s)..... | C-4 |
| Engine Mount..... | E-4 |
| Flap..... | E-13 |
| Footrests..... | E-9 |
| Frame..... | E-3 |
| Frame Fittings..... | E-5/E-6 |
| Front Bevel Gear..... | D-3 |
| Front Brake..... | F-9 |
| Front Fender(s)..... | E-10/E-11 |
| Front Hub..... | F-4 |
| Front Master Cylinder..... | F-8 |
| Front Suspension..... | E-7 |

| | |
|----------------------------|-----------|
| Fuel Injection..... | C-7 |
| Fuel Pump..... | C-6 |
| Fuel Tank..... | F-12 |
| Gear Change Mechanism..... | B-11 |
| Generator..... | C-9 |
| Guard(s)..... | G-6 |
| Handlebar..... | F-10/F-11 |
| Headlight(s)..... | G-7 |
| Ignition Switch..... | G-10 |
| Ignition System..... | C-10 |
| Labels..... | G-13 |
| Manual(EU,UK)..... | H-9 |
| Meter(s)..... | G-3 |
| Muffler(s)..... | B-6 |
| Oil Pump..... | C-8 |
| Optional Parts..... | H-8 |
| Owner's Tools..... | G-12 |
| Piston(s)..... | B-4 |
| Radiator..... | C-12/C-13 |
| Rear Fender(s)..... | E-12 |
| Rear Hub..... | F-5 |
| Rear Suspension..... | E-8 |
| Recoil Starter..... | C-14 |
| Rectors..... | G-11 |
| Seat..... | F-13 |
| Shock Absorber(s)..... | F-7 |
| Side Covers..... | G-5 |
| Starter Motor..... | C-11 |
| Taillight(s)..... | G-8 |
| Tensioner..... | B-8 |
| Throttle..... | C-5 |
| Tires(D8F)..... | E-14 |
| Tires(D9F)..... | F-3 |
| Transmission..... | B-10 |
| Valve(s)..... | B-7 |

This catalog covers:

'08~'09 KVF750 D8F/D9F

GRID NO.

H-16

This grid covers:

Part Name Index

| | |
|-----------------------------------|-------------|
| Air Cleaner..... | B-5 |
| Brake Pedal..... | F-6 |
| Cables..... | G-4 |
| Camshaft(s)..... | B-8 |
| Carrier(s)..... | F-14 |
| Chassis Electrical Equipment..... | G-9 |
| Control..... | D-10 |
| Converter Cover..... | B-14 |
| Crankcase..... | C-3 |
| Crankshaft..... | B-9 |
| Cylinder..... | B-4 |
| Cylinder Head..... | B-3 |
| Decals(Black)(D8F)(EU,UK)..... | G-14 |
| Decals(Black)(D9F)(EU,UK)..... | H-5 |
| Decals(L.Green)(D8F)(AS)..... | H-4 |
| Decals(L.Green)(D9F)(AS)..... | H-7 |
| Decals(W.Green)(D8F)(EU,UK)..... | H-3 |
| Decals(W.Green)(D9F)(EU,UK)..... | H-6 |
| Drive Belt..... | B-13 |
| Drive Converter..... | B-12 |
| Drive Shaft-Front..... | D-5/D-6/D-7 |
| Drive Shaft-Propeller..... | D-4 |
| Drive Shaft-Rear..... | D-8/D-9 |
| Driven Converter..... | B-13 |
| Engine Cover(s)..... | C-4 |
| Engine Mount..... | E-4 |
| Flap..... | E-13 |
| Footrests..... | E-9 |
| Frame..... | E-3 |
| Frame Fittings..... | E-5/E-6 |
| Front Bevel Gear..... | D-3 |
| Front Brake..... | F-9 |
| Front Fender(s)..... | E-10/E-11 |
| Front Hub..... | F-4 |
| Front Master Cylinder..... | F-8 |
| Front Suspension..... | E-7 |

| | |
|----------------------------|-----------|
| Fuel Injection..... | C-7 |
| Fuel Pump..... | C-6 |
| Fuel Tank..... | F-12 |
| Gear Change Mechanism..... | B-11 |
| Generator..... | C-9 |
| Guard(s)..... | G-6 |
| Handlebar..... | F-10/F-11 |
| Headlight(s)..... | G-7 |
| Ignition Switch..... | G-10 |
| Ignition System..... | C-10 |
| Labels..... | G-13 |
| Manual(EU,UK)..... | H-9 |
| Meter(s)..... | G-3 |
| Muffler(s)..... | B-6 |
| Oil Pump..... | C-8 |
| Optional Parts..... | H-8 |
| Owner's Tools..... | G-12 |
| Piston(s)..... | B-4 |
| Radiator..... | C-12/C-13 |
| Rear Fender(s)..... | E-12 |
| Rear Hub..... | F-5 |
| Rear Suspension..... | E-8 |
| Recoil Starter..... | C-14 |
| Rectors..... | G-11 |
| Seat..... | F-13 |
| Shock Absorber(s)..... | F-7 |
| Side Covers..... | G-5 |
| Starter Motor..... | C-11 |
| Taillight(s)..... | G-8 |
| Tensioner..... | B-8 |
| Throttle..... | C-5 |
| Tires(D8F)..... | E-14 |
| Tires(D9F)..... | F-3 |
| Transmission..... | B-10 |
| Valve(s)..... | B-7 |