

**2010**

**illustrated Parts  
Manual**

**Thundercat EFT**



**Model Number A2010IEW4EETA (Metallic Cat Green)**

**ARCTIC CAT<sup>®</sup>**  
SHARE OUR PASSION.™

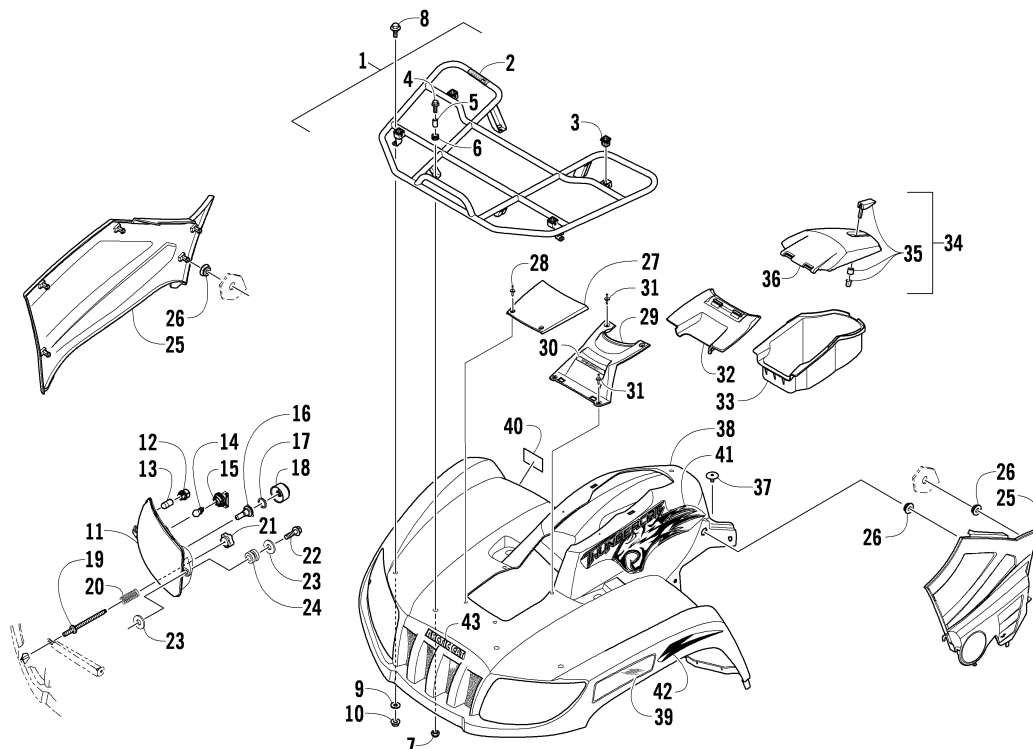
# TABLE OF CONTENTS

## 2010 ATV Thundercat EFT

Metallic Cat Green (Model No. A2010IEW4EETA)

FRONT RACK, BODY PANEL, AND HEADLIGHT ASSEMBLIES .....	1
REAR RACK, BODY PANEL, AND FOOTWELL ASSEMBLIES .....	2
FRAME AND RELATED PARTS .....	3
WINCH ASSEMBLY .....	4
LICENSE PLATE HOLDER ASSEMBLY .....	5
SEAT ASSEMBLY .....	6
STEERING ASSEMBLY .....	7
HANDLEBAR ASSEMBLY .....	8
INSTRUMENT POD ASSEMBLY .....	9
FRONT SUSPENSION ASSEMBLY .....	10
REAR SUSPENSION ASSEMBLY .....	11
WHEEL AND TIRE ASSEMBLY .....	12
HYDRAULIC BRAKE ASSEMBLY .....	13
PARKING BRAKE ASSEMBLY .....	14
GAS TANK ASSEMBLY .....	15
SHIFT LEVER ASSEMBLY .....	16
AIR INTAKE ASSEMBLY .....	17
ENGINE AND EXHAUST .....	18
COOLING ASSEMBLY .....	19
CASE/BELT COOLING ASSEMBLY .....	20
DRIVE TRAIN ASSEMBLY .....	21
FRONT DRIVE GEARCASE ASSEMBLY .....	22
REAR DRIVE GEARCASE ASSEMBLY .....	23
WIRING HARNESS ASSEMBLY .....	24
BATTERY AND STARTER ASSEMBLY .....	25
THROTTLE BODY ASSEMBLY .....	26
CYLINDER ASSEMBLY .....	27
CYLINDER HEAD AND CAMSHAFT/VALVE ASSEMBLY .....	28
CAM CHAIN ASSEMBLY .....	29
CRANKCASE ASSEMBLY .....	30
CRANKSHAFT AND PISTON ASSEMBLY .....	31
STARTER CLUTCH ASSEMBLY .....	32
OIL FILTER/PUMP ASSEMBLY .....	33
WATER PUMP ASSEMBLY .....	34
TRANSMISSION ASSEMBLY .....	35
SECONDARY TRANSMISSION ASSEMBLY .....	36
GEAR SHIFTING ASSEMBLY .....	37
SECONDARY DRIVE ASSEMBLY .....	38
MAGNETO ASSEMBLY .....	39
MAGNETO SIDE ENGINE COVERS .....	40
CLUTCH SIDE ENGINE COVERS .....	41

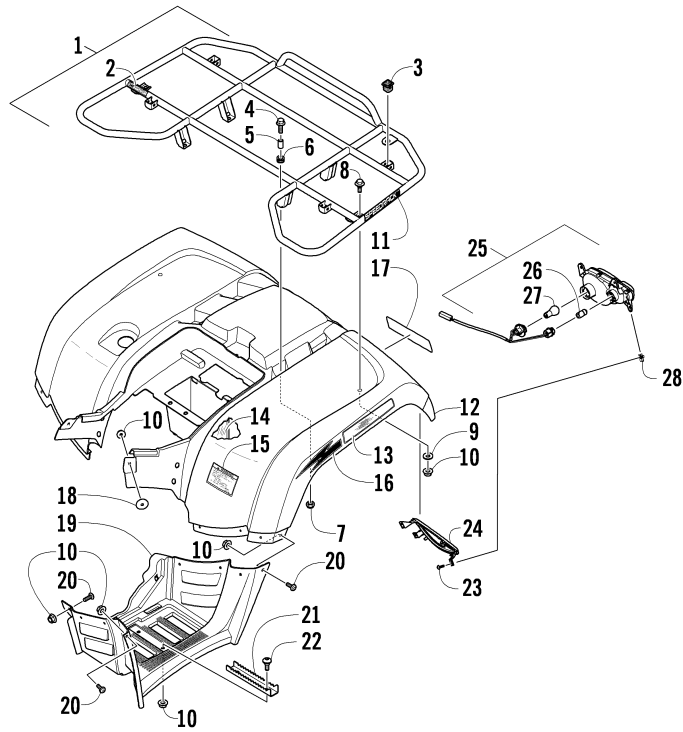
■ **NOTE:** The illustrations used in this Parts Manual are for reference to replacement part numbers only and are not to be used for assembly. For assembly procedures, use an Arctic Cat Service Manual. For a complete list of related items, refer to the current accessory catalog.



## FRONT RACK, BODY PANEL, AND HEADLIGHT ASSEMBLIES

0744-983

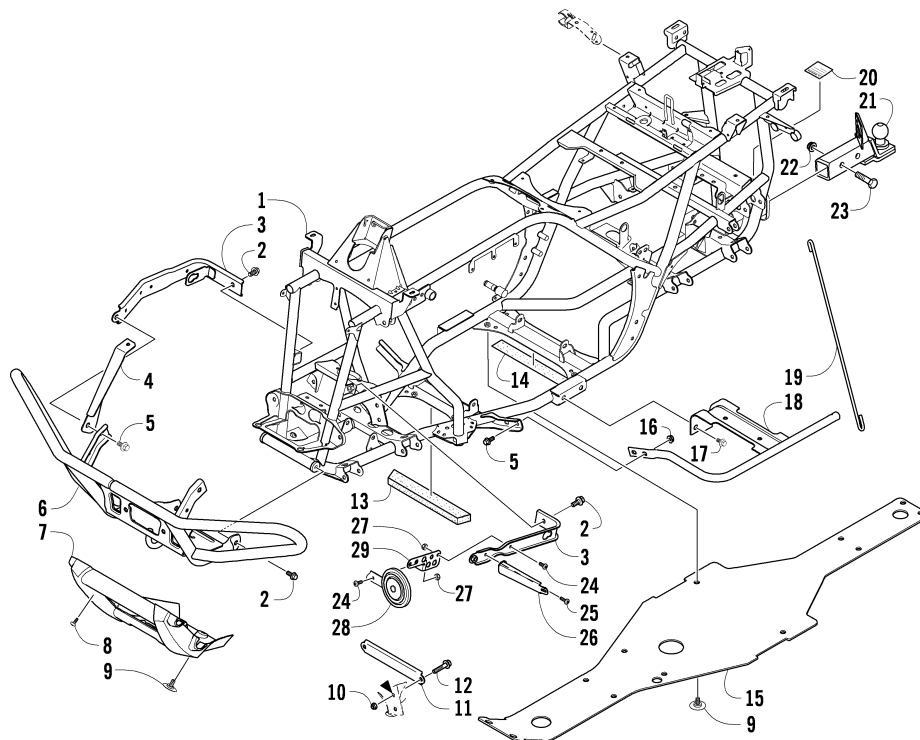
Ref	Part No.	New Qty	Description	Ref	Part No.	New Qty	Description
1	2506-106	1	Rack, Front - Assembly (inc. 2-3)	24	0423-447	4	Grommet
2	0411-576	1	● Decal, Warning - Load	25	2406-588	1	Panel, Side - Lower - Right
3	0441-592	4	● Bushing		2406-589	1	Panel, Side - Lower - Left
4	8410-830	4	Screw, Cap	26	0423-678	8	Grommet
5	0423-669	4	Spacer	27	1406-358	1	Cover, Access
6	0423-465	4	Grommet	28	0423-535	2	Rivet, Reinstallable
7	8432-802	4	Nut, Lock	29	1406-484	1	Cover, Steering Post
8	0423-654	2	Screw, Shoulder	30	1411-050	1	Decal, "Speedrack"
9	8050-222	2	Washer	31	0623-362	4	Rivet, Reinstallable
10	0423-540	2	Nut, Lock	32	0470-513	1	Cover, Storage Box
11	0509-036	1	Headlight Assembly - Right (inc. 12-18)	33	1406-573	1	Box, Storage
	0509-037	1	Headlight Assembly - Left (inc. 12-18)	34	2506-234	1	Lid, Storage Box w/Latch (inc. 35-36)
12	0409-102	2	● Socket, Position Bulb	35	1406-599	1	● Latch, Storage Box
13	0409-101	2	● Bulb, Position	36	0470-514	1	● Lid, Storage Box
14	0409-099	2	● Bulb, Turn Signal	37	0423-101	2	Screw, Shoulder
15	0409-100	2	● Socket, Turn Signal Bulb	38	2516-134	1	Panel, Fender - Metallic Cat Green
16	0409-096	2	● Bulb, Headlight	39	0411-818	1	Decal, Reflector - Right - Amber
17	0409-097	2	● Retainer, Spring		0411-819	1	Decal, Reflector - Left - Amber
18	0409-098	2	● Boot, Rubber	40	1411-906	1	Decal, Warning - Throttle
19	0423-514	2	Stud, Adjuster - Headlight	41	1411-888	1	Decal, Side - Upper Right
20	0423-522	2	Spring, Adjuster		1411-889	1	Decal, Side - Upper Left
21	0423-513	2	Knob, Adjuster	42	1411-820	1	Decal, Side Fender - Front - Right
22	0623-785	4	Screw, Self-Tapping		1411-821	1	Decal, Side Fender - Front - Left
23	8050-217	8	Washer	43	1411-725	1	Decal, Front



## REAR RACK, BODY PANEL, AND FOOTWELL ASSEMBLIES

0745-003

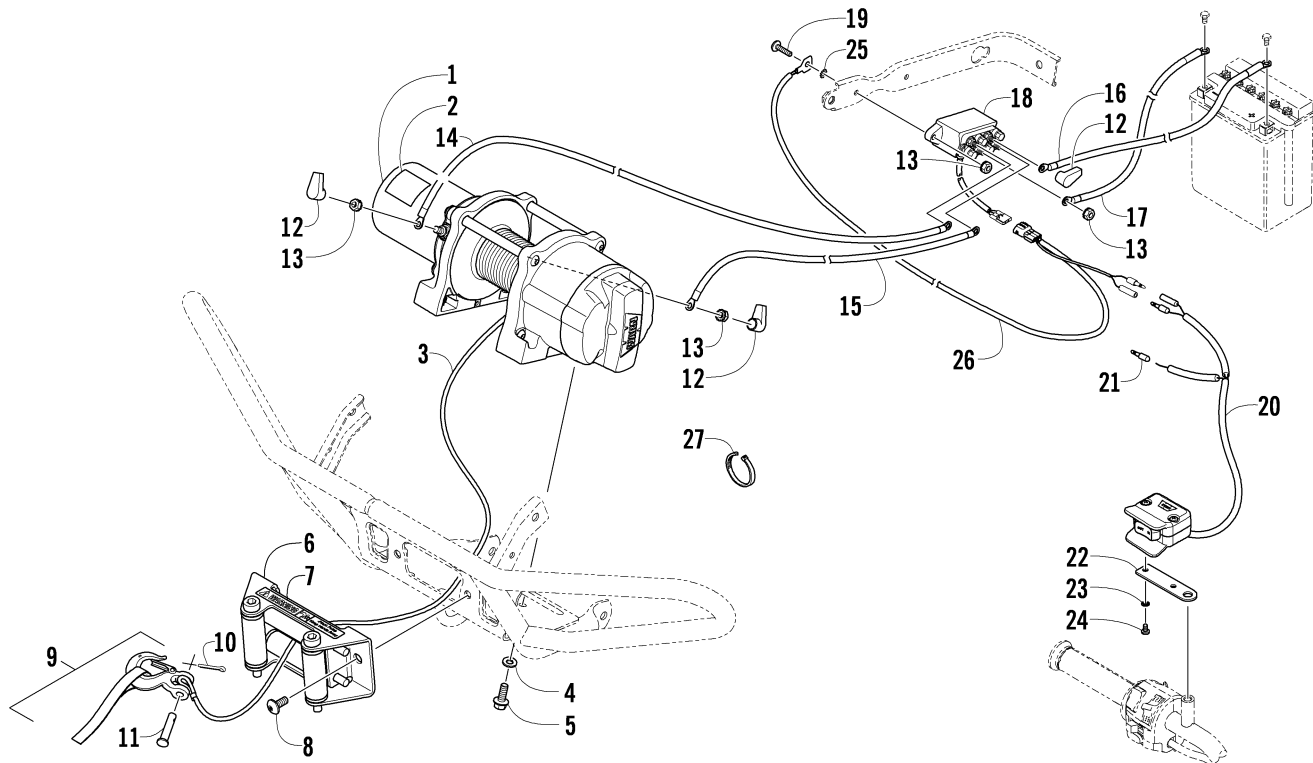
Ref	Part No.	New	Qty	Description	Ref	Part No.	New	Qty	Description
1	2506-125		1	Rack, Rear - Assembly (inc. 2-3)	16	1411-822		1	Decal, Side Fender - Rear - Right
2	0411-648		1	● Decal, Warning - Load	17	1411-823		1	Decal, Side Fender - Rear - Left
3	0441-592		4	● Bushing, Rack	18	1411-725		1	Decal, Rear
4	8410-830		4	Screw, Cap	19	0423-101		2	Screw, Shoulder
5	0423-669		4	Spacer	20	2506-450		1	Footwell - Right
6	0423-465		4	Grommet	21	1406-519		1	Footwell - Left
7	8432-802		4	Nut, Lock	22	0423-419		18	Screw, Machine
8	0423-654		2	Screw, Shoulder	23	1506-125		2	Footpeg
9	8050-222		2	Washer	24	0423-355		4	Screw, Shoulder
10	0423-540		26	Nut, Lock	25	8476-516		6	Screw, Machine
11	0411-965		2	Decal, "Speedrack"	26	0409-112		1	Bezel, Taillight - Right
12	2516-306		1	Panel, Fender - Rear - Metallic Cat Green	27	0409-113		1	Bezel, Taillight - Left
13	1411-592		1	Decal, Reflector - Right - Red	28	3313-392		1	Taillight Assembly - Right (inc. 26-27)
14	1411-593		1	Decal, Reflector - Left - Red		3313-393		1	Taillight Assembly - Left (inc. 26-27)
15	0470-658		1	Foil, Protective		26	3313-506	2	● Bulb, Turn Signal
15	2411-143	X	1	Decal, Warning - Tire Pressure		27	3303-849	2	● Bulb, Taillight
						28	3304-061	6	Clip, U-Nut



### FRAME AND RELATED PARTS

0745-004

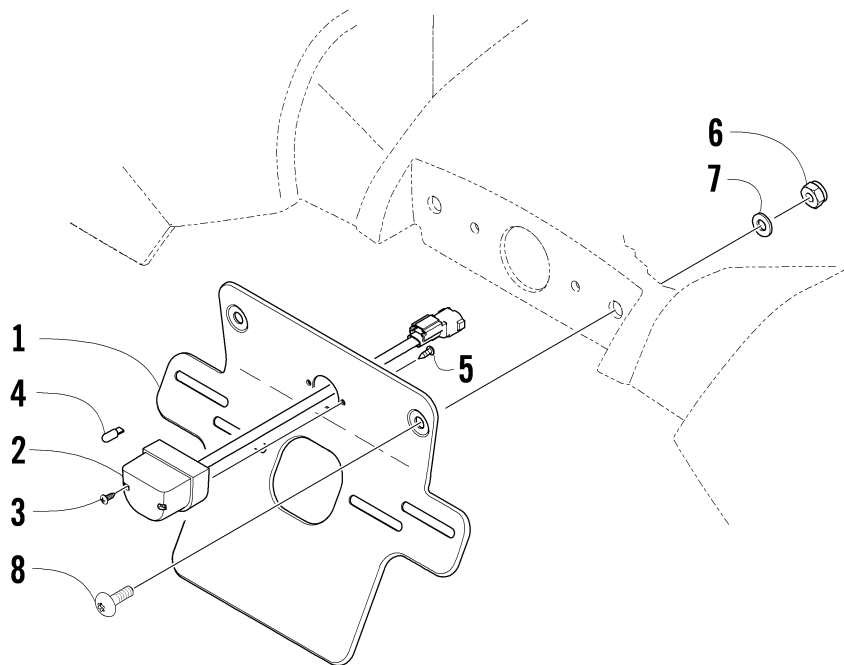
Ref	Part No.	New Qty	Description	Ref	Part No.	New Qty	Description
1	2506-094	1	Frame, Main	16	8424-802	4	Nut
2	8409-020	4	Screw, Cap	17	8409-016	4	Screw, Cap
3	2506-813	1	Channel, Mounting - Bumper - Right	18	2506-449	1	Footrest - Right
	2506-285	1	Channel, Mounting - Bumper - Left		1506-379	1	Footrest - Left
4	1506-562	1	Bracket, Mounting - Bumper - Right	19	2506-423	2	Rod, Support
	1506-563	1	Bracket, Mounting - Bumper - Left	20	1411-077	1	Decal, Warning - Towing
5	8408-816	6	Screw, Cap	21	0541-766	1	Mount, Ball Hitch (inc. 22-23)
6	1506-855	1	Bumper, Front	22	0423-690	1	● Nut, Lock
7	1406-360	1	Fascia, Bumper - Front	23	0423-693	1	● Screw, Cap
8	0423-419	2	Screw, Machine	24	8477-616	2	Screw, Machine
9	0423-101	12	Screw, Shoulder	25	8477-620	1	Screw, Machine
10	0423-744	2	Nut, Lock	26	2416-162	X	Bracket, Support - Right
11	1506-429	1	Brace, A-Arm		2416-163	X	Bracket, Support - Left
12	8409-025	2	Screw, Cap	27	0623-038	3	Nut w/Washer
13	2506-701	1	Pad, Foam	28	0430-053	1	Horn, Electric - 12V
14	0406-289	1	Pad, Foam	29	2406-231	1	Bracket, Mounting - Horn
15	2406-648	1	Panel, Belly				



## WINCH ASSEMBLY

0744-933

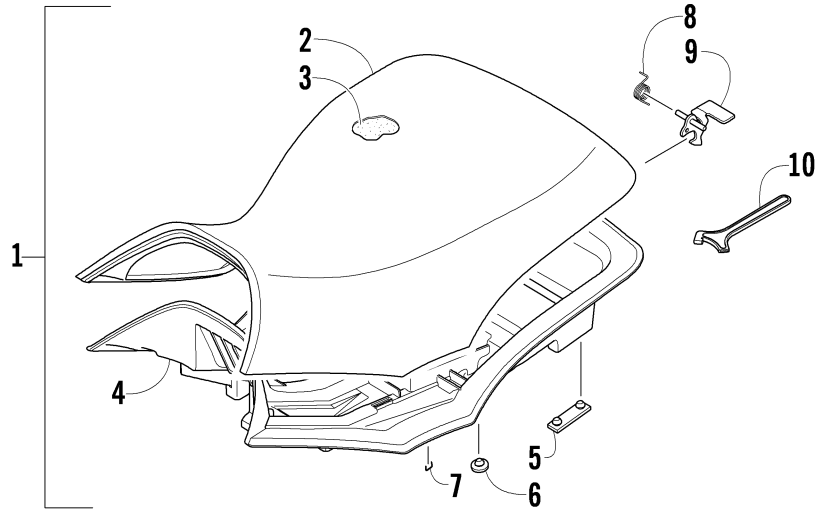
Ref	Part No.	New	Qty	Description	Ref	Part No.	New	Qty	Description
1	1411-657		1	Winch (inc. 2-3)	15	0445-069		1	Cable, Winch/Solenoid - Blue
2	1411-826		1	● Decal, Warning	16	0445-087	X	1	Cable, Solenoid/Battery - Red
3	0441-061		1	● Cable, Winch	17	1441-112		1	Cable, Solenoid/Battery - Black
4	8051-246		4	Washer, Lock	18	0409-066		1	Solenoid
5	8408-820		4	Screw, Cap	19	8476-625		2	Screw, Machine
6	0441-403		1	Roller, Winch (inc. 7)	20	0505-552		1	Switch, Winch - Assembly (inc. 21-26)
7	0411-474		1	● Decal, Warning - Pinch Point	21	1441-428		1	● Connector, Harness
8	8468-820		2	Screw, Machine	22	0505-551		1	● Bracket, Winch Switch
9	0541-760		1	Hook, Winch w/Strap	23	8052-093		2	● Washer, Internal Tooth Lock
10	1441-129		1	Pin, Cotter	24	8009-243		2	● Screw, Machine
11	1441-130		1	Pin	25	8053-212		1	● Washer, External Tooth Lock
12	0441-060		3	Boot, Terminal	26	0486-276		1	● Harness, Adapter - Solenoid
13	0623-038		6	Nut w/Washer	27	0123-788		AR	Tie, Cable - 8 in.
14	0445-068		1	Cable, Winch/Solenoid - Yellow		0123-903		AR	Tie, Cable - 11.5 in.



## LICENSE PLATE HOLDER ASSEMBLY

0743-236

Ref	Part No.	New Qty	Description	Ref	Part No.	New Qty	Description
1	2506-914	1	Mount, License Plate	5	0123-950	2	Screw, Self-Tapping
2	3304-772	1	Light, License Plate Assembly (inc. 3-4)	6	8432-802	2	Nut, Lock
3	-	2	● Screw, Self-Tapping - Not a Service Part	7	8050-247	2	Washer
4	3303-847	1	● Bulb	8	8468-820	2	Screw, Machine

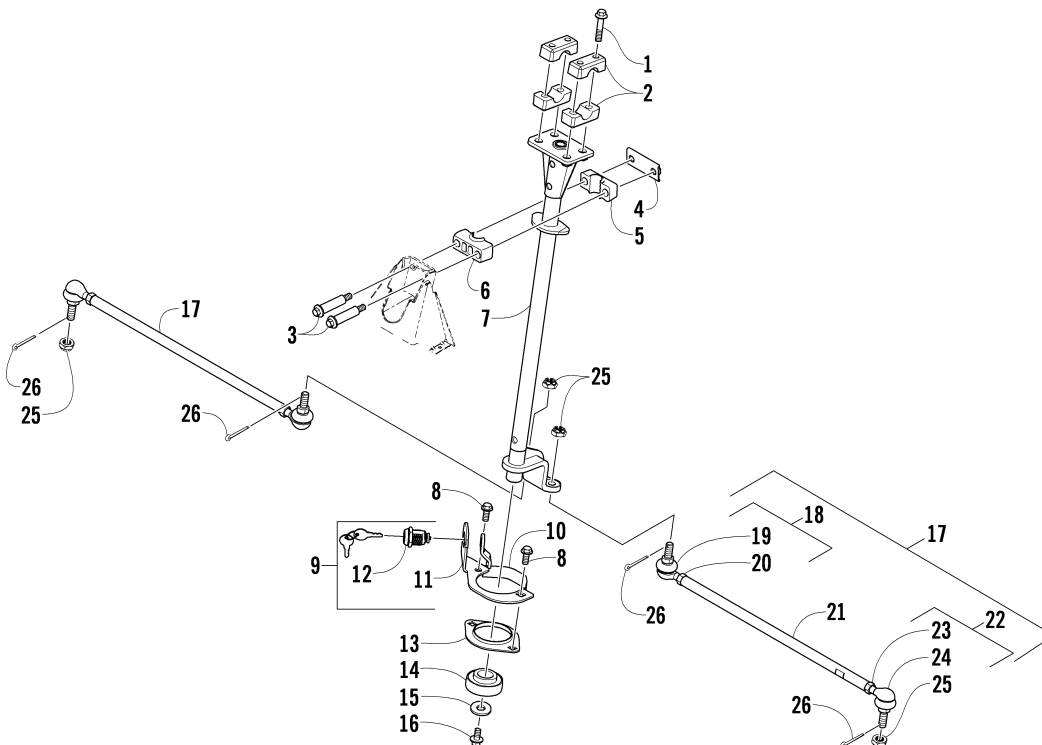


## SEAT ASSEMBLY

0744-453

Ref	Part No.	New Qty	Description	Ref	Part No.	New Qty	Description
1	2506-384	1	Seat Assembly (inc. 2-9)	6	0406-877	4	●● Bumper, Seat - Front
2	2506-756	1	● Cover, Seat	7	0624-528	AR	● Staple
3	2506-755	1	● Foam, Seat	8	1406-592	1	● Spring, Seat Latch
4	2406-525	1	● Base, Seat - Assembly (inc. 5-6)	9	1506-156	1	● Latch, Seat
5	0406-879	2	●● Bumper, Seat - Rear	10	0441-587	1	Wrench, Spanner

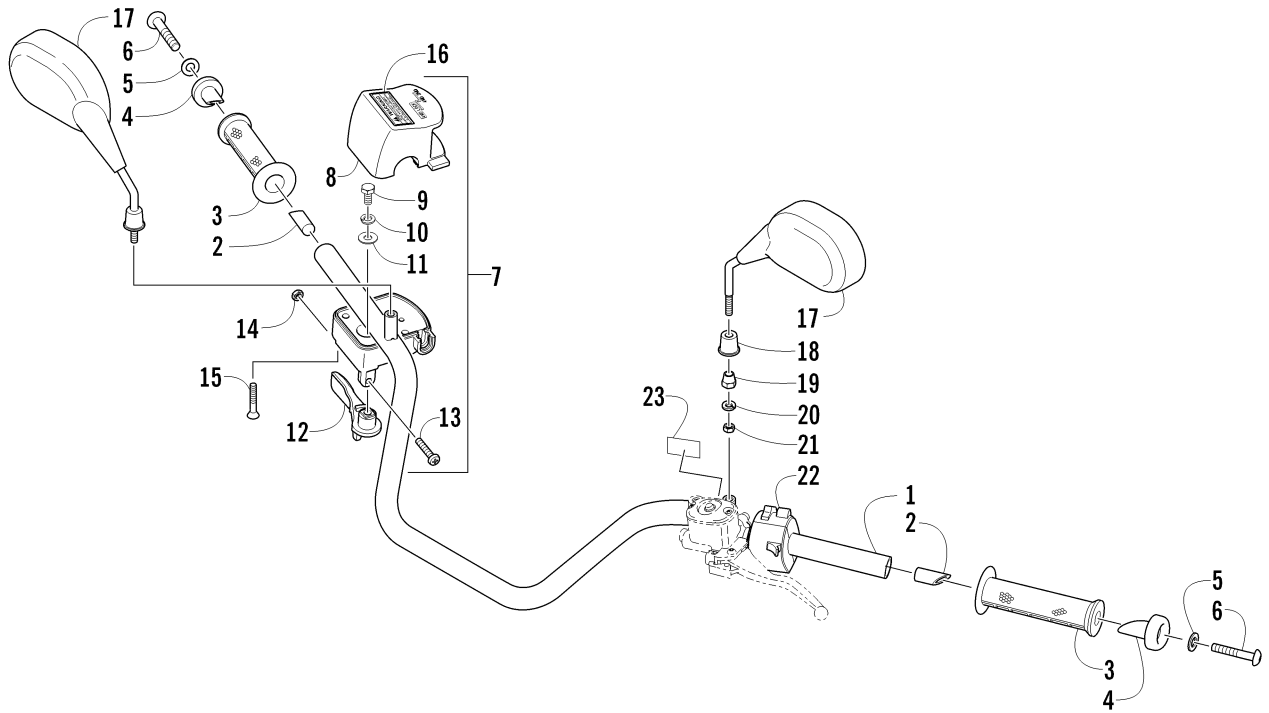




### STEERING ASSEMBLY

0743-209

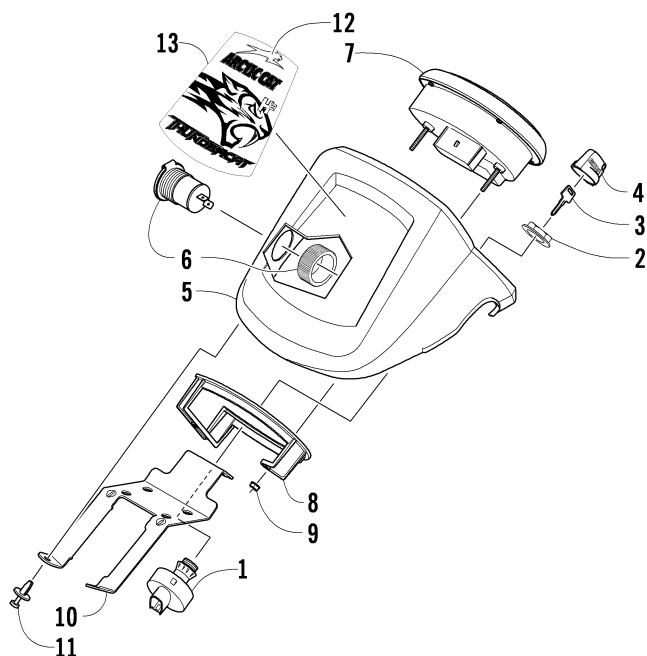
Ref	Part No.	New Qty	Description	Ref	Part No.	New Qty	Description
1	8408-860	4	Screw, Cap	16	8409-020	1	Screw, Cap
2	0405-035	4	Cap, Steering Adjuster	17	0505-499	2	Tie Rod - Assembly (inc. 18-24)
3	0423-505	2	Screw, Shoulder	18	0505-511	2	● End, Tie Rod - Left-Hand Thread - Kit (inc. 19-20)
4	0505-484	1	Cap, Housing	19	-	2	●● End, Tie Rod - Left-Hand Thread - Not a Service Part
5	0405-138	1	Housing, Lower	20	0423-013	2	●● Nut - Left-Hand Thread
6	0405-139	1	Housing, Upper	21	0405-281	2	● Tie Rod
7	0505-451	1	Post, Steering	22	0505-510	2	● End, Tie Rod - Right-Hand Thread - Kit (inc. 23-24)
8	8408-820	2	Screw, Cap	23	8420-002	2	●● Nut - Right-Hand Thread
9	2406-355	1	Steering Lock Assembly (inc. 10-12)	24	-	2	●● End, Tie Rod - Right-Hand Thread - Not a Service Part
10	2506-173	1	● Latch	25	0423-157	4	Nut, Lock
11	2406-349	1	● Bracket, Mounting - Lock	26	0623-175	4	Pin, Cotter
12	2406-354	1	● Lock				
13	0602-233	1	Flange, Bearing				
14	0405-052	1	Bearing w/Inverted Oil Seal				
15	0423-073	1	Washer				



## HANDLEBAR ASSEMBLY

0745-005

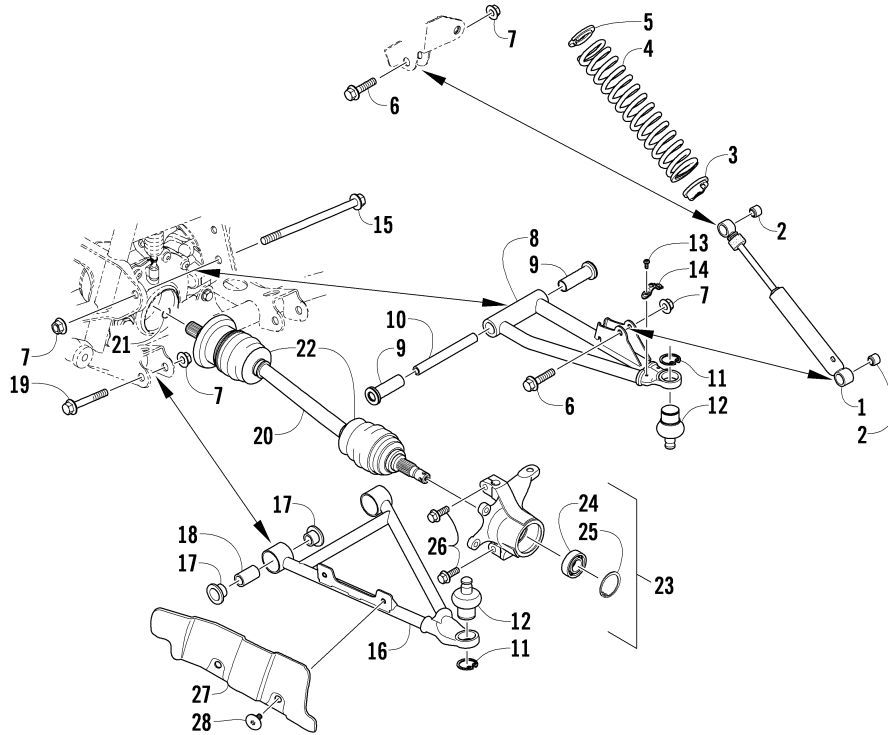
Ref	Part No.	New	Qty	Description	Ref	Part No.	New	Qty	Description
1	0505-522		1	Handlebar	13	3423-014		1	● Screw, Machine
2	0405-218		2	Plug, Handlebar	14	3423-327		1	● Nut
3	0405-147		2	Grip, Handlebar	15	3423-199		2	● Screw, Machine
4	0405-149		2	End Cap, Handlebar	16	0411-966		1	Decal, Warning - Differential Lock
5	8050-247		2	Washer	17	2406-630		1	Mirror - Right (inc. 18-21)
6	8477-845		2	Screw, Machine	2406-631			1	Mirror - Left (inc. 18-21)
7	0509-054	X	1	Case, Throttle - Assembly (inc. 8-15)	18	0423-985		2	● Cover
8	0409-141	X	1	● Cover, Throttle Case w/Switch	19	0423-986		2	● Nut, Adjuster
9	3007-392		1	● Screw, Cap	20	0423-987		2	● Washer, Lock
10	3004-447		1	● Washer, Lock	21	0423-988		2	● Nut
11	3003-030		1	● Washer	22	0509-014		1	Switch, Control - Assembly
12	0409-133	X	1	● Lever, Throttle	23	1411-865		1	Decal, Warning - Brake Lever Lock



## INSTRUMENT POD ASSEMBLY

0744-445

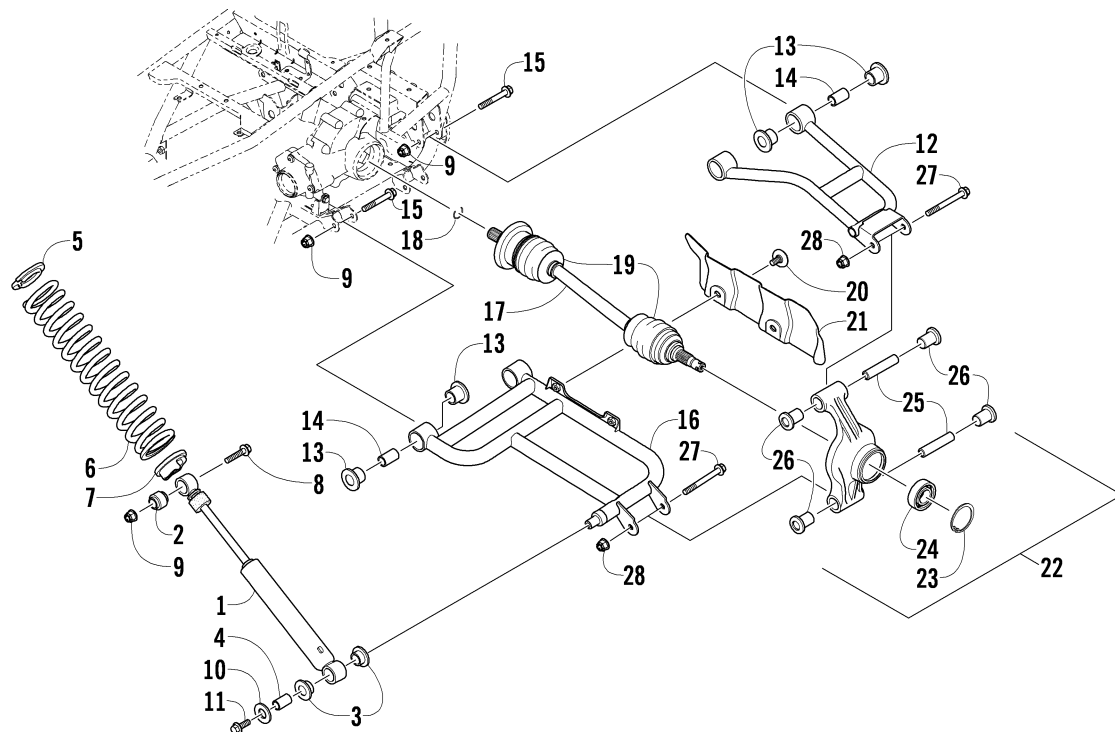
Ref	Part No.	New	Qty	Description	Ref	Part No.	New	Qty	Description
1	0430-090		1	Switch, Ignition - Assembly (inc. 2-4)	7	0520-087	X	1	Speedometer/Tachometer
2	0430-050		1	● Nut, Retaining	8	0420-065		1	Bracket, Retaining
3	0430-042		1	● Key, Ignition - Y Series - Left-Side Cut	9	0423-493		2	Nut w/Washer
	0430-043		1	● Key, Ignition - Z Series - Right-Side Cut	10	2506-470		1	Bracket, Mounting - Instrument Pod
4	0430-054		1	● Cover, Key	11	0423-535		2	Rivet, Reinstallable
5	0505-589	X	1	Instrument Pod - Metallic Cat Green	12	8611-267		1	Decal, Aircat
6	0641-897		1	Outlet, Accessory - 12V	13	2411-073	X	1	Decal, Instrument Pod



## FRONT SUSPENSION ASSEMBLY

0744-483

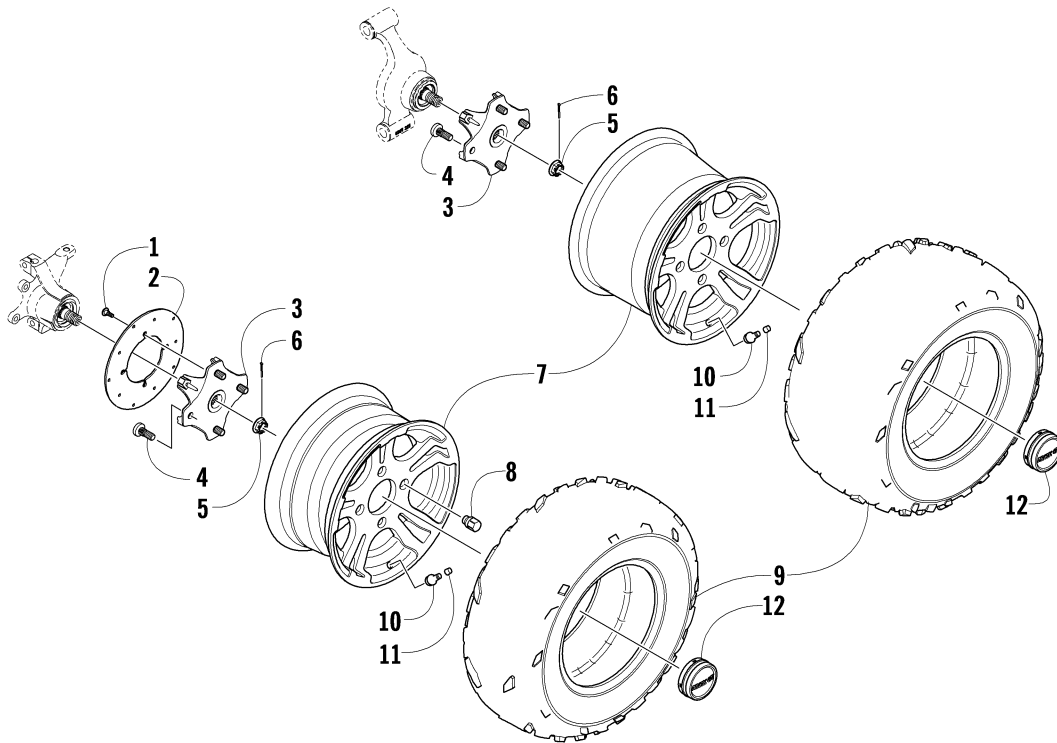
Ref	Part No.	New	Qty	Description	Ref	Part No.	New	Qty	Description
1	0403-188		2	Shock Absorber (inc. 2)	17	0403-208	X	8	● Bushing
2	0403-182		4	● Bushing	18	0403-214	X	4	● Axle
3	0403-102		2	Cam, Spring Adjuster	19	8409-075		4	Screw, Cap
4	0503-354		2	Spring, Suspension - Platinum	20	1502-344		1	Axle, Drive - Front - Right (inc. 21-22)
5	1603-889		2	Retainer, Spring	21	1502-345		1	Axle, Drive - Front - Left (inc. 21-22)
6	8409-040		4	Screw, Cap	22	0423-844		2	● Ring, Retaining
7	0423-744		10	Nut, Lock	23	0436-276		2	● Repair Kit, Boot - Front Axle
8	0503-428	X	1	A-Arm, Upper Right - Platinum (inc. 9-12)	24	0505-578		1	Knuckle - Assembly - Right (inc. 24-25)
	0503-429	X	1	A-Arm, Upper Left - Platinum (inc. 9-12)	25	0505-579		1	Knuckle - Assembly - Left (inc. 24-25)
9	0403-207	X	4	● Bushing	26	1402-809		2	● Bearing
10	0403-080		2	● Axle	27	0423-423		2	● Ring, Retaining
11	0423-009		4	● Ring, Retaining	28	8409-030		4	Screw, Cap
12	0405-115		4	● Ball Joint		1406-034		1	Guard, Boot - Right - Black
13	0423-946	X	4	Screw, Self-Tapping		1406-035		1	Guard, Boot - Left - Black
14	1502-594	X	2	Clamp, Routing		0423-545		4	Screw, Shoulder
15	0423-334		2	Screw, Cap					
16	0503-380		1	A-Arm, Lower Right - Platinum (inc. 17-18 and one No. 11-12)					
	0503-381		1	A-Arm, Lower Left - Platinum (inc. 17-18 and one No. 11-12)					



## REAR SUSPENSION ASSEMBLY

0744-446

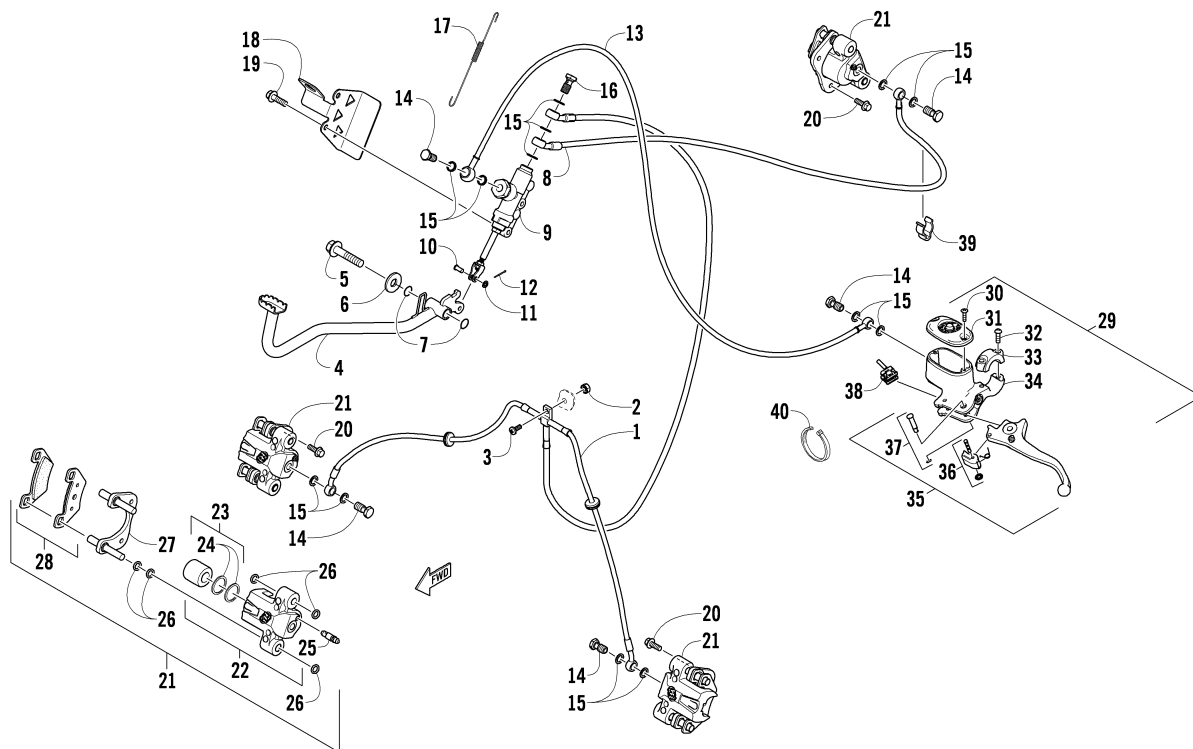
Ref	Part No.	New	Qty	Description	Ref	Part No.	New	Qty	Description
1	0404-158		2	Shock Absorber (inc. 2-4)	16	0504-576		1	A-Arm, Rear - Lower Right - Platinum (inc. 13-14)
2	0403-182		2	● Bushing		0504-577		1	A-Arm, Rear - Lower Left - Platinum (inc. 13-14)
3	0603-955		4	● Bushing	17	1502-343		2	Axle, Drive (inc. 18-19)
4	1603-219		2	● Sleeve	18	0423-845		2	● Ring, Retaining
5	1603-889		2	Retainer, Spring	19	0436-276		2	● Repair Kit, Boot - Rear Axle
6	0504-538		2	Spring, Suspension - Platinum	20	0423-545		4	Screw, Shoulder
7	0404-057		2	Cam, Spring Adjuster	21	1406-068		1	Guard, Boot - Right - Black
8	8409-040		1	Screw, Cap - Right		1406-069		1	Guard, Boot - Left - Black
	8409-050		1	Screw, Cap - Left	22	0504-630		1	Knuckle, Right Rear - Assembly (inc. 23-26)
9	0423-744		10	Nut, Lock		0504-551		1	Knuckle, Left Rear - Assembly (inc. 23-26)
10	0423-087		2	Washer	23	0423-423		2	● Ring, Retaining
11	8408-820		2	Screw, Cap	24	1402-809		2	● Bearing
12	0504-586		1	A-Arm, Rear - Upper Right - Platinum (inc. 13-14)	25	0403-213	X	4	● Axle
	0504-587		1	A-Arm, Rear - Upper Left - Platinum (inc. 13-14)	26	0403-206	X	8	● Bushing
13	0403-208	X	16	● Bushing	27	8409-000		4	Screw, Cap
14	0403-214	X	8	● Axle	28	8428-002		4	Nut, Lock
15	8409-075		8	Screw, Cap					



## WHEEL AND TIRE ASSEMBLY

0743-839

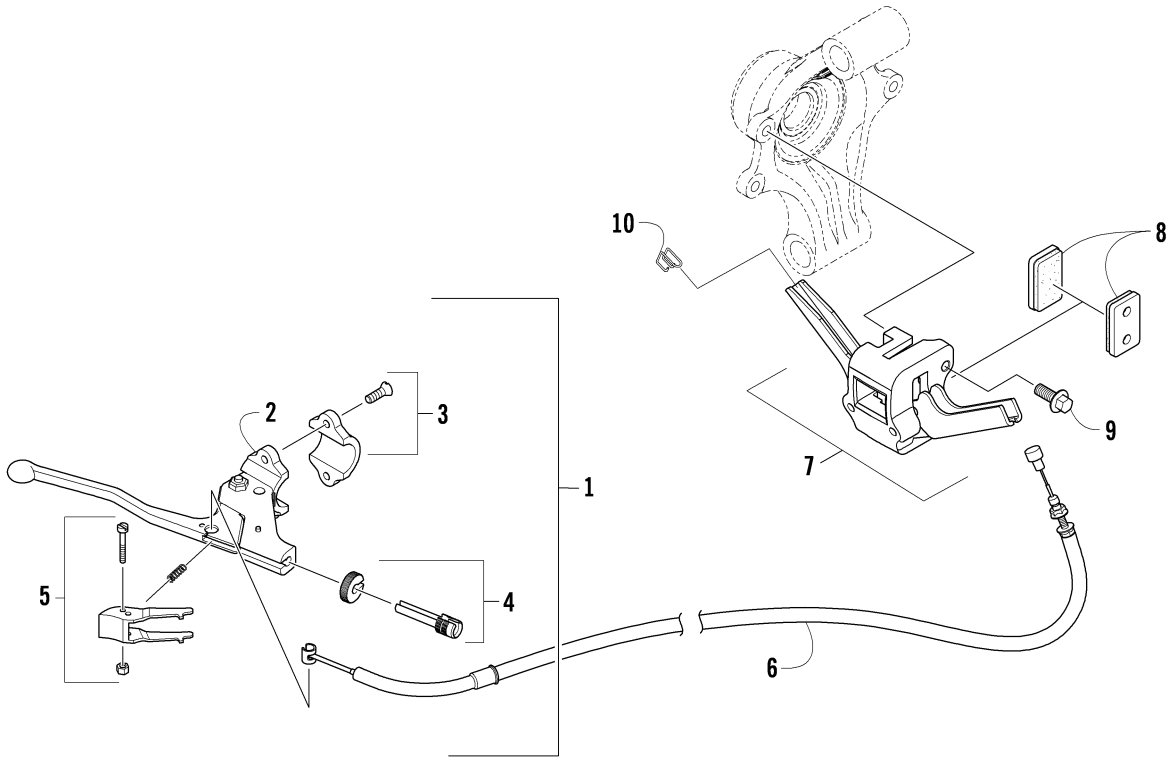
Ref	Part No.	New Qty	Description	Ref	Part No.	New Qty	Description
1	0423-557	12	Screw, Shoulder	8	0423-618	16	Nut, Lug - Chrome
2	1436-164	3	Disc, Brake	9	1402-858	2	Tire - Front
3	1502-437	4	Hub, Wheel (inc. 4)		1402-859	2	Tire - Rear
4	0402-974	16	● Stud	10	0402-064	4	Stem, Valve (inc. 11)
5	0423-607	4	Nut, Castle	11	0402-140	4	● Cap, Valve Stem
6	0423-407	4	Pin, Cotter	12	1402-736	4	Cap, Wheel
7	1402-730	2	Wheel - Front				
	1402-731	2	Wheel - Rear				



## HYDRAULIC BRAKE ASSEMBLY

0745-015

Ref	Part No.	New Qty	Description	Ref	Part No.	New Qty	Description
1	1502-148	1	Hose, Brake - Assembly	22	1436-160	1	● Housing, Caliper - Assembly - Right Front (inc. two No. 20 and 23-25)
2	0623-038	1	Nut w/Washer		1436-161	1	● Housing, Caliper - Assembly - Left Front (inc. two No. 20 and 23-25)
3	8476-625	1	Screw, Machine		1436-161	1	● Housing, Caliper - Assembly - Rear (inc. two No. 20 and 23-25)
4	1502-162	1	Lever, Brake	23	0502-606	3	●● Piston/Seal Set (inc. 24)
5	8408-816	1	Screw, Cap	24	0502-607	3	●●● Seal Set
6	8050-252	1	Washer	25	0502-609	3	●● Valve, Bleed
7	1602-213	2	O-Ring	26	0502-608	3	● O-Ring, Guide - Set
8	1402-592	1	Hose, Brake	27	0502-605	3	● Bracket Assembly
9	1502-147	1	Brake Assembly	28	1502-694	X 3	● Pad, Brake - Set
10	1402-377	1	Pin, Clevis	29	0502-914	1	Brake Assembly (inc. 30-38)
11	8050-217	1	Washer	30	0502-566	1	● Screw, Machine - Kit
12	0117-868	1	Pin, Cotter	31	0502-868	1	● Cover, Reservoir
13	1402-594	1	Hose, Brake	32	0502-568	1	● Screw, Machine - Kit
14	0423-413	5	Bolt, Banjo-Fitting	33	0502-869	1	● Clamp, Master Cylinder
15	0423-178	13	Washer, Crush	34	0502-704	1	● Master Cylinder Assembly
16	0423-610	1	Bolt, Banjo-Fitting - Double	35	0502-866	1	● Lever Assembly - Kit (inc. 36-37)
17	0502-785	1	Spring, Brake Switch	36	0502-867	1	●● Lock, Brake Lever - Kit
18	1502-164	1	Bracket, Switch	37	0502-580	1	●● Lever Pin - Kit
19	8408-625	2	Screw, Cap	38	0502-564	1	● Switch, Brake
20	8408-821	6	Screw, Cap	39	1502-115	2	Clip, Brake Hose
21	1502-726	X 1	Caliper, Brake - Right Front (inc. two No. 20 and 22-28)	40	0123-788	AR	Tie, Cable - 8 in.
	1502-727	X 1	Caliper, Brake - Left Front (inc. two No. 20 and 22-28)				
	1502-727	X 1	Caliper, Brake - Rear (inc. two No. 20 and 22-28)				

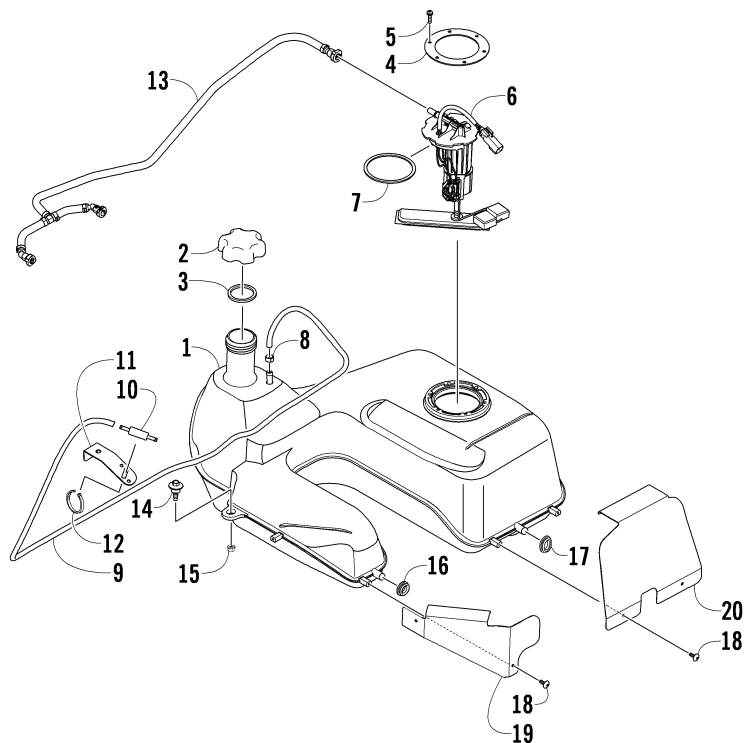


## PARKING BRAKE ASSEMBLY

0743-214

Ref	Part No.	New Qty	Description	Ref	Part No.	New Qty	Description
1	1502-278	1	Lever, Parking Brake - Assembly (inc. 2-6)	6	0487-055	1	● Cable, Brake - Rear
2	1502-429	1	● Lever, Parking Brake - Kit	7	1502-176	1	Mechanical Brake Assembly
3	1502-432	1	● Clamp, Handlebar - Kit	8	1402-602	2	Pad, Brake
4	1502-430	1	● Adjuster, Thumb Nut - Kit	9	8408-826	2	Screw, Cap
5	1502-431	1	● Lock, Parking Brake Lever - Kit	10	0402-379	1	Wire Form, Cable

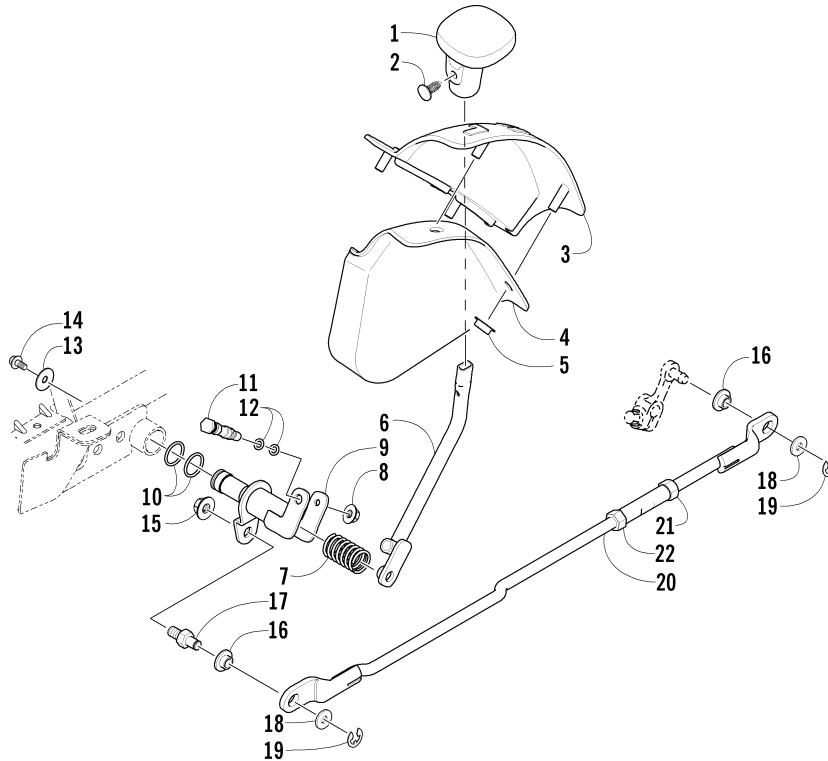




### GAS TANK ASSEMBLY

0744-448

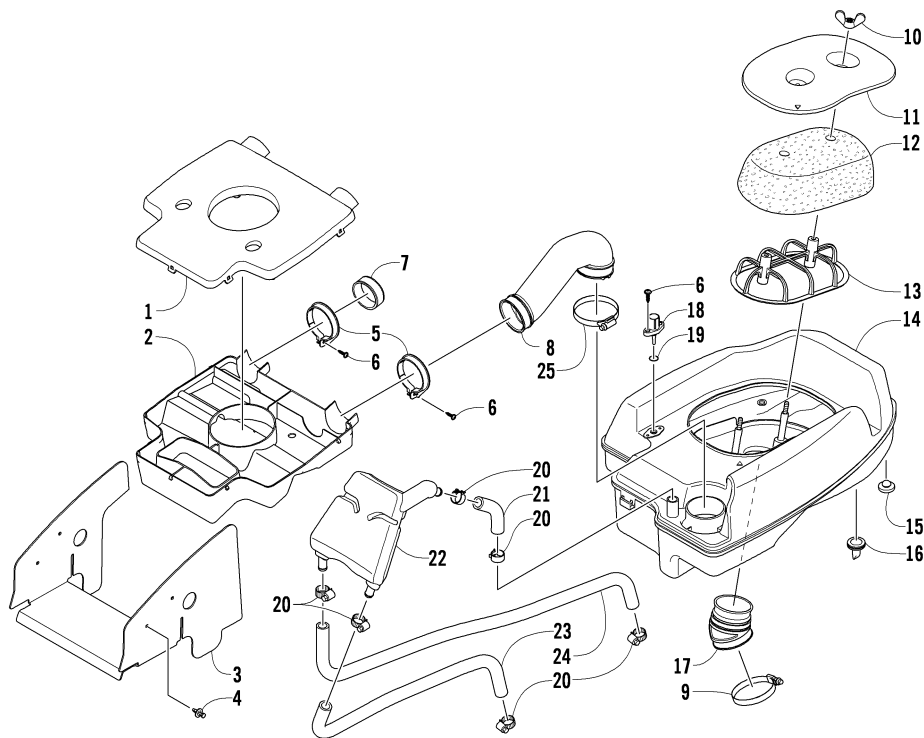
Ref	Part No.	New	Qty	Description	Ref	Part No.	New	Qty	Description
1	0570-307	X	1	Tank, Gas - Assembly (inc. 2-5)	11	0470-827		1	Bracket, Filter Mounting
2	0470-438		1	● Cap, Gas Tank (inc. 3)	12	0123-788	AR		Tie, Cable - 8 in.
3	0109-733		1	●● Gasket, Gas Tank Cap	13	0570-278	X	1	Hose, Fuel - Assembly
4	2670-042	X	1	● Plate, Retaining	14	0423-732		2	Screw, Shoulder
5	0423-898	X	6	● Screw, Self-Tapping	15	0623-038		1	Nut w/Washer
6	0570-322	X	1	Pump, Fuel - Assembly (inc. 7)	16	0423-460		1	Grommet
7	0470-838	X	1	● Seal	17	0423-806		1	Grommet
8	0423-688		1	Clamp, Hose	18	0623-797		4	Screw, Self-Tapping
9	0410-070	AR		Hose, Gasline - 25 ft	19	0470-709		1	Shield, Heat - Gas Tank - Front
10	0510-335		1	Filter, In-Line	20	0470-710		1	Shield, Heat - Gas Tank - Rear



### SHIFT LEVER ASSEMBLY

0742-964

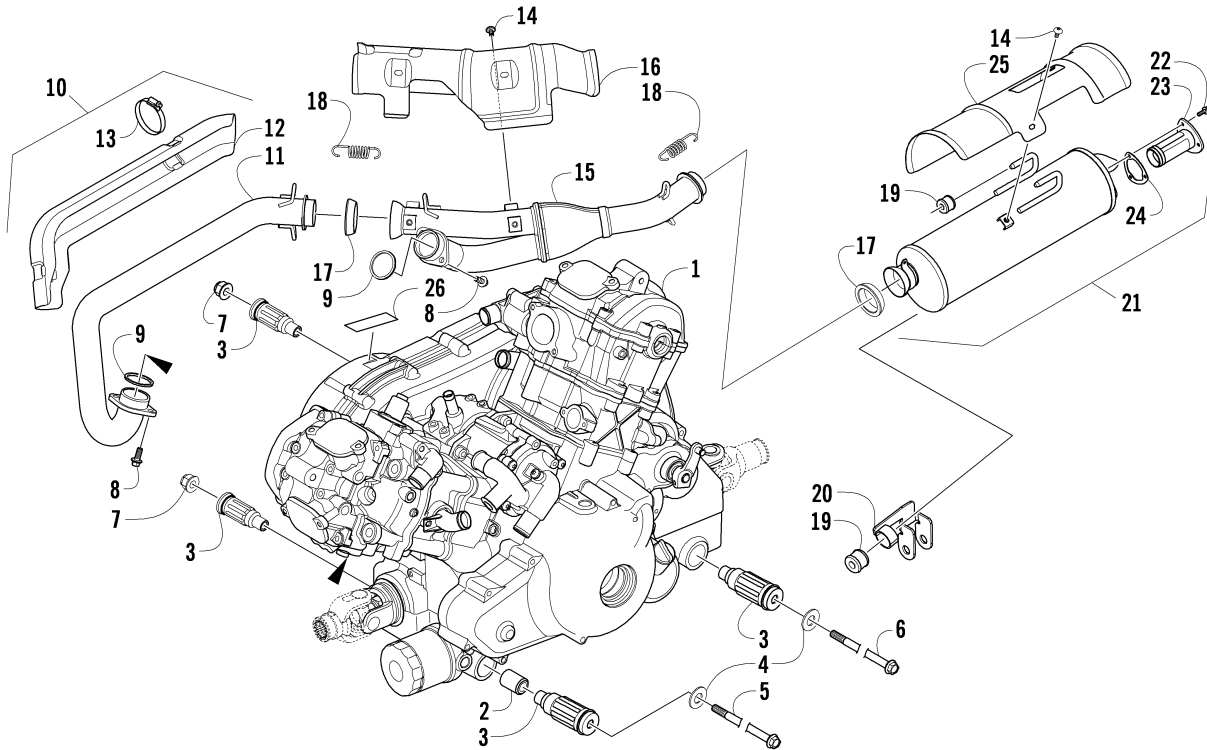
Ref	Part No.	New Qty	Description	Ref	Part No.	New Qty	Description
1	0402-843	1	Knob, Shift	12	0423-182	2	O-Ring
2	0423-345	1	Clip, Retaining	13	0423-087	1	Washer
3	1402-576	1	Plate, Shift	14	8408-812	1	Screw, Cap
4	2406-345	1	Shield, Shift Plate	15	8424-802	1	Nut
5	0423-357	4	Nut, Stamped	16	0423-091	2	Bushing
6	0502-659	1	Lever, Shift	17	1402-621	1	Pin, Mounting - Shift Linkage
7	0402-678	1	Spring, Shift Lever	18	0623-094	2	Washer
8	8424-602	1	Nut	19	0423-169	2	E-Ring
9	1502-332	1	Actuator, Shift Lever	20	1502-227	1	Linkage, Shift - Assembly (inc. 21-22)
10	0423-299	2	O-Ring	21	0623-294	1	● Nut, Hex - Right-Hand Thread
11	0402-675	1	Axle, Pivot	22	0123-917	1	● Nut, Hex - Left-Hand Thread



## AIR INTAKE ASSEMBLY

0744-449

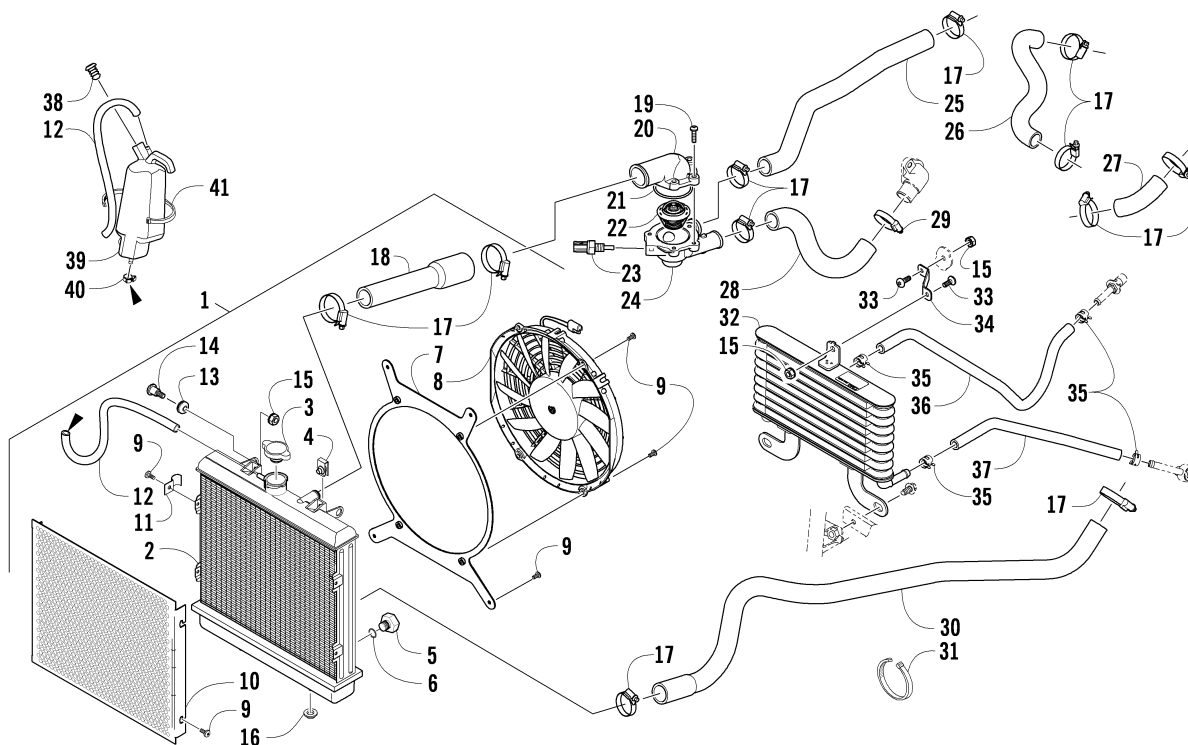
Ref	Part No.	New Qty	Description	Ref	Part No.	New Qty	Description
1	0413-091	1	Diverter, Air - Top	14	0570-221	1	Housing, Air Intake
2	0413-093	1	Diverter, Air - Bottom	15	0406-877	4	Bumper
3	2406-509	1	Shroud, Splash	16	0470-442	2	Valve, Drain
4	0623-362	2	Rivet, Reinstallable	17	0470-638	1	Boot, Throttle Body
5	0423-551	2	Clamp	18	0430-055	1	Sensor, Air Temperature (inc. 19)
6	0423-342	4	Screw, Self-Tapping	19	5507-224	1	● O-Ring
7	0413-096	1	Cap, Air Intake - Diverter	20	0623-028	6	Clamp, Hose
8	0470-583	1	Boot, Air Intake	21	0410-198	X	Hose, Separator Tank
9	0423-019	1	Clamp	22	0470-718	1	Tank, Separator
10	0423-716	2	Wing Nut	23	0410-196	X	Hose, Crankcase
11	0470-832	1	Cover, Air Intake	24	0410-197	X	Hose, Crankcase
12	0470-828	1	Filter, Air	25	0423-066	1	Clamp, Hose
13	0470-731	1	Support, Air Filter				



## ENGINE AND EXHAUST

0742-236

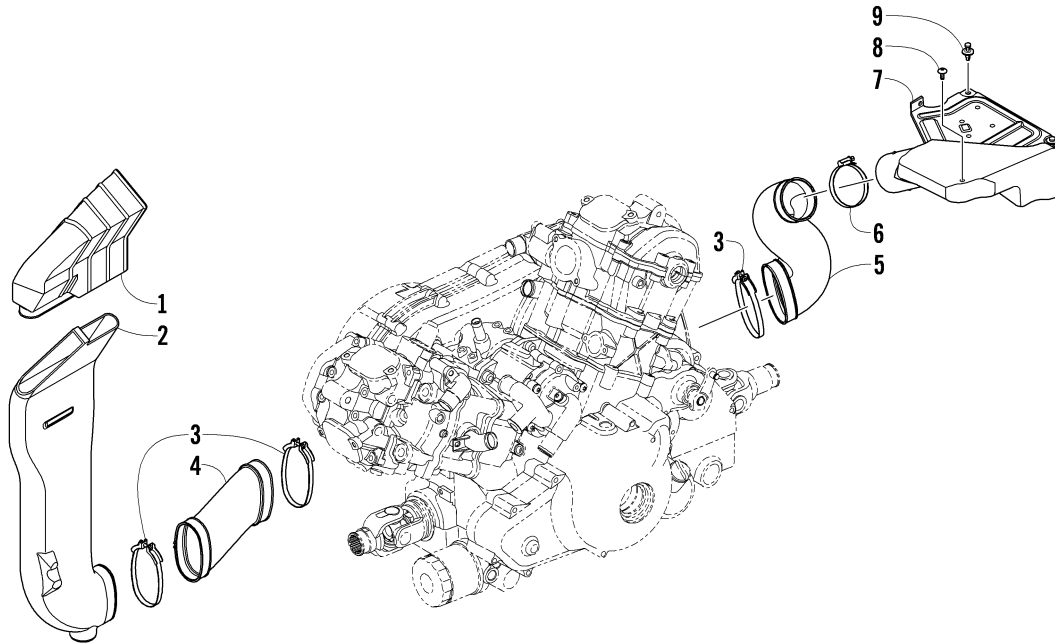
Ref	Part No.	New	Qty	Description	Ref	Part No.	New	Qty	Description
1	0800-085	X	1	Engine, A950C (inc. 2-3)	14	8477-610		7	Screw, Machine
2	0801-128		1	● Spacer, Engine Mount	15	0512-477		1	Pipe, Exhaust - Rear
3	0801-091		4	● Mount, Engine	16	0412-403		1	Shield, Exhaust Pipe - Rear
4	0423-426		2	Washer	17	0412-375		2	Seal, Exhaust Pipe
5	0423-734		1	Screw, Cap	18	0612-668		4	Spring, Extension
6	0423-451		1	Screw, Cap	19	0412-215		3	Bushing
7	8428-002		2	Nut, Lock	20	2506-631		1	Channel, Muffler Support
8	8408-820		4	Screw, Cap	21	0512-355		1	Muffler - Assembly (inc. 22-24)
9	0412-338		2	Gasket, Exhaust Pipe	22	8408-616		3	● Screw, Cap
10	0512-433		1	Pipe, Exhaust - Assembly (inc. 11-13)	23	0512-219		1	● Arrester, Spark - Assembly
11	0512-349		1	● Pipe, Exhaust	24	0412-313		1	● Gasket, Spark Arrester
12	0412-400		1	● Shield, Exhaust Pipe	25	0412-373		1	Cover, Muffler
13	0423-317		2	● Clamp	26	0411-426		1	Decal, Warning - Clutch Cover



## COOLING ASSEMBLY

0745-017

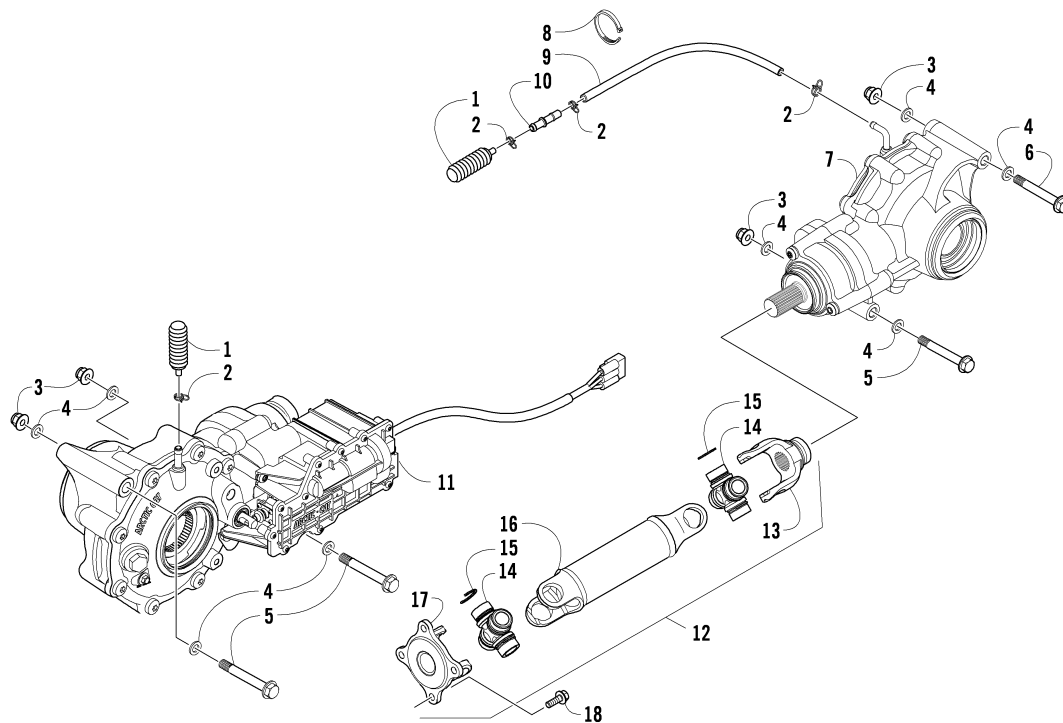
Ref	Part No.	New	Qty	Description	Ref	Part No.	New	Qty	Description
1	0413-258	X	1	Radiator Assembly (inc. 2-13)	21	0830-173		1	O-Ring
2	0413-216		1	● Radiator	22	0808-093		1	Thermostat
3	0413-255	X	1	● Cap, Radiator	23	0808-124		1	Sensor, Engine Coolant Temperature
4	1623-637		4	● Clip, U-Nut	24	0808-189	X	1	Housing, Thermostat
5	0413-195		1	● Plug, Drain	25	0410-195	X	1	Hose, Coolant - No. 2
6	1602-213		1	● O-Ring	26	0410-116		1	Hose, Coolant
7	0413-217		1	● Bracket, Mounting - Fan	27	0410-115		1	Hose, Coolant - Crossover
8	0413-123		1	● Fan, Cooling	28	0410-117		1	Hose, Coolant - No. 1
9	8470-510		12	● Screw, Machine	29	1623-093		1	Clamp, Hose
10	0413-214		1	● Screen, Radiator	30	0410-119		1	Hose, Coolant - Lower
11	0423-351		1	● Clamp, Wire	31	0623-751	AR		Tie, Cable - 11.5 in.
12	0610-011	AR		● Hose - 25 ft	32	0413-211		1	Cooler, Oil
13	0423-030		2	● Grommet	33	8476-612		2	Screw, Machine
14	0423-484		2	Screw, Shoulder	34	0513-022		1	Bracket, Mounting - Oil Cooler - Upper
15	0623-038		4	Nut w/Washer	35	0423-632		4	Clamp, Hose
16	0423-028		2	Bushing, Stem	36	0410-149		1	Hose, Oil Cooler - In
17	0423-496		11	Clamp, Hose	37	0410-168		1	Hose, Oil Cooler - Out
18	0410-120		1	Hose, Coolant - Radiator/Thermostat - Upper	38	0413-087		1	Plug
19	8470-520		4	Screw, Machine	39	0413-086		1	Bottle, Overflow
20	0808-092		1	Cover, Thermostat	40	0124-045		1	Clamp, Hose
					41	0623-316	AR		Tie, Cable - 14 in.



## CASE/BELT COOLING ASSEMBLY

0744-451

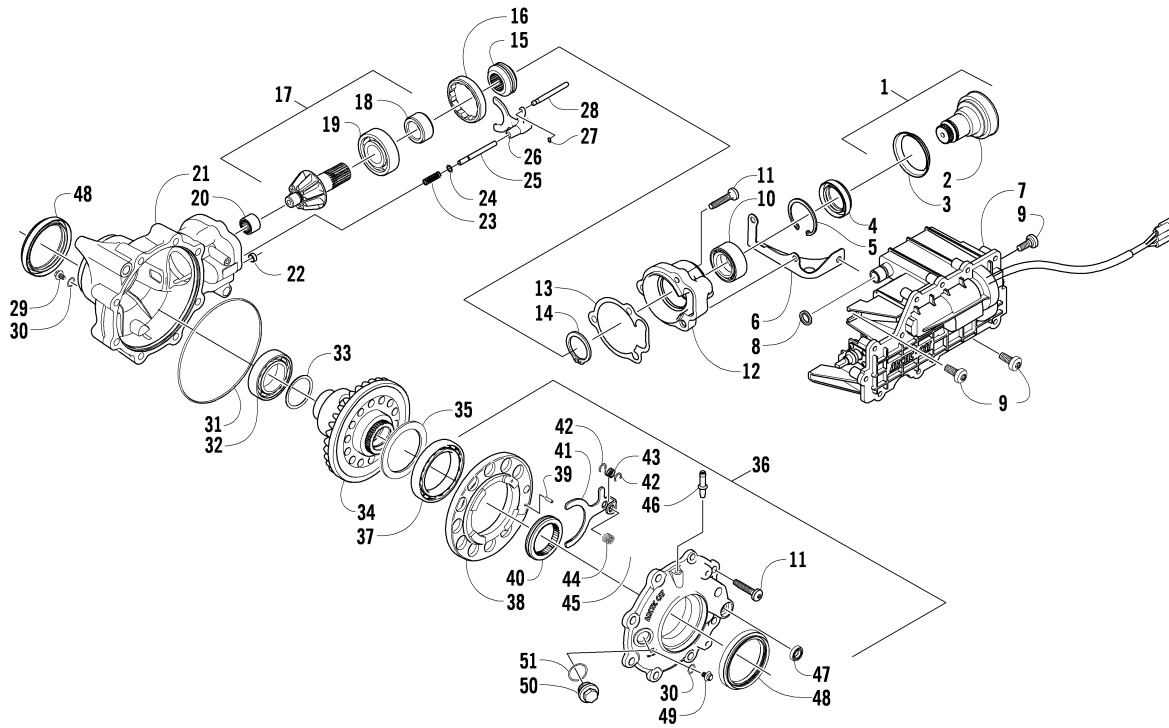
Ref	Part No.	New Qty	Description	Ref	Part No.	New Qty	Description
1	0413-137	1	Shroud, Air - Air In	6	0423-019	1	Clamp
2	0413-138	1	Duct, Cooling - Air In	7	0413-194	1	Duct, Cooling - Air Out
3	0423-730	3	Clamp	8	0623-797	1	Screw, Self-Tapping
4	0413-139	1	Boot, Cooling - Air In	9	0623-362	2	Rivet, Reinstallable
5	0413-135	1	Boot, Cooling - Air Out				



## DRIVE TRAIN ASSEMBLY

0744-087

Ref	Part No.	New Qty	Description	Ref	Part No.	New Qty	Description
1	1402-620	2	Bladder, Gearcase	10	0470-702	1	Fitting, Vent
2	0423-315	4	Clamp, Hose	11	1502-395	1	Gearcase, Front
3	8428-002	4	Nut, Lock	12	1502-098	1	Driveshaft, Rear - Assembly (inc. 13-17)
4	0423-426	8	Washer	13	1402-567	1	● Yoke, Slip
5	0423-404	3	Screw, Cap	14	0402-944	2	● Joint, Universal (inc.15)
6	0423-830	1	Screw, Cap	15	0423-395	8	●● Ring, Retaining
7	1502-403	1	Gearcase, Rear	16	1502-099	1	● Driveshaft, Rear
8	0123-788	AR	Tie, Cable - 8 in.	17	1402-689	1	● Yoke, Flange
9	0410-048	AR	Hose, Vent - 25 ft	18	8408-820	4	Screw, Cap

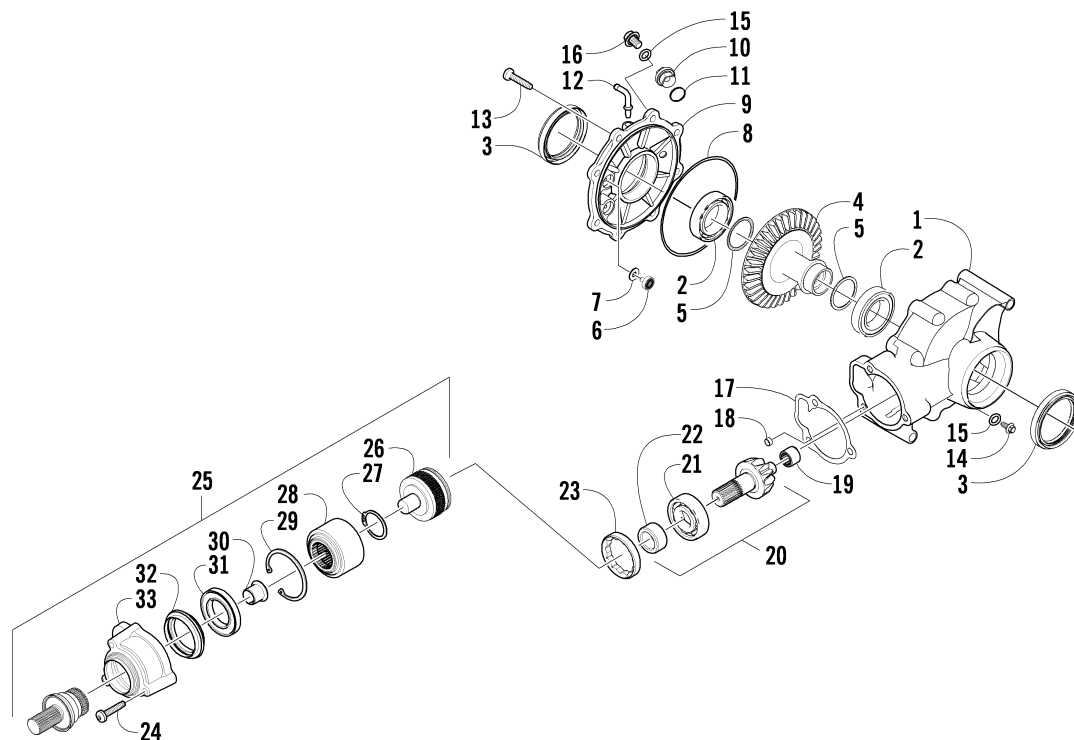


## FRONT DRIVE GEARCASE ASSEMBLY

0743-254

Ref	Part No.	New	Qty	Description	Ref	Part No.	New	Qty	Description
-	1502-395		1	Complete Front Drive Gearcase Assembly	30	0423-153		2	● O-Ring
1	0502-923		1	Shaft, Propeller - Assembly (inc. 2-3)	31	0423-149		1	O-Ring
2	1402-438		1	● Shaft, Input	32	0402-393		1	Bearing
3	1402-168		1	● Deflector	33	0402-405		AR	Shim
4	1402-011		1	Seal		0402-406		AR	Shim
5	0423-423		1	Ring, Retaining		0402-407		AR	Shim
6	1502-237		1	Bracket, Actuator		0402-408		AR	Shim
7	0502-585		1	Actuator		0402-409		AR	Shim
8	0423-892		1	O-Ring	34	1502-554		1	Gear, Ring - 34T
9	0423-396		3	Screw, Self-Tapping	35	1402-074		AR	Shim
10	1402-043		1	Bearing		1402-075		AR	Shim
11	0423-118		11	Screw, Self-Tapping		1402-076		AR	Shim
12	0502-528		1	Housing, Pinion		1402-077		AR	Shim
13	0402-947		1	Gasket		1402-078		AR	Shim
14	0423-417		1	Ring, Retaining	36	1502-389		1	Cover, Gearcase (inc. one No. 30 and 37-49)
15	0402-413		1	Coupler, Drive	37	1402-053		1	● Bearing
16	0402-357		1	Collar, Lock	38	0502-413		1	● Flange, Bearing
17	0502-784		1	Gear, Pinion - Assembly - 11T (inc. 18-19)	39	1402-079		1	● Pin, Alignment
18	0402-336		1	● Collar, Retaining	40	1402-042		1	● Collar, Sliding
19	0402-327		1	● Bearing	41	1402-054		1	● Fork
20	0402-328		1	Bearing	42	1402-058		2	● Ring, Retaining
21	0502-514		1	Housing, Gearcase	43	1402-057		1	● Spring
22	0402-411		1	Pin, Dowel	44	1402-063		1	● Spring
23	0402-999		1	Spring, Return	45	1402-656		1	● Shaft, Lock
24	0423-147		1	O-Ring	46	1402-104		1	● Fitting
25	0402-417		1	Shaft, Shuttle	47	1402-056		1	● Seal
26	0402-998		1	Fork, Selector	48	1402-713		2	● Seal
27	0423-402		1	Ring, Retaining	49	1402-211		1	● Plug, Oil Level (inc. one No. 30)
28	0402-997		1	Shaft, Selector	50	0402-333		1	Plug, Fill (inc. 51)
29	1402-210		1	Plug, Magnetic (inc. one No. 30)	51	0423-154		1	● O-Ring

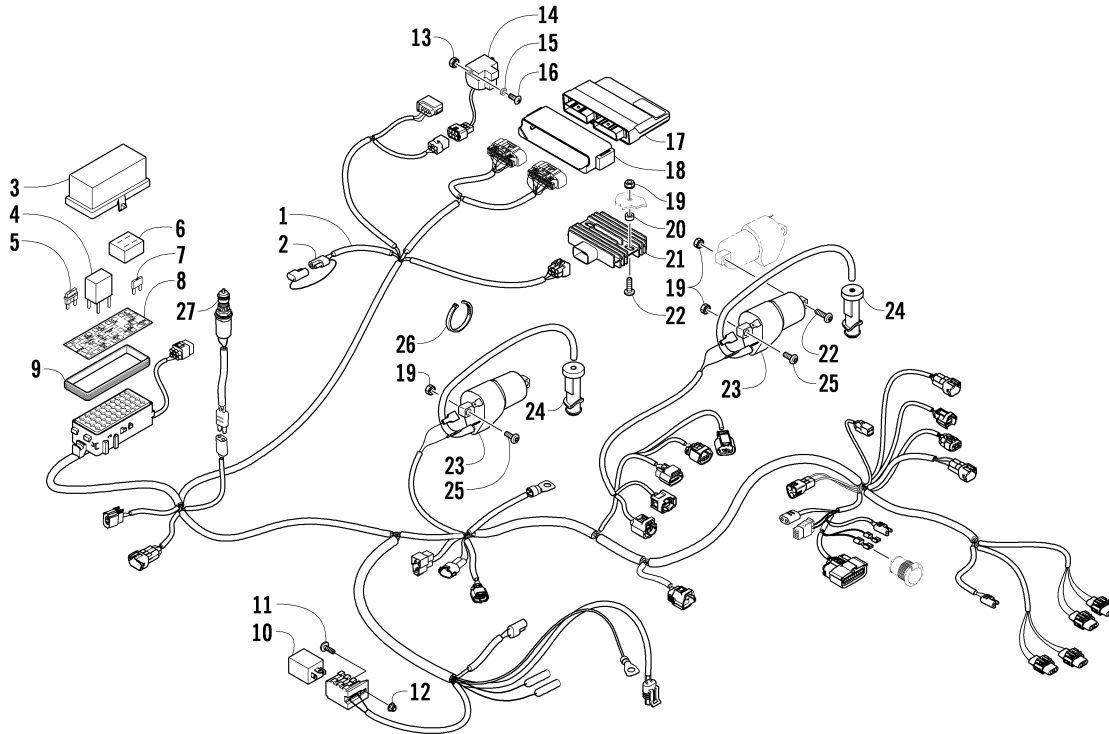




## REAR DRIVE GEARCASE ASSEMBLY

0742-972

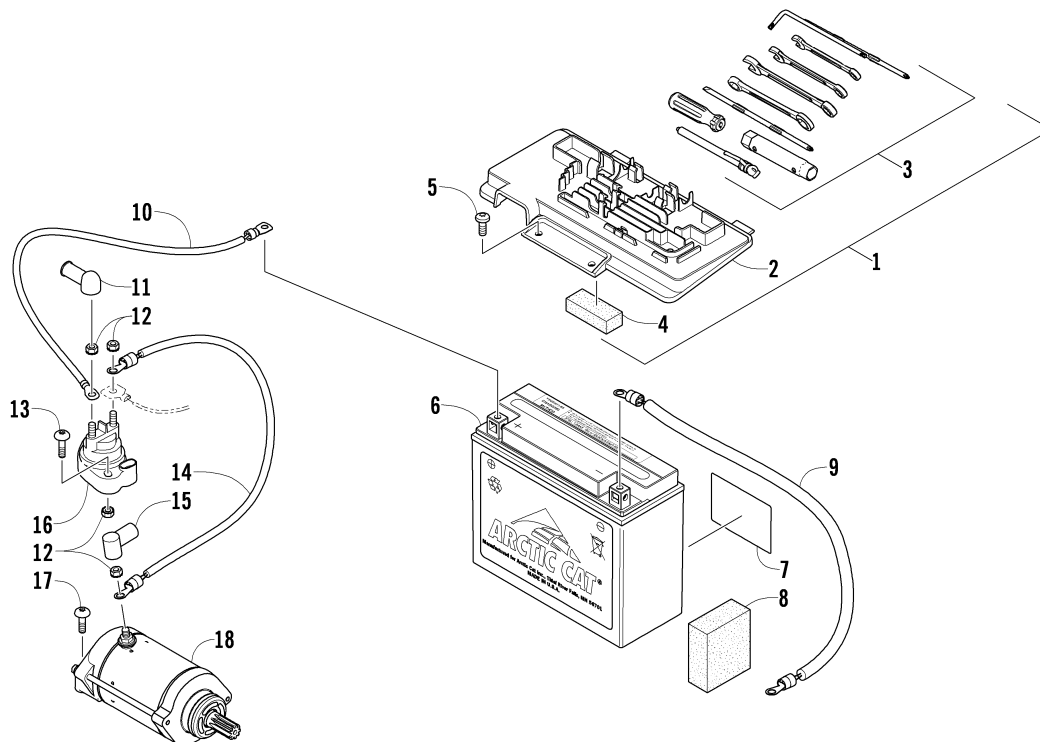
Ref	Part No.	New Qty	Description	Ref	Part No.	New Qty	Description
-	1502-403	1	Complete Rear Drive Gearcase Assembly	13	0423-118	8	Screw, Self-Tapping
1	1502-317	1	Housing, Gearcase	14	0402-450	1	Plug, Magnetic (inc. one No. 15)
2	0402-393	2	Bearing	15	0423-153	2	● O-Ring
3	1402-713	2	Seal	16	1402-211	1	Plug, Oil Level (inc. one No. 15)
4	1402-033	1	Gear, Ring - 34T	17	0402-947	1	Gasket
5	0402-405	AR	Shim	18	0402-411	1	Pin, Dowel
	0402-406	AR	Shim	19	0402-328	1	Bearing
	0402-407	AR	Shim	20	0502-784	1	Gear, Pinion - Assembly - 11T (inc. 21-22)
	0402-408	AR	Shim	21	0402-327	1	● Bearing
	0402-409	AR	Shim	22	0402-336	1	● Collar, Retaining
6	0402-326	1	Button, Thrust	23	0402-331	1	Collar, Lock
7	0402-429	AR	Shim	24	0423-834	3	Screw, Self-Tapping
	0402-430	AR	Shim	25	1502-284	1	Shaft, Input (inc. 26-33)
	0402-431	AR	Shim	26	1502-287	1	● Cartridge, Clutch - Assembly
	0402-432	AR	Shim	27	0423-799	1	● Ring, Retaining - External
	0402-433	AR	Shim	28	1402-682	1	● Basket, Clutch
8	0423-149	1	O-Ring	29	0423-798	1	● Ring, Retaining - Internal
9	1502-082	1	Cover, Gearcase	30	1402-678	1	● Bearing, Flange
10	0402-333	1	Plug, Fill (inc. 11)	31	1402-677	1	● Bearing
11	0423-154	1	● O-Ring	32	1402-687	1	● Seal
12	1402-102	1	Fitting	33	1502-285	1	● Housing, Input



## WIRING HARNESS ASSEMBLY

0745-010

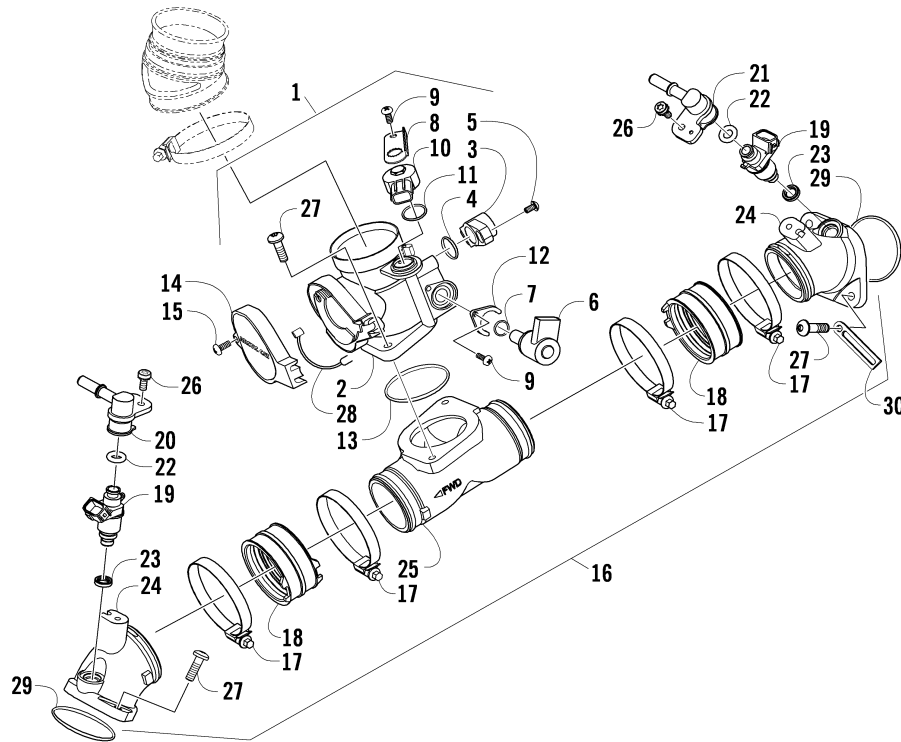
Ref	Part No.	New	Qty	Description	Ref	Part No.	New	Qty	Description
1	0486-354	X	1	Harness, Main (inc. 2-9)	14	0409-064		1	Switch, Tilt Sensor
2	0486-164		1	● Tether, Accessory Connector	15	0123-802		2	Washer
3	0430-085	X	1	● Cover, Fuse Block	16	8468-425		2	Screw, Machine
4	0430-045		5	● Relay (4-Pin) - 20 Amp	17	0530-033	X	1	ECU
5	0430-034		1	● Diode	18	0430-059		1	Cushion, ECU
6	0430-037		1	● Holder, Fuse	19	0623-038		5	Nut w/Washer
7	0430-032		5	● Fuse - 10 Amp	20	0423-036		2	Spacer
	0430-031		4	● Fuse - 15 Amp	21	0824-037		1	Regulator, Voltage
	0430-030		2	● Fuse - 30 Amp	22	8476-630		3	Screw, Machine
8	2411-080	X	1	● Decal, Fuse Block	23	0824-043		2	Coil, Ignition - Assembly
9	0430-086	X	1	● Seal	24	0824-049		2	Cap, Spark Plug
10	0430-049		1	Control, Turn Signal	25	8476-620		2	Screw, Machine
11	8476-516		1	Screw, Machine	26	0123-788		AR	Tie, Cable - 8 in.
12	8427-502		1	Nut, Lock		0123-903		AR	Tie, Cable - 11.5 in.
13	0423-493		2	Nut w/Washer	27	0409-089		1	Switch, Brake - Assembly



## BATTERY AND STARTER ASSEMBLY

0744-454

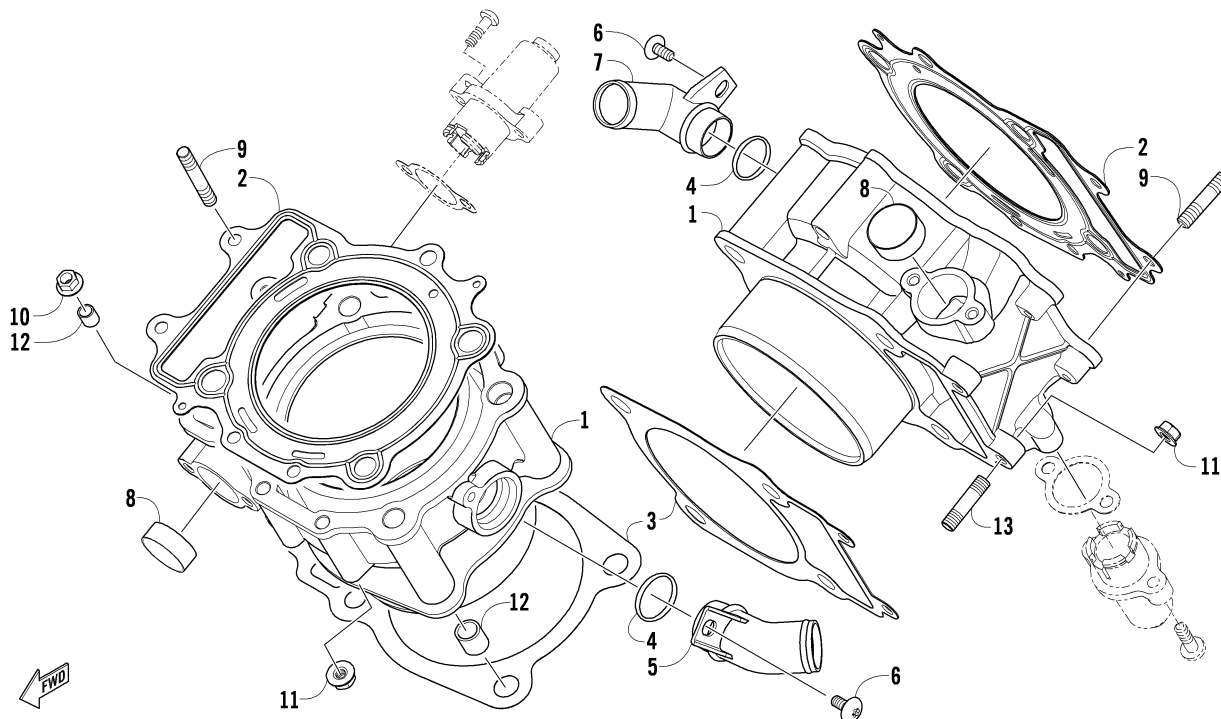
Ref	Part No.	New Qty	Description	Ref	Part No.	New Qty	Description
1	5991-655	1	Battery Cover/Tool Tray Assembly (inc. 2-4)	10	0445-062	1	Cable, Battery/Soleniod
2	2406-815	1	● Cover, Battery	11	0645-327	1	Boot, Terminal
3	0444-122	1	● Kit, Tool	12	0623-038	5	Nut w/Washer
4	0417-016	1	● Pad, Battery	13	8476-630	2	Screw, Machine
5	8476-620	2	Screw, Machine	14	0445-066	1	Cable, Solenoid/Starter (inc. 15)
6	0645-480	1	Battery Assembly (inc. 7)	15	0645-019	1	● Boot, Terminal
7	0645-430	1	● Decal, Warning	16	0445-058	1	Solenoid
8	0417-012	1	Foam, Battery	17	8476-625	2	Screw, Machine
9	0445-071	1	Cable, Battery/Ground	18	0825-015	X 1	Motor, Starter - Assembly



## THROTTLE BODY ASSEMBLY

0742-977

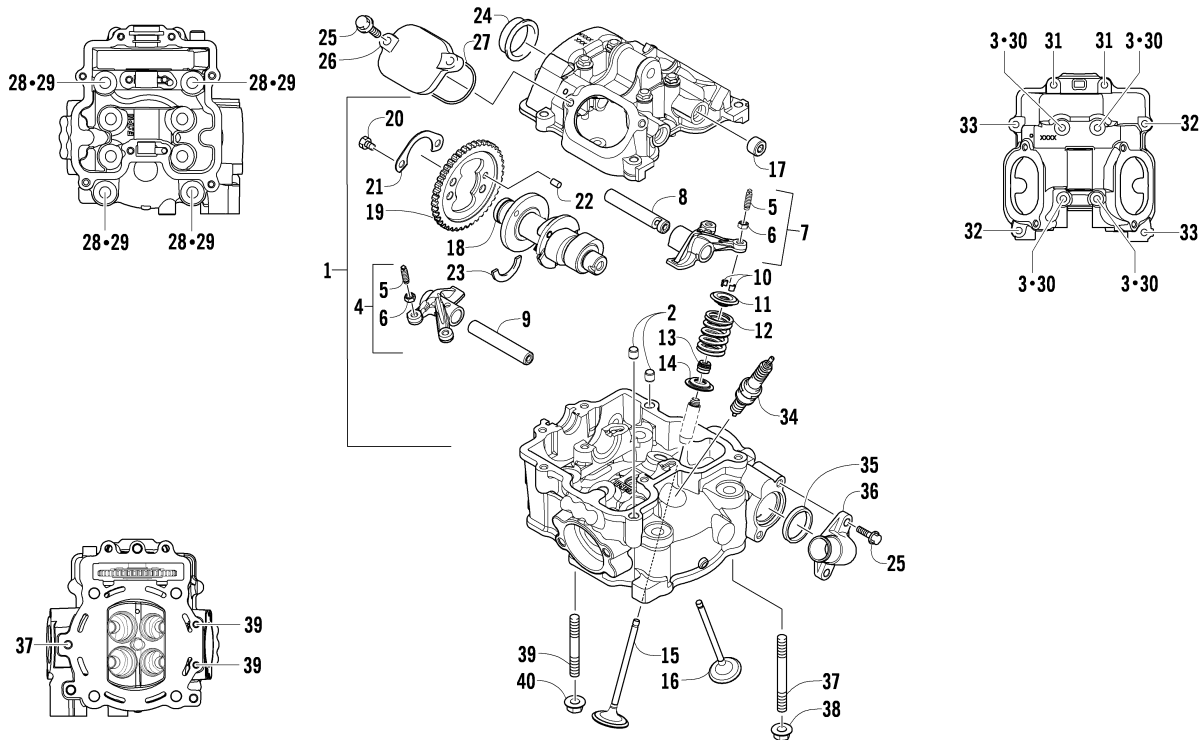
Ref	Part No.	New Qty	Description	Ref	Part No.	New Qty	Description
1	0470-686	1	Throttle - Assembly (inc. 2-15)	16	0570-230	1	Manifold, Intake - Assembly (inc. 17-26)
2	-	1	● Throttle Body - Not a Service Part	17	0423-066	4	● Clamp
3	0430-072	1	● Sensor, Throttle Position	18	0470-660	2	● Boot, Intake - Manifold
4	5507-234	1	● O-Ring, Throttle Position Sensor	19	0470-688	2	● Injector, Fuel
5	5507-231	1	● Screw, Machine	20	0470-763	1	● Rail, Fuel - Front Cylinder
6	0430-074	1	● Valve, ISC	21	0470-764	1	● Rail, Fuel - Rear Cylinder
7	5507-233	1	● O-Ring, ISC Valve	22	0470-767	2	● O-Ring, Fuel Injector
8	5507-227	1	● Bracket, MAP Sensor	23	0470-768	2	● Ring, Seal - Fuel Injector
9	5507-117	2	● Screw, Machine	24	0570-140	2	● Manifold, Intake
10	0430-073	1	● Sensor, MAP	25	0570-156	1	● Plenum, Intake
11	5507-232	1	● O-Ring, MAP Sensor	26	0423-371	2	● Screw, Machine
12	5507-229	1	● Plate, ISC Valve	27	0826-008	6	Screw, Machine
13	5507-235	1	● O-Ring	28	0487-046	1	Cable, Throttle
14	5507-223	1	● Cover	29	0830-090	2	O-Ring
15	5507-037	1	● Screw, Machine	30	3002-964	1	Clamp, Wire



### CYLINDER ASSEMBLY

0743-910

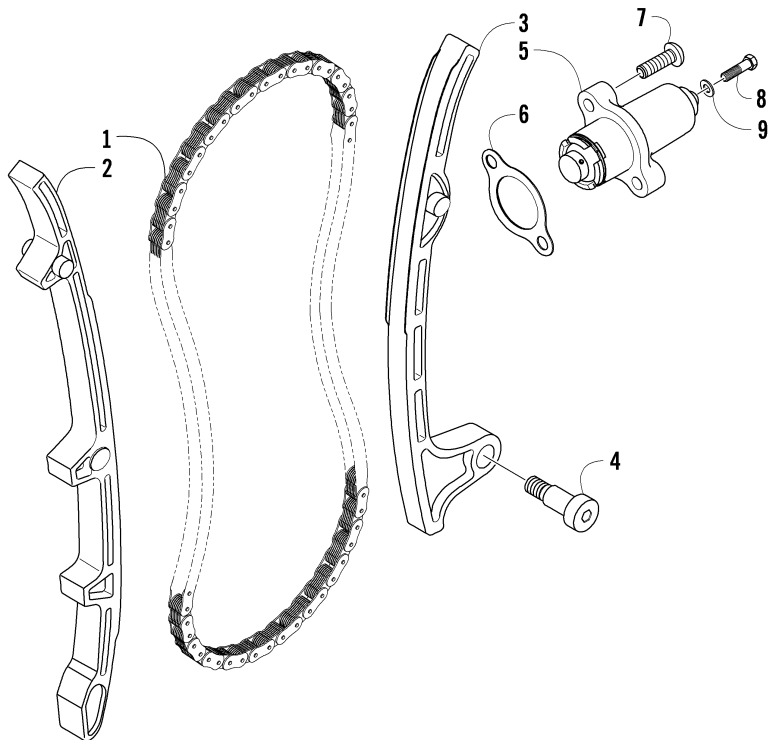
Ref	Part No.	New	Qty	Description	Ref	Part No.	New	Qty	Description
1	0804-031		2	Cylinder	8	0804-037		2	Plug, Cylinder
2	0830-209	X	2	Gasket, Head	9	0827-002		4	Bolt, Stud
3	0830-127		2	Gasket, Base	10	8424-804		2	Nut
4	0830-007		2	O-Ring	11	8424-604		8	Nut
5	0804-046		1	Union, Coolant Hose	12	0829-002		8	Pin, Dowel
6	8468-612		2	Screw, Machine	13	0827-018		4	Bolt, Stud
7	0804-030		1	Union, Coolant Hose					



## CYLINDER HEAD AND CAMSHAFT/VALVE ASSEMBLY

0743-989

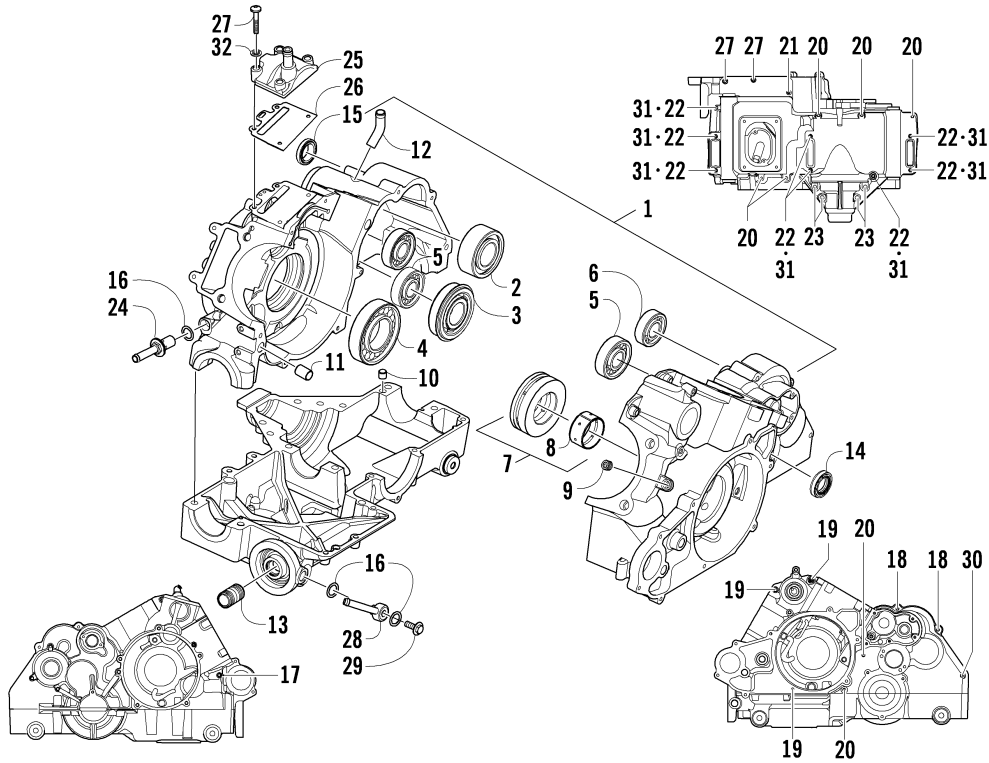
Ref	Part No.	New Qty	Description	Ref	Part No.	New Qty	Description
1	0808-135	2	Head, Cylinder - Assembly (inc. 2-17)	20	0826-034	4	Screw, Cap
2	0829-001	4	● Pin, Dowel	21	0828-004	2	Plate, Retainer
3	0826-001	8	● Screw, Cap	22	0829-008	2	Pin, Dowel
4	0809-202	2	● Arm, Valve Rocker - Intake (inc. two No. 5-6)	23	0809-003	2	C-Ring
5	0809-033	8	●●● Screw, Adjuster	24	0808-077	2	Plug, Cylinder Head
6	0827-007	8	●●● Nut	25	0826-007	12	Screw, Cap
7	0809-205	2	● Arm, Valve Rocker - Exhaust (inc. two No. 5-6)	26	0808-003	4	Cap, Inspection
8	0809-008	2	● Shaft, Rocker Arm - Exhaust	27	0830-167	4	O-Ring
9	0809-007	2	● Shaft, Rocker Arm - Intake	28	0808-090	8	Screw, Cap
10	0809-014	16	● Cotter, Valve	29	0830-147	8	Washer
11	0809-013	8	● Retainer, Spring	30	0830-107	8	Gasket
12	0809-138	8	● Spring, Valve	31	0826-002	4	Screw, Cap
13	0830-016	8	● Seal, Oil	32	0826-005	4	Screw, Cap
14	0809-006	8	● Seat, Spring - Valve	33	0826-006	4	Screw, Cap
15	0809-040	4	● Valve, Exhaust	34	0217-799	2	Spark Plug - CPR8E
16	0809-039	4	● Valve, Intake	35	0830-120	2	Seal
17	0831-041	4	● Plug, Shaft	36	0808-008	2	Cover, Thermostat
18	0809-246	1	Camshaft, Front Cylinder	37	0827-031	2	Bolt, Stud
19	0809-002	2	Camshaft, Rear Cylinder Sprocket	38	8424-804	2	Nut
				39	0827-030	4	Bolt, Stud
				40	8424-604	4	Nut



### CAM CHAIN ASSEMBLY

0742-979

Ref	Part No.	New Qty	Description	Ref	Part No.	New Qty	Description
1	0810-001	2	Chain, Cam	6	0830-134	2	Gasket
2	0810-046	2	Guide, Chain	7	8468-620	4	Screw, Machine
3	0810-049	2	Tensioner, Chain	8	8400-610	2	Screw, Cap
4	0826-106	2	Pivot, Tensioner	9	0828-129	2	Washer
5	0810-004	2	Adjuster, Tensioner - Assembly				

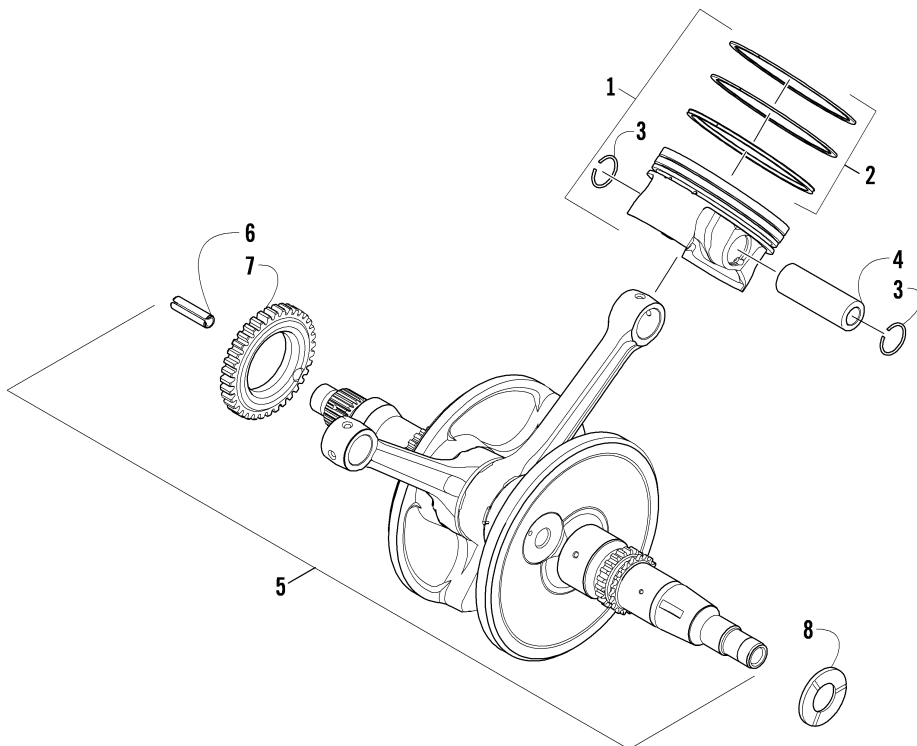


## CRANKCASE ASSEMBLY

0743-990

Ref	Part No.	New Qty	Description	Ref	Part No.	New Qty	Description
1	0801-074	1	Crankcase - Assembly (inc. 2-15)	17	8468-685	1	Screw, Machine
2	0832-048	1	● Bearing	18	8468-650	2	Screw, Machine
3	0832-058	1	● Bearing	19	8468-625	3	Screw, Machine
4	0832-042	1	● Bearing	20	8468-665	7	Screw, Machine
5	0832-050	3	● Bearing	21	8468-640	1	Screw, Machine
6	0832-049	1	● Bearing	22	8412-870	8	Screw, Cap
7	0832-055	1	● Bearing - Assembly (inc. 8)	23	8412-830	4	Screw, Cap
8	0832-057	1	● Bearing	24	0812-051	1	Fitting, Oil - Threaded
9	0801-002	1	● Plug, Engine Case	25	0801-088	1	Cover, Breather
10	0829-001	2	● Pin, Dowel	26	0830-160	1	Gasket, Breather
11	0829-002	2	● Pin, Dowel	27	8468-630	6	Screw, Machine
12	0801-118	1	● Pipe, Breather	28	0812-028	1	Fitting, Oil - 40°
13	0812-008	1	● Union, Oil Filter	29	0812-025	1	Bolt, Oil
14	0822-052	1	● Seal, Countershaft - Right	30	8468-670	1	Screw, Machine
15	0830-035	1	● Seal, Driveshaft	31	0830-008	8	Washer
16	0812-026	3	Gasket, Washer	32	0830-107	4	Gasket

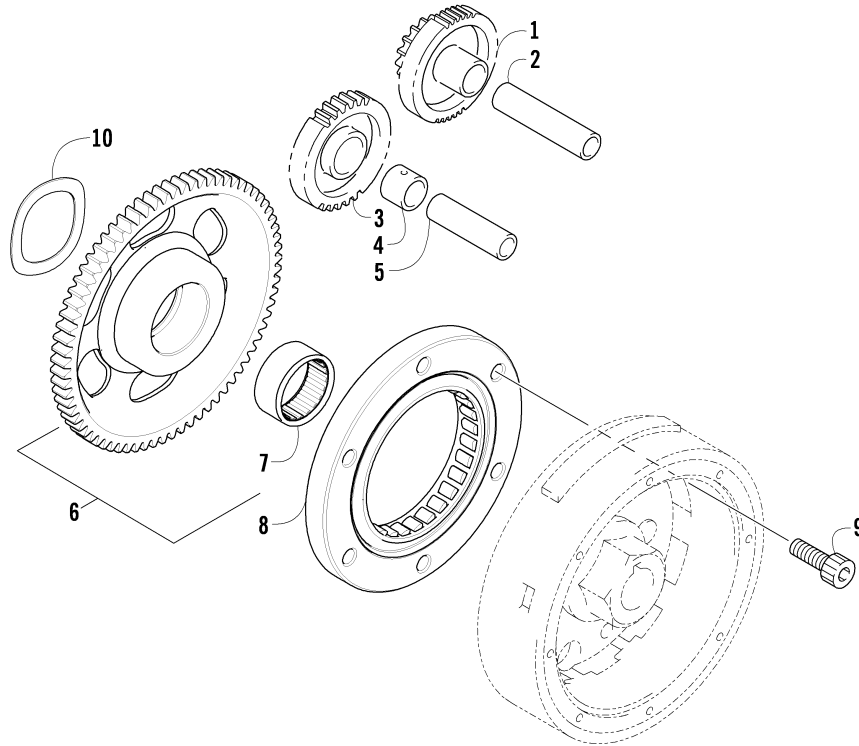




## CRANKSHAFT AND PISTON ASSEMBLY

0742-235

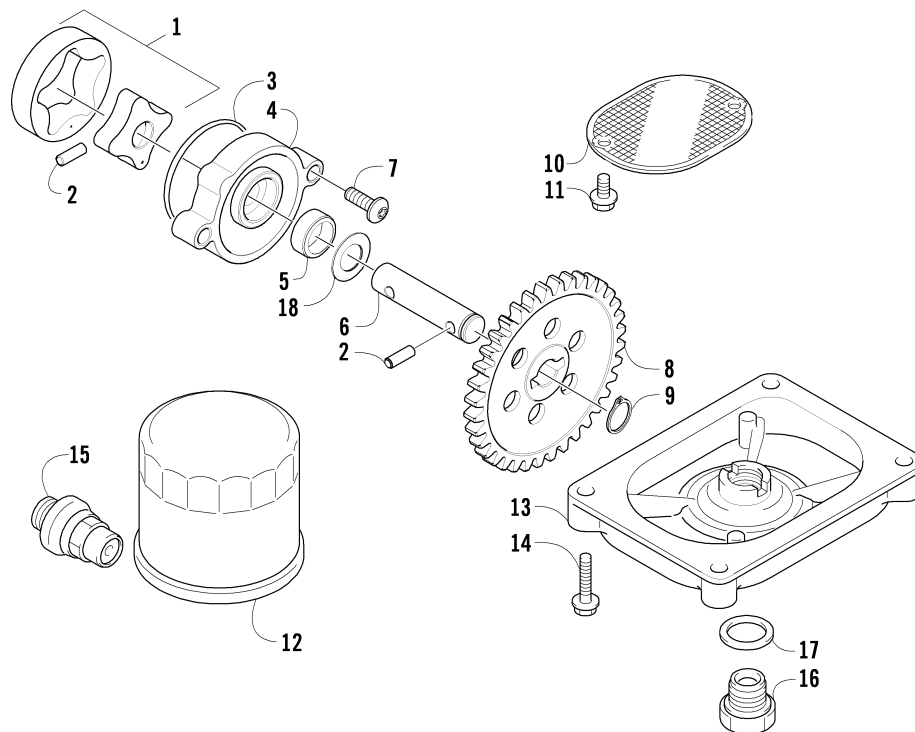
Ref	Part No.	New Qty	Description	Ref	Part No.	New Qty	Description
1	0805-299	2	Piston Set - Assembly (inc. 2-4)	5	0805-200	1	Crankshaft - Assembly (inc. 6-7)
2	0805-164	2	● Ring, Piston - Set	6	0805-204	1	● Pin, Spring
3	0805-199	4	● Circlip, Piston Pin	7	0805-201	1	● Gear, Crankshaft
4	0805-198	2	● Pin, Piston	8	0805-273	1	Washer, Thrust



## STARTER CLUTCH ASSEMBLY

0743-009

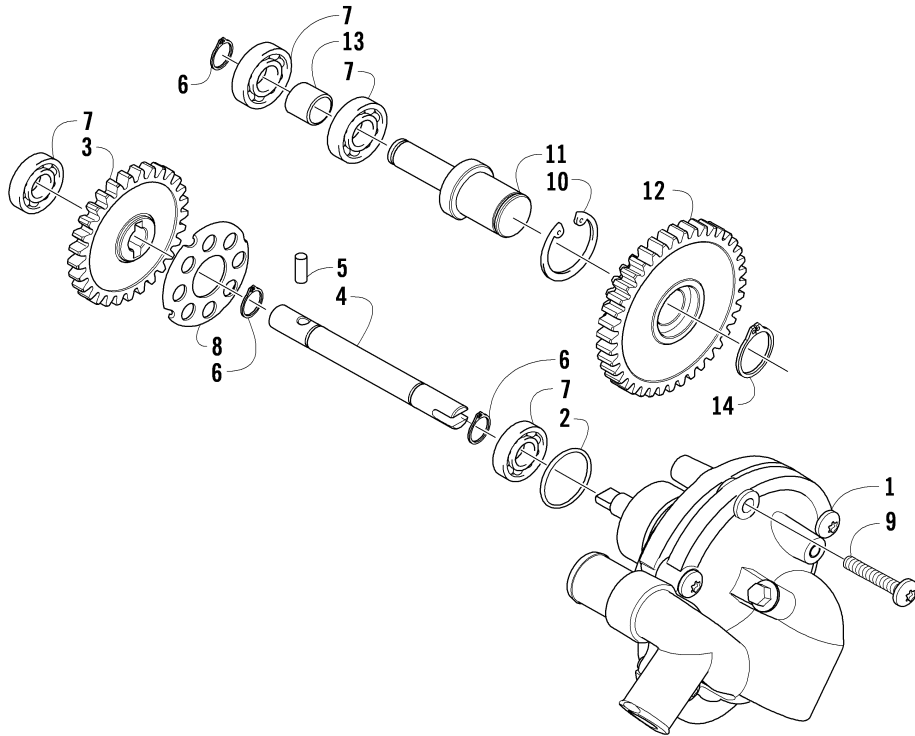
Ref	Part No.	New	Qty	Description	Ref	Part No.	New	Qty	Description
1	0815-026	X	1	Gear, Starter Idler - No. 1	6	0815-004	1	1	Gear, Starter Clutch (inc. 7)
2	0829-031		1	Shaft, Starter Gear	7	0832-079	1	1	● Bearing
3	0815-002		1	Gear, Starter Idler - No. 2	8	0802-035	1	1	Clutch, Starter
4	0815-003		1	Spacer, Starter Idler Gear No. 2	9	0826-069	6	6	Screw, Machine
5	0829-032		1	Shaft, Starter Gear	10	0828-113	1	1	Washer, Wave



### OIL FILTER/PUMP ASSEMBLY

0742-986

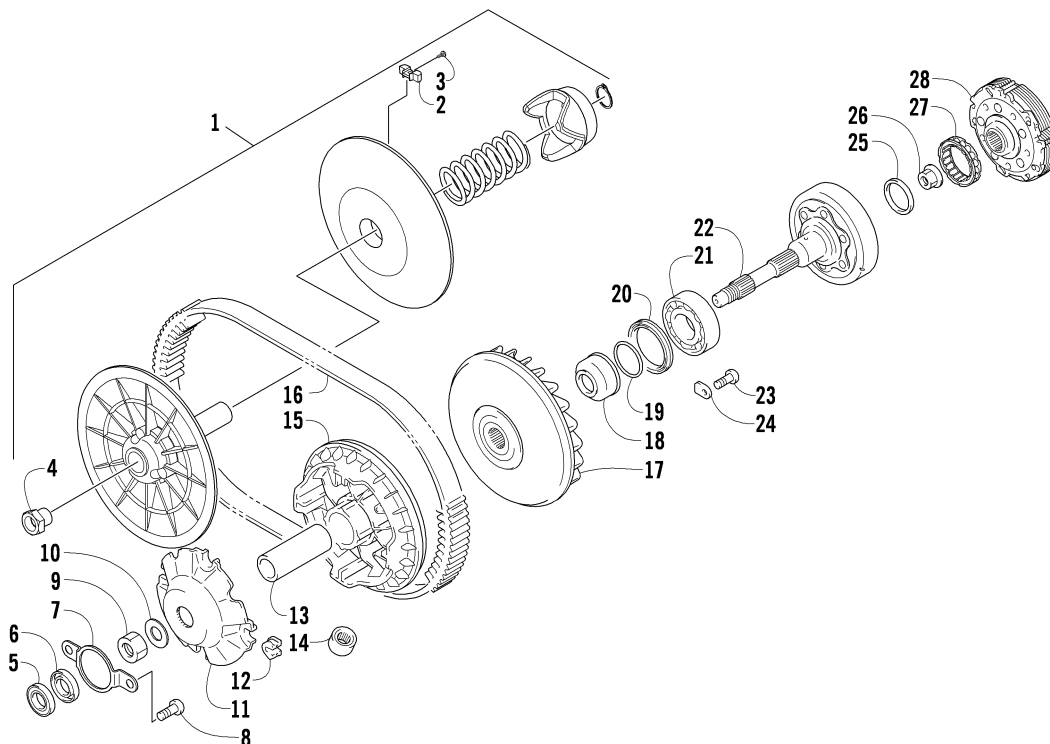
Ref	Part No.	New Qty	Description	Ref	Part No.	New Qty	Description
1	0812-041	1	Gerotor - Set	10	0812-057	1	Strainer, Oil
2	0829-009	2	Pin, Dowel	11	0826-040	2	Screw, Machine
3	0812-048	1	O-Ring	12	0812-029	1	Filter, Oil
4	0812-040	1	Housing, Oil Pump	13	0812-053	1	Cap, Oil Strainer
5	0812-047	1	Seal, Oil Pump	14	8468-625	4	Screw, Machine
6	0812-046	1	Shaft, Oil Pump	15	0812-052	1	Valve, Oil-Relief - Assembly
7	8468-620	2	Screw, Machine	16	0812-006	1	Plug, Drain
8	0812-045	1	Gear, Driven	17	0830-017	1	Gasket, Drain Plug
9	0831-002	1	Ring, Retaining	18	0828-007	1	Shim



## WATER PUMP ASSEMBLY

0742-981

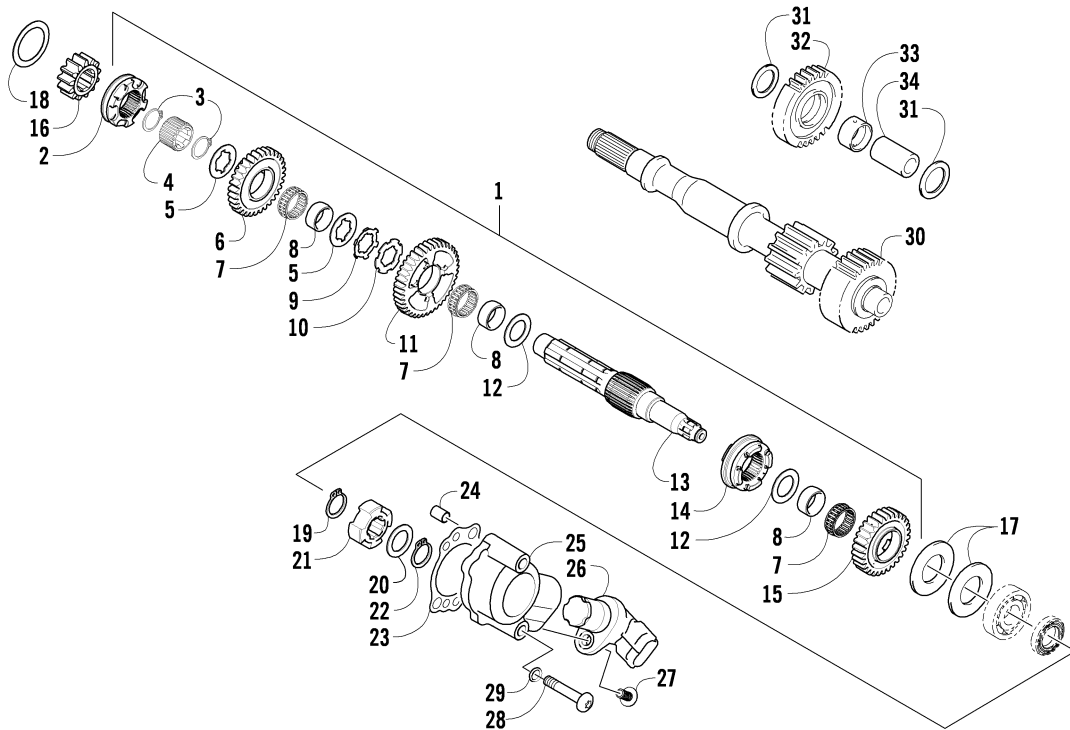
Ref	Part No.	New	Qty	Description	Ref	Part No.	New	Qty	Description
1	0813-056	X	1	Pump, Water - Assembly (inc. 2)	8	0801-089		1	Disc, Breather
2	0830-029		1	● O-Ring	9	8468-650		2	Screw, Machine
3	0813-029		1	Gear, Driven	10	0831-004		1	Ring, Retaining
4	0813-030		1	Shaft, Driven Gear	11	0813-026		1	Shaft, Water Pump Idler Gear
5	0829-009		1	Pin, Dowel	12	0813-027		1	Gear, Idler - Water Pump - Drive
6	0831-002		3	Ring, Retaining	13	0813-028		1	Spacer, Idler - Water Pump
7	0832-046		4	Bearing	14	0831-040		1	Ring, Retaining



## TRANSMISSION ASSEMBLY

0742-982

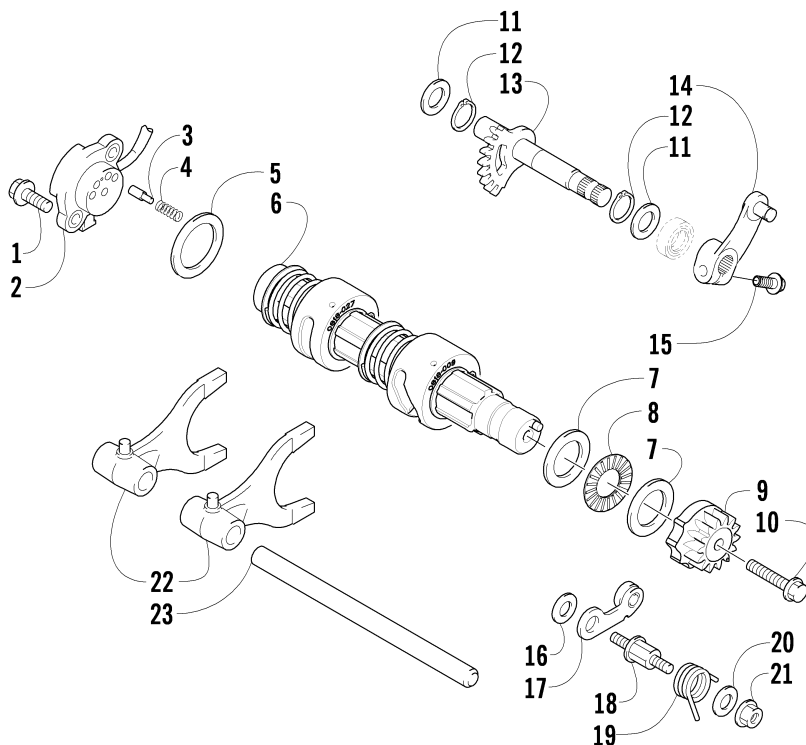
Ref	Part No.	New Qty	Description	Ref	Part No.	New Qty	Description
1	0823-157	1	Pulley, Driven - Assembly (inc. 2-4)	15	0823-159	1	Face, Movable Drive
2	0823-176	3	● Shoe, Cam	16	0823-231	1	Belt, Drive
3	0823-177	3	● Screw, Machine	17	0823-156	1	Face, Fixed Drive
4	0823-178	1	● Nut, Driven Pulley	18	0823-015	1	Spacer, Fixed Drive Face
5	0832-010	1	Bearing	19	0470-531	1	O-Ring
6	0830-176	1	Seal	20	0830-188	1	Seal, Clutch Housing - Right
7	0823-020	1	Retainer, Bearing	21	0832-047	1	Bearing
8	0826-031	2	Screw, Machine	22	0823-261	1	Housing, Clutch
9	0827-010	1	Nut	23	0826-029	2	Screw, Machine
10	0828-106	1	Washer	24	0822-010	2	Retainer, Bearing
11	0823-008	1	Plate, Movable Drive Face	25	0830-189	1	Seal, Clutch Housing - Left
12	0823-010	4	Damper, Movable Drive Face	26	0827-011	1	Nut
13	0823-265	1	Spacer, Movable Drive Face	27	0823-018	1	Clutch, One-Way
14	0823-170	8	Roller, Movable Drive Face	28	0823-098	1	Clutch, Centrifugal - 6 Plate



## SECONDARY TRANSMISSION ASSEMBLY

0743-914

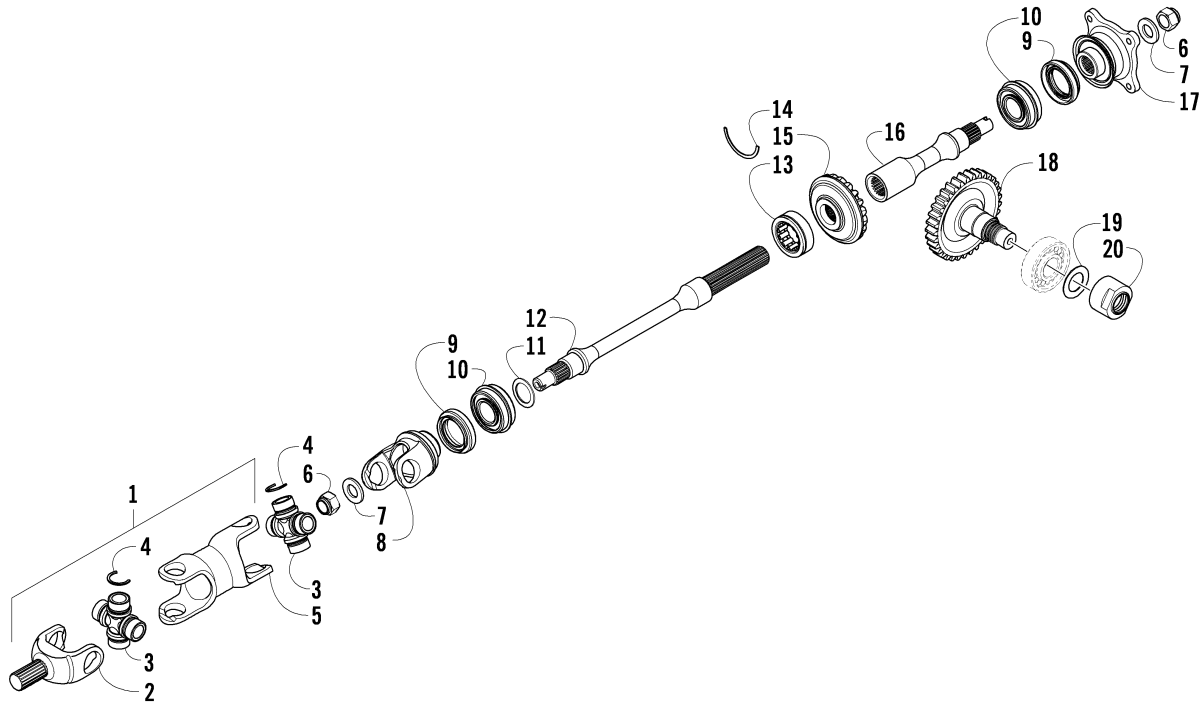
Ref	Part No.	New Qty	Description	Ref	Part No.	New Qty	Description
1	0822-091	1	Countershaft Assembly (inc. 2-15)	18	0828-019	1	Washer, Thrust
2	0822-014	1	● Gear Select, Reverse	19	0831-040	1	Ring, Retaining
3	0831-011	2	● Ring, Retaining	20	0828-069	1	Washer, Thrust
4	0822-045	1	● Spacer, Reverse Driven Gear	21	0822-050	1	Trigger, Speedometer Sensor
5	0828-008	2	● Washer	22	0831-039	1	Ring, Retaining
6	0822-013	1	● Gear, Reverse Driven	23	0830-129	1	Gasket
7	0832-011	3	● Bearing	24	0829-023	2	Pin, Dowel
8	0822-005	3	● Bushing	25	0822-049	1	Housing, Speedometer Sensor
9	0828-014	1	● Washer, Lock	26	0824-042	1	Sensor, Speedometer
10	0828-015	1	● Washer, Lock	27	8468-620	1	Screw, Machine
11	0822-004	1	● Gear, Driven - Low	28	8468-645	2	Screw, Machine
12	0822-046	2	● Washer, Driven Gear	29	0830-107	2	Gasket
13	0822-003	1	● Countershaft	30	0822-001	1	Driveshaft
14	0822-007	1	● Gear Select, Sliding	31	0828-016	2	Washer, Thrust
15	0822-006	1	● Gear, Driven - High	32	0822-011	1	Gear, Reverse Idle
16	0822-089	1	Gear, Drive	33	0822-012	1	Bushing
17	0828-011	2	Washer	34	0822-015	1	Shaft, Reverse Idle



### GEAR SHIFTING ASSEMBLY

0742-985

Ref	Part No.	New Qty	Description	Ref	Part No.	New Qty	Description
1	8470-520	2	Screw, Machine	13	0818-007	1	Shaft, Sub-Gear Shift
2	0409-091	1	Switch, Gear Position	14	0818-014	1	Arm, Shift
3	0818-013	2	Contact	15	8468-620	1	Screw, Machine
4	0818-017	2	Spring	16	0828-038	1	Washer
5	0828-040	1	Washer	17	0818-002	1	Stopper, Cam
6	0818-046	1	Shaft, Gear Shift - Assembly	18	0818-004	1	Support, Cam Stopper
7	0828-095	2	Washer, Thrust	19	0818-090	1	Spring
8	0832-052	1	Bearing, Thrust	20	0828-035	1	Washer
9	0818-055	1	Cam, Gear Shift	21	8424-602	1	Nut
10	0826-006	1	Screw, Cap	22	0818-072	2	Fork, Shift
11	0828-036	2	Washer	23	0818-006	1	Shaft, Shift Fork
12	0831-010	2	Ring, Retaining				

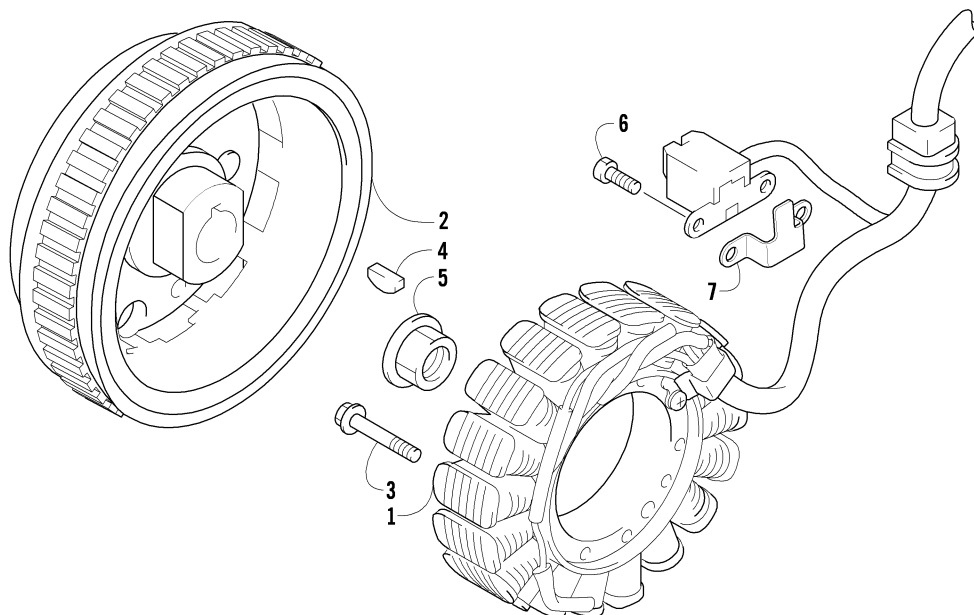


## SECONDARY DRIVE ASSEMBLY

0744-004

Ref	Part No.	New	Qty	Description	Ref	Part No.	New	Qty	Description
1	1502-342		1	Driveshaft, Front - Assembly (inc. 2, one No. 3, four No. 4, and 5)	12	0819-089	X	1	Shaft, Secondary Driven - Front
2	1402-701		1	● Yoke, Slip	13	0832-016		1	Bearing, Driven Gear
3	0402-944		2	● Joint, Universal - Set (inc. 4)	14	0819-011		1	Ring, Driven Bearing
4	0423-395		8	●● Ring, Retaining	15	0822-106		1	Gear, Secondary Driven
5	1502-341		1	● Driveshaft, Front	16	0819-053		1	Shaft, Secondary Driven - Rear
6	0827-013		2	Nut	17	0819-005		1	Flange, Output Joint - Rear
7	0828-020		2	Washer	18	0822-108		1	Gear, Secondary Drive
8	1502-325		1	Yoke, Propeller Shaft Joint	19	0828-119		AR	Shim, 30 x 48 x 0.25 mm
9	0830-043		2	Seal, Oil		0828-120		AR	Shim, 30 x 48 x 0.30 mm
10	0832-017		2	Bearing		0828-121		AR	Shim, 30 x 48 x 0.35 mm
11	0828-021		AR	Shim, 25 x 34 x 0.25 mm		0828-122		AR	Shim, 30 x 48 x 0.90 mm
	0828-022		AR	Shim, 25 x 34 x 0.30 mm		0828-123		AR	Shim, 30 x 48 x 0.95 mm
	0828-023		AR	Shim, 25 x 34 x 0.70 mm		0828-124		AR	Shim, 30 x 48 x 1.00 mm
	0828-024		AR	Shim, 25 x 34 x 0.90 mm		0828-125		AR	Shim, 30 x 48 x 1.05 mm
	0828-025		AR	Shim, 25 x 34 x 0.95 mm		0828-126		AR	Shim, 30 x 48 x 1.10 mm
	0828-026		AR	Shim, 25 x 34 x 1.00 mm		0828-127		AR	Shim, 30 x 48 x 1.15 mm
	0828-027		AR	Shim, 25 x 34 x 1.05 mm	20	0827-060		1	Nut
	0828-028		AR	Shim, 25 x 34 x 1.10 mm					
	0828-029		AR	Shim, 25 x 34 x 1.15 mm					

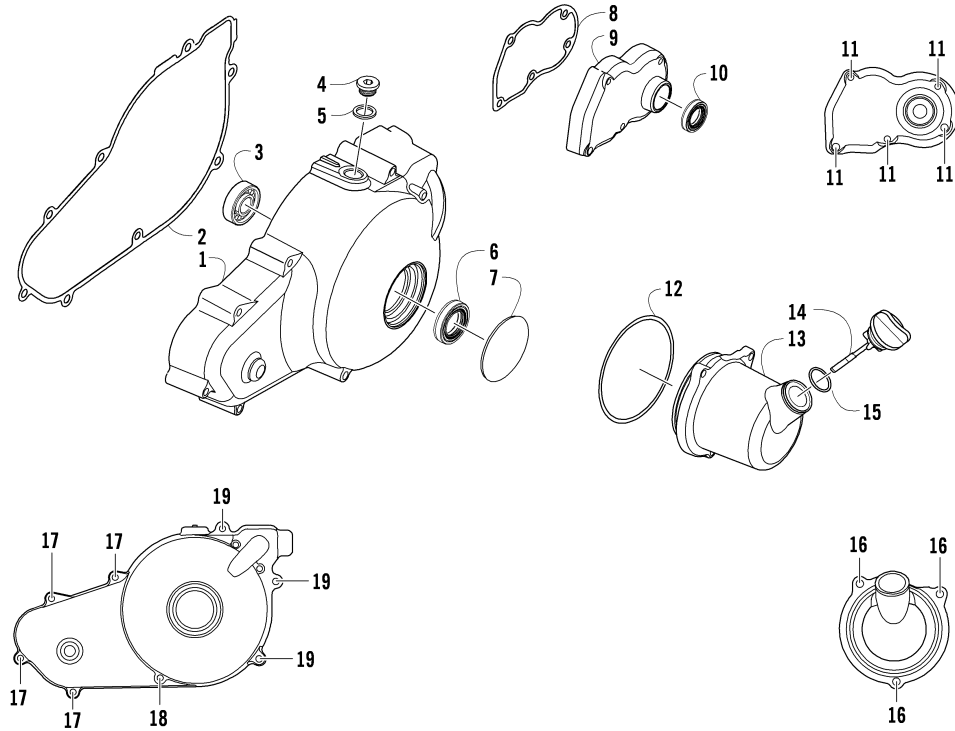




## MAGNETO ASSEMBLY

0742-984

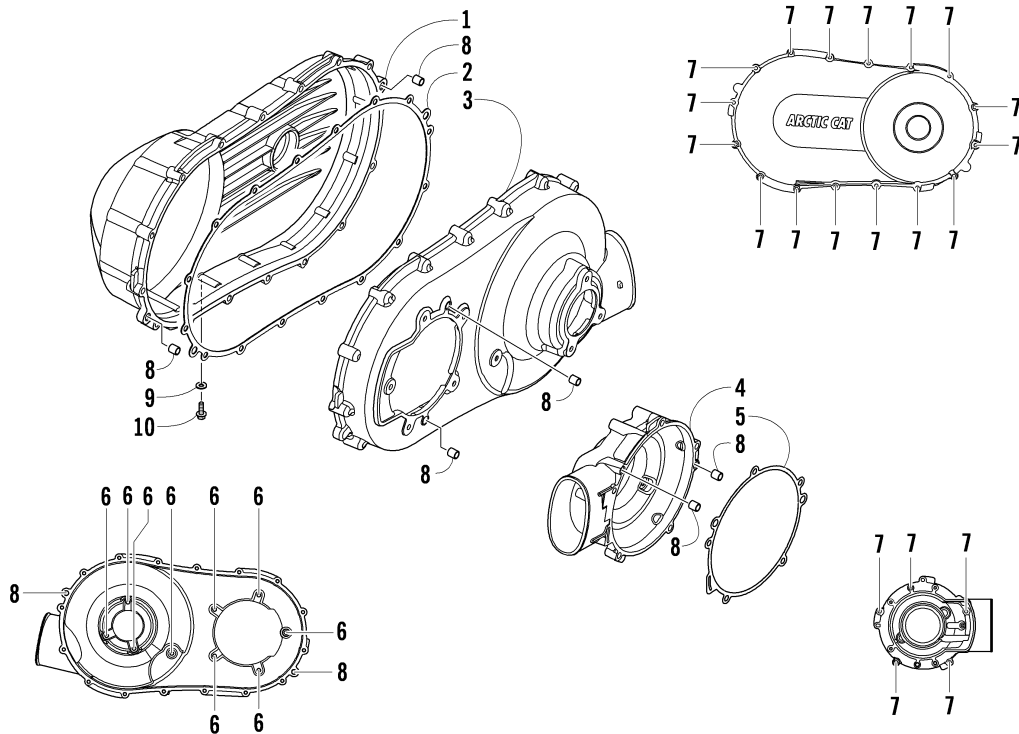
Ref	Part No.	New Qty	Description	Ref	Part No.	New Qty	Description
1	0802-041	1	Stator - Assembly	5	0827-010	1	Nut
2	0802-042	1	Rotor/Flywheel	6	8470-510	4	Screw, Machine
3	0826-102	3	Screw, Machine	7	0831-064	1	Clamp
4	0829-012	1	Key				



## MAGNETO SIDE ENGINE COVERS

0742-239

Ref	Part No.	New Qty	Description	Ref	Part No.	New Qty	Description
1	0806-107	1	Cover, Magneto	11	8468-630	5	Screw, Machine
2	0830-132	1	Gasket, Magneto Cover	12	0830-162	1	O-Ring, Oil Filler Cover
3	0832-010	1	Bearing	13	0801-081	1	Cover, Oil Filler
4	0806-022	1	Plug, Check	14	0801-073	1	Stick, Oil Level (inc. 15)
5	0830-015	1	Washer, Crush	15	0830-010	1	● O-Ring
6	0830-176	1	Seal, Cap	16	8468-620	3	Screw, Machine
7	0806-066	1	Cap, Magneto Cover	17	8468-650	4	Screw, Machine
8	0830-161	1	Gasket, Gear Shift Cover	18	8468-695	1	Screw, Machine
9	0818-070	1	Cover, Gear Shift	19	8468-665	3	Screw, Machine
10	0830-044	1	Seal, Gear Shift Cover				



### CLUTCH SIDE ENGINE COVERS

0742-232

Ref	Part No.	New Qty	Description	Ref	Part No.	New Qty	Description
1	0806-112	1	Cover, Outside	6	8468-616	9	Screw, Machine
2	0830-137	1	Gasket, Cover	7	8468-630	21	Screw, Machine
3	0806-110	1	Cover, Inside	8	0829-001	6	Pin, Dowel
4	0806-064	1	Cover, Clutch	9	0830-013	1	Washer, Crush
5	0830-133	1	Gasket, Clutch Cover	10	8408-812	1	Screw, Cap

