

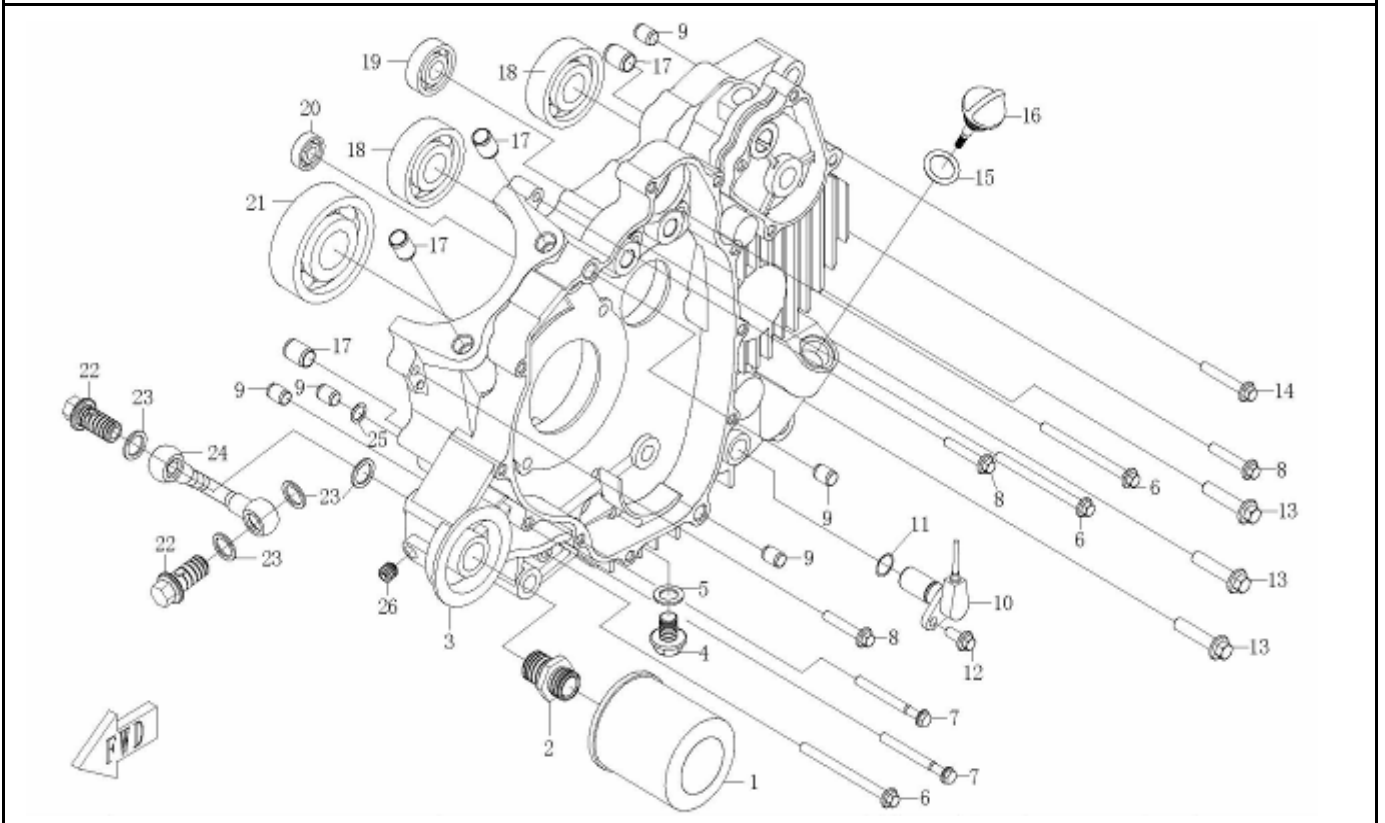
# PARTBOOK

2006.01



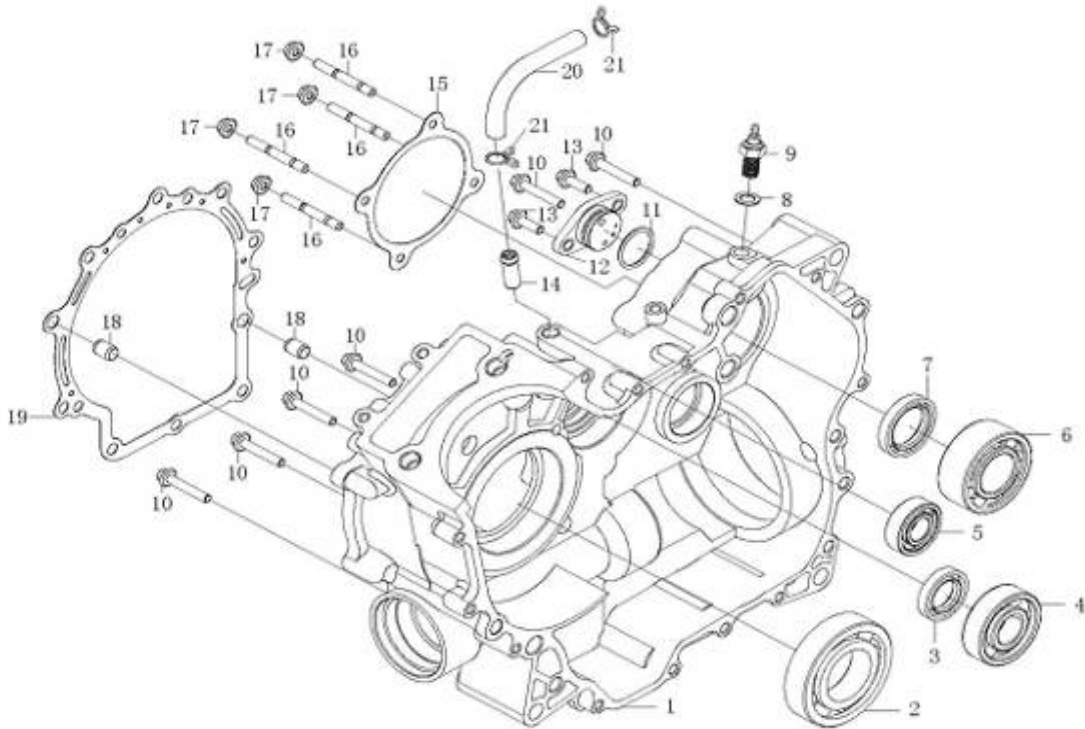
## ATLAS 500ccm

# E1 LEFT CRANKCASE



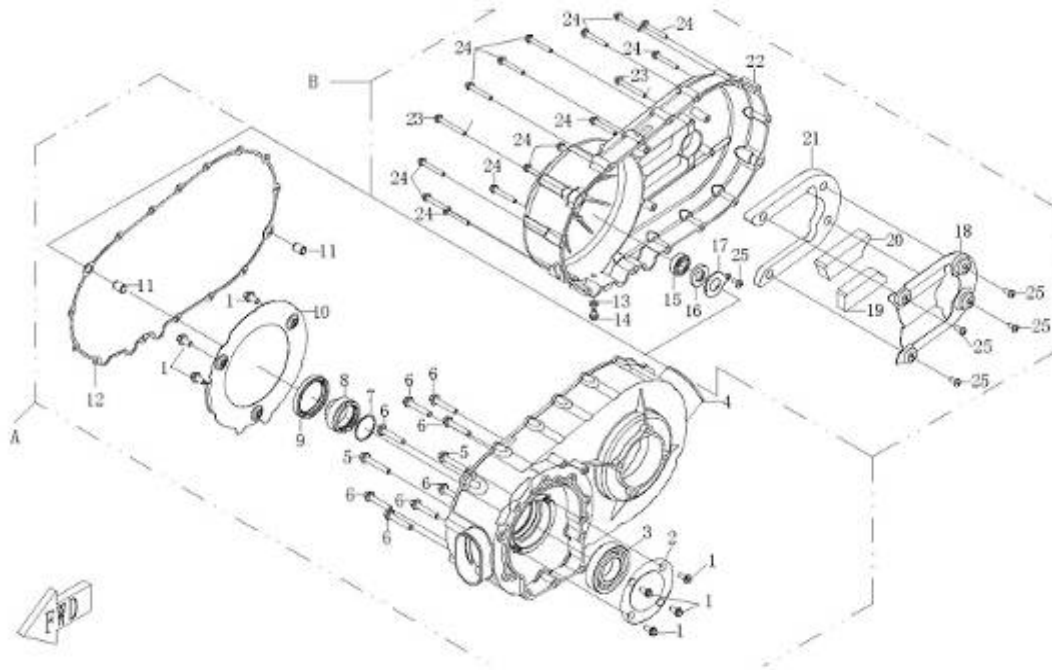
REF NO	PART CODE	DESCRIPTION(EN)	Q'TY
1	CF188-011300	OIL FILTER	1
2	CF188-011004	BOLT,OIL FILTER	1
3	CF188-011100	LEFT CRANKCASE	1
4	172MM-013005	DRAIN BOLT M12x1.25	1
5	152MI-021014	WASHER 12	1
6	172MM-013031	BOLT M6x80	3
7	152MI-011017	BOLT M6x60	2
8	152MI-013008	BOLT M6x35	3
9	152MI-021005	DOWEL PIN, 10x14	5
10	172MM-B-011300	SPEED SENSOR	1
11	172MM-B-011303	O-RING 14x1.44	1
12	152MI-090005	BOLT M6x16	1
13	172MM-060010	BOLT M8x38	3
14	152MI-013009	BOLT M6x40	1
15	172MM-013030	O-RING 18x3.55	1
16	172MM-013001	OIL DIP ROD	1
17	CF188-011005	DOWEL PIN, 13x18	4
18	GB/T276/6303	BEARING 6303(17x47x14)	2
19	GB/T276/6202	BEARING 6202	1
20	GB/T276/63/22	BEARING 63/22	1
21	GB/T276/6307	BEARING 6307	1
22	CF188-011007	HINGE BOLT M14x1.5	2
23	CF188-011006	GASTET 14	4
24	CF188-011400	EXTERNAL OIL PIPE SET	1
25	GB3452.1/10x1.8	O-RING	1
26	GB/T77/M10x10	SCREW	1

# E2 RIGHT CRANKCASE



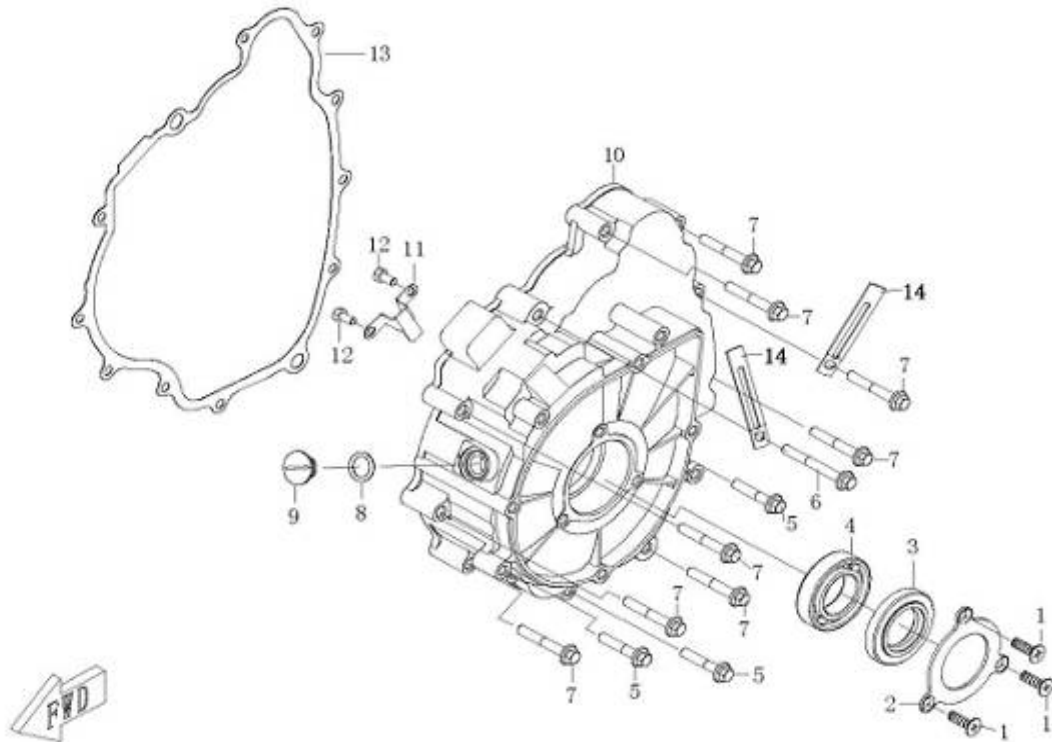
REF NO	PART CODE	DESCRIPTION(EN)	Q'TY
1	CF188-012100	RIGHT CRANKCASE	1
2	GB/T276/6208	BEARING 6208	1
3	CF188-012004	OIL SEAL 22x38x7	1
4	GB/T276/63/22	BEARING 63/22	1
5	GB/T276/6203-RZ	BEARING 6203LU	1
6	GB/T296/3206A	BEARING 5206C3	1
7	CF188-012006	OIL SEAL 30x45x7	1
8	152MI-060010	WASHER 10	1
9	CF188-012300	REVERSE GEAR SENSOR	1
10	152MI-013008	BOLT M6x35	6
11	CF188-012007	O-RING 26x2.5	1
12	CF188-012200	GEAR POSITION SENSOR	1
13	152MI-023008	BOLT M6x18	2
14	152MI-013006	JOINT, BREATHER HOSE	1
15	CF188-012002	GASKET 2, CVT HOUSING	1
16	GB/T900/AM6x40-8.8	BOLT	4
17	GB/T6177.1/M6	NUT	4
18	152MI-021005	DOWEL PIN10x14	2
19	CF188-012001	GASKET 1, CVT HOUSING	1
20	152MI-013007	BREATHER HOSE	1
21	QC/T621/A12	CLAMP A12	2

# E3 CVT HOUSING



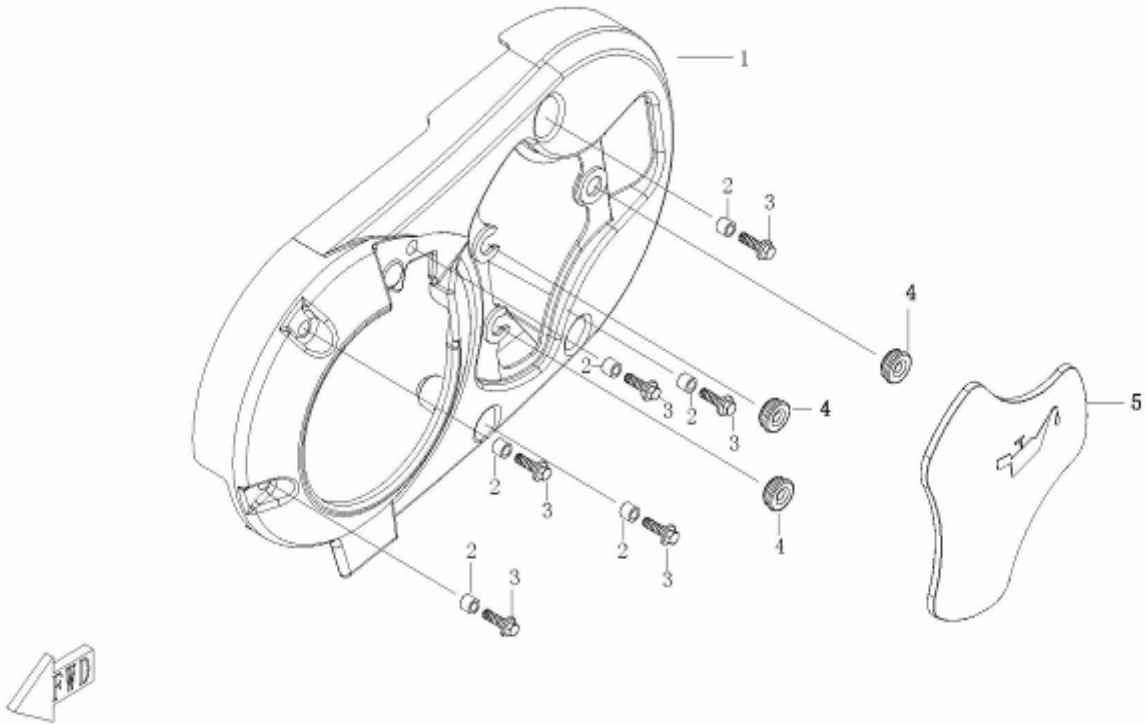
REF NO	PART CODE	DESCRIPTION(EN)	Q'TY
A	CF188-013100	CVT HOUSING COMP.	1
B	CF188-013200	CVT COVER COMP.	1
1	GB/T818/M6x12	SCREW	10
2	CF188-013104	BEARING RETAINER, CVT	2
3	GB/T276/6208-RS	BEARING 6208	1
4	CF188-013101	CVT CASE	1
5	1P39MB-012006	BOLT M8x50	2
6	1P39MB-012005	BOLT M8x45	8
7	CF188-013107	O-RING 39x2.3	1
8	CF188-013106	SPACER, DRIVE SHAFT	1
9	CF188-013105	OIL SEAL 54x70x8	1
10	CF188-013102	PLATE, AIR INTAKE	1
11	CF188-011005	DOWEL PIN13x18	2
12	CF188-013103	RUBBER GASKET, CVT CASE	1
13	152MI-060009	WASHER 6	1
14	152MI-080010	BOLT M6x10	1
15	GB/T276/6003	BEARING 6003	1
16	CF188-013207	OIL SEAL 17x35x5	1
17	CF188-013206	LIMITATOR, OIL SEAL	1
18	CF188-013205	DAMPER PLATE	1
19	CF188-013204	RUBBER DAMPER(2)	1
20	CF188-013203	RUBBER DAMPER(1)	1
21	CF188-013202	RUBBER DAMPER(3)	1
22	CF188-013201	CVT COVER	1
23	152MI-021018	BOLT M6x55	2
24	CF188-013208	BOLT M6x45	14

## E4 CRANKCASE COVER (LEFT)



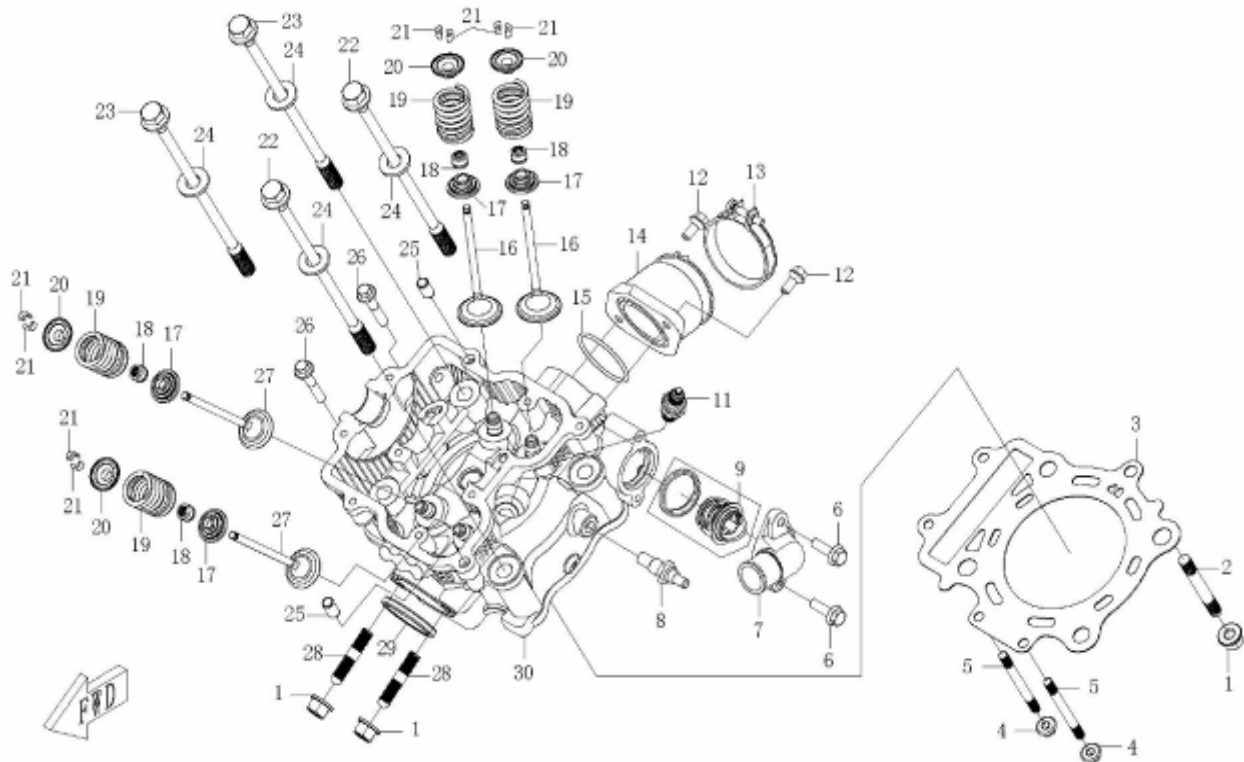
REF NO	PART CODE	DESCRIPTION(EN)	Q'TY
1	CF188-014009	HOLDER SCREW, OIL SEAL	3
2	CF188-014007	HOLDER,OIL SEAL	1
3	CF188-014008	OIL SEAL 28x52x7	1
4	GB/T276-1994	BEARING60/28	1
5	152MI-080012	BOLT M6x32	3
6	152MI-013010	BOLT M6x50	1
7	152MI-013009	BOLT M6x40	8
8	152MI-021009	SEAL RING, PLUG	1
9	152MI-021008	PLUG, INSPECTION	1
10	CF188-014001	COVER, LEFT CRANKCASE	1
11	CF188-014003	LEAD HOLDER	1
12	CF188-014004	BOLT, LEAD HOLDER	2
13	CF188-014002	GASKET, LEFT CRANKCASE COVER	1

# E5 LEFT SIDE COVER ASSY



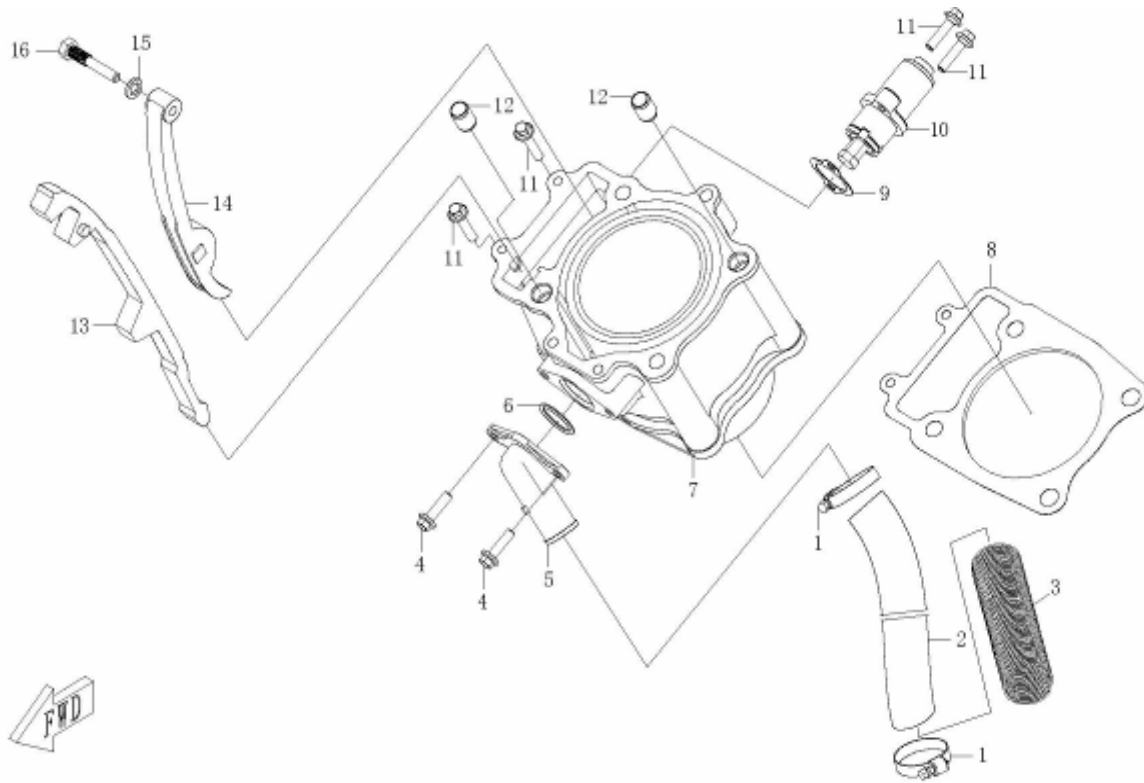
REF NO	PART CODE	DESCRIPTION(EN)	Q'TY
1	CF188-015001	LEFT SIDE COVER	1
2	CF188-015004	BUSH	6
3	152MI-023010	BOLT M6x20	6
4	CF188-015003	RUBBER COLLAR	3
5	CF188-015002	COVER PLATE	1

# E6 CYLINDER HEAD



REF NO	PART CODE	DESCRIPTION(EN)	Q'TY
1	152MI-011700	THRUST NUT M8	3
2	CF188-022009	STUD M8x68	1
3	CF188-022200	GASKET,CYLINDER HEAD	1
4	GB/T6187.1/M6-10-Zn.D	NUT	2
5	CF188-022001	STUD M6x70	2
6	152MI-022020	BOLT M6x22	2
7	CF188-022002	WATER OUTLET JOINT, CYLINDER HEAD	1
8	152MI-022600	WATER TEMPERATURE SENSOR	1
9	CF188-022811	THERMOSTAT	1
10	152MI-022802	SEAL RING	1
11	172MM-022400	SPARK PLUG	1
12	CF188-022010	SCREW M6	2
13	CF188-022400	AIR INLET PIPE CLAMP	1
14	CF188-022900	JOINT, CARBURETOR	1
15	CF188-022011	O-RING 40x2.4	1
16	CF188-022004	VALVE, INTAKE	2
17	CF188-022008	LOWER SEAT, VALVE SPRING	4
18	152MI-022500	SEAL RING SET, VALVE STEM	4
19	CF188-022006	VALVE SPRING	4
20	CF188-022007	UPPER SEAT, VALVE SPRING	4
21	152MI-022006	LOCK CLIP, VALVE	8
22	CF188-022012	CYLINDER BOLT(L)	2
23	CF188-022013	CYLINDER BOLT(R)	2
24	CF188-022014	WASHER, CYLINDER BOLT	4
25	152MI-080008	DOWEL PIN 8x14	2
26	152MI-013008	BOLT M6x35	2
27	CF188-022005	VALVE, EXHAUST	2
28	CF188-022003	STUD M8x42	2
29	CF188-022300	GASKET, EXHAUST PIPE	1
30	CF188-022100	CYLINDER HEAD ASSY	1

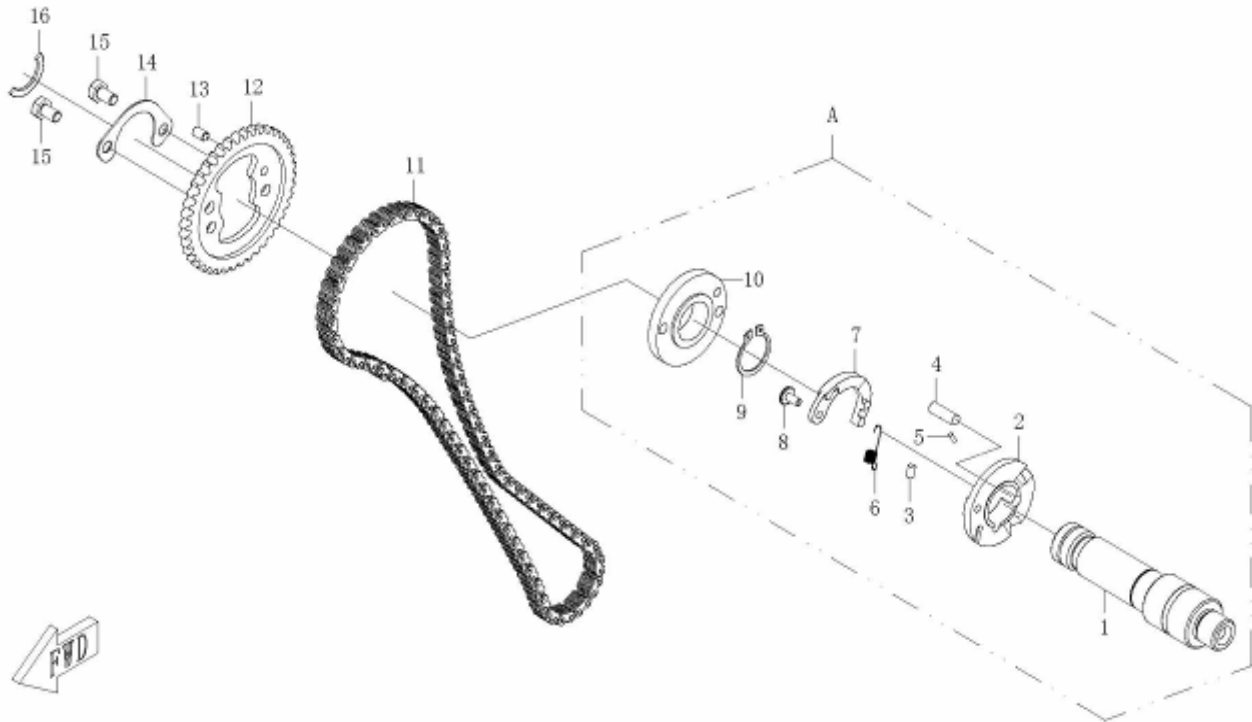
# E7 CYLINDER BODY



REF NO	PART CODE	DESCRIPTION(EN)	Q'TY
1	CF188-023500	CLAMP, WATER HOSE	2
2	CF188-023006	WATER INLET HOSE	1
3	CF188-023005	SLEEVE, WATER HOSE	1
4	152MI-022020	BOLT M6x22	2
5	CF188-023001	JOINT, WATER INLET	1
6	CF188-023002	O-RING 24x2.5	1
7	CF188-023100	CYLINDER	1
8	CF188-023004	GASKET, CYLINDER	1
9	CF188-023003	GASKET, TENSIONER	1
10	CF188-023200	TENSIONER	1
11	152MI-021017	BOLT M6x25	2
12	CF188-011005	DOWEL PIN 13x18	2
13	CF188-023400	TIMING CHAIN GUIDE	1
14	CF188-023300	TENSIONER PLATE	1
15	152MI-021016	WASHER 8	1
16	CF188-023007	BOLT, TENSIONER PLATE	1

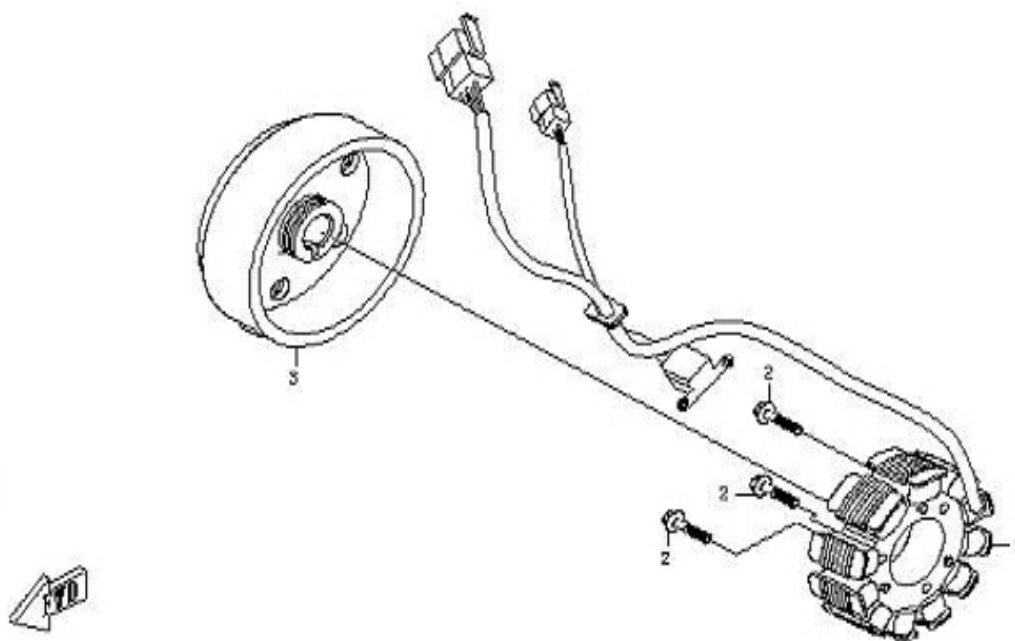


# E8 CAMSHAFT ASSY.



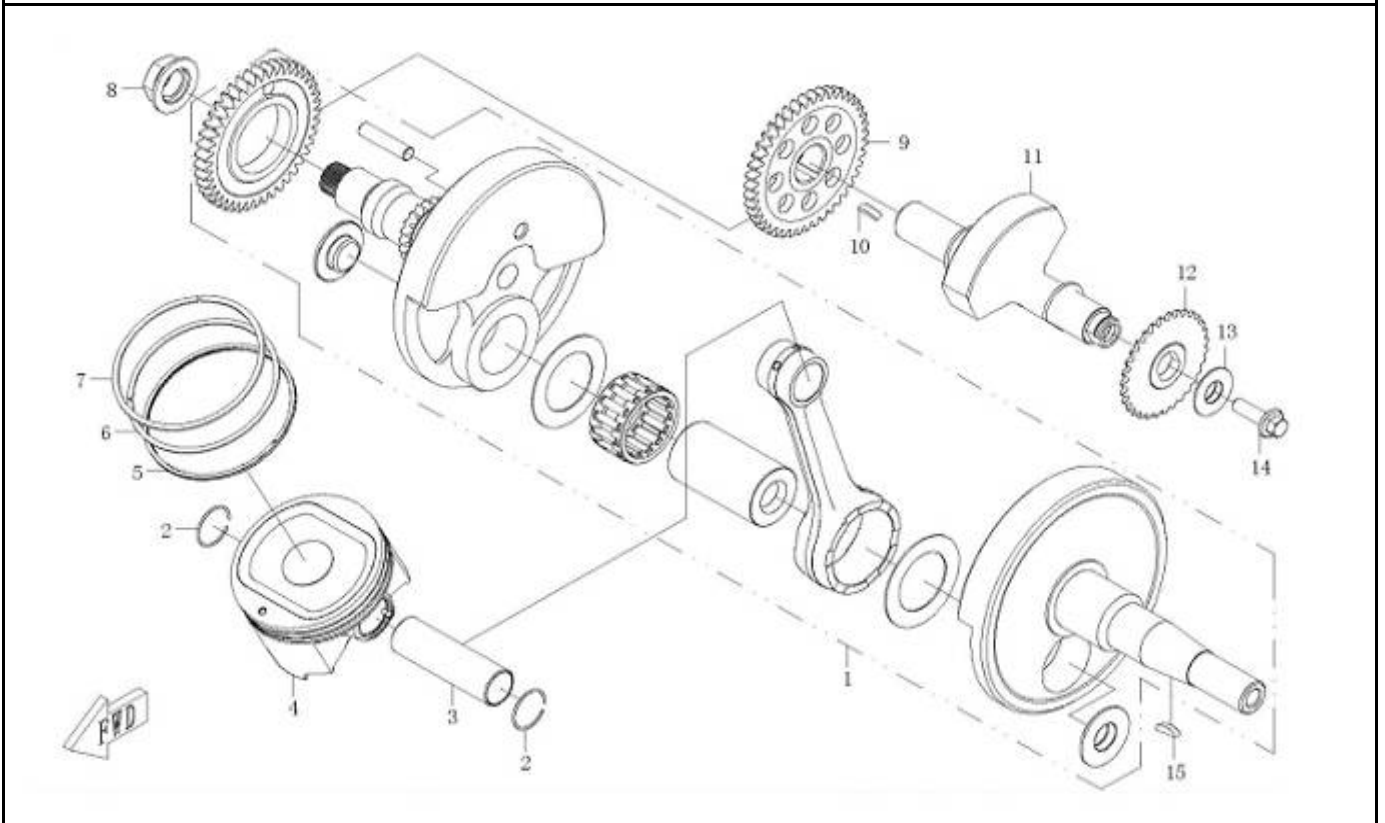
REF NO	PART CODE	DESCRIPTION(EN)	Q'TY
A	CF188-024100	CAMSHAFT ASSEMBLY	1
1	CF188-024101	CAMSHAFT	1
2	CF188-024103	LIMIT CAM	1
3	CF188-024107	DOWEL PIN, DECOMPRESSOR	1
4	CF188-024106	DECOMPRESSOR CAM	1
5	CF188-024105	DEFLECTOR ROD	1
6	CF188-024108	DECOMPRESSOR SPRING	1
7	CF188-024104	DECOMPRESSOR ROCKER ARM	1
8	CF188-024109	DECOMPRESSOR ROCKER ARM WRIST	1
9	GB/T894.2/22	RETAINER	1
10	CF188-024102	FLANGE, CAMSHAFT	1
11	CF188-024200	TIMING CHAIN	1
12	CF188-024001	TIMING SPROCKET	1
13	CF188-024002	DOWEL PIN, TIMING SPROCKET	1
14	CF188-024003	RETAINER	1
15	GB/T5783/M6X10-8.8	BOLT	2
16	CF188-024004	CAMSHAFT SPACER	1

## E9 MAGNETO STATOR ASSY.



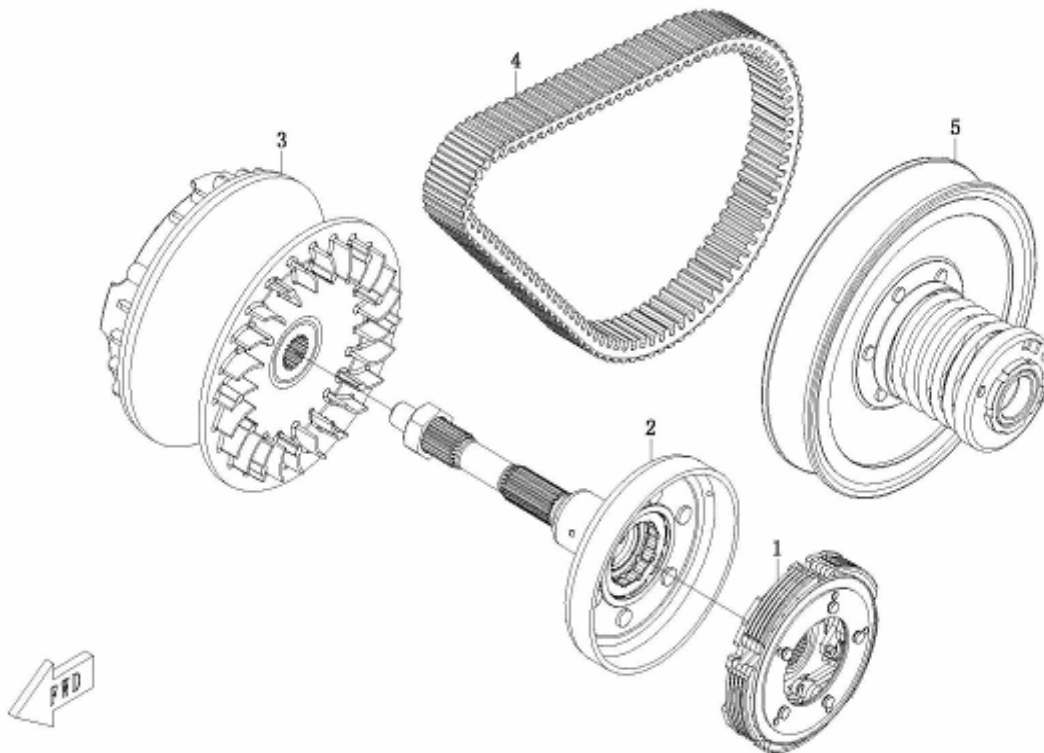
REF NO	PART CODE	DESCRIPTION(EN)	Q'TY
1	CF188-032000	MAGNETO STATOR	1
2	152MI-060012	BOLT M6x30	3
3	CF188-031000	MAGNETO ROTOR	1

# E10 CRANKSHAFT, PISTON, BALANCER



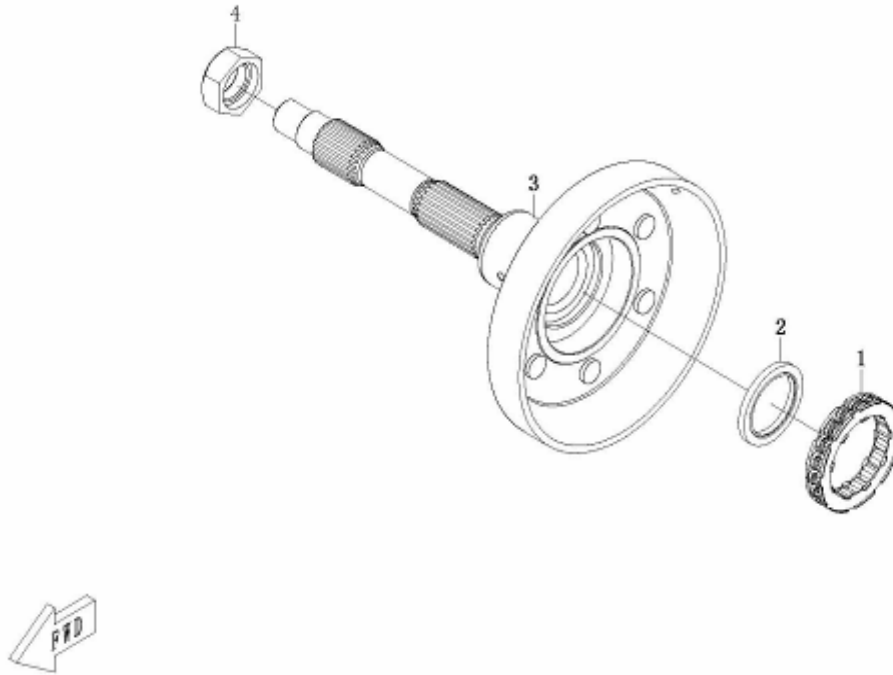
REF NO	PART CODE	DESCRIPTION(EN)	Q'TY
1	CF188-041000	CRANKSHAFT	1
2	CF188-040003	CLIP, PISTON PIN	2
3	CF188-040002	PISTON PIN	1
4	CF188-040004	PISTON	1
5	CF188-042000	OIL RING	1
6	CF188-040005	2ND RING	1
7	CF188-040006	TOP RING	1
8	CF188-040001	NUT M18x1.5(L)	1
9	CF188-160002	GEAR, BALANCER SHAFT	1
10	CF188-160003	WOODRUFF KEY	1
11	CF188-160001	BALANCER SHAFT	1
12	CF188-160004	SPROCKET, BALANCE SHAFT	1
13	CF188-160006	WASHER 10.2x28x2	1
14	GB5783/M10X25	BOLT M10x25	1
15	152MI-040006	WOODRUFF KEY	1

# E11 CLUTCH, CVT



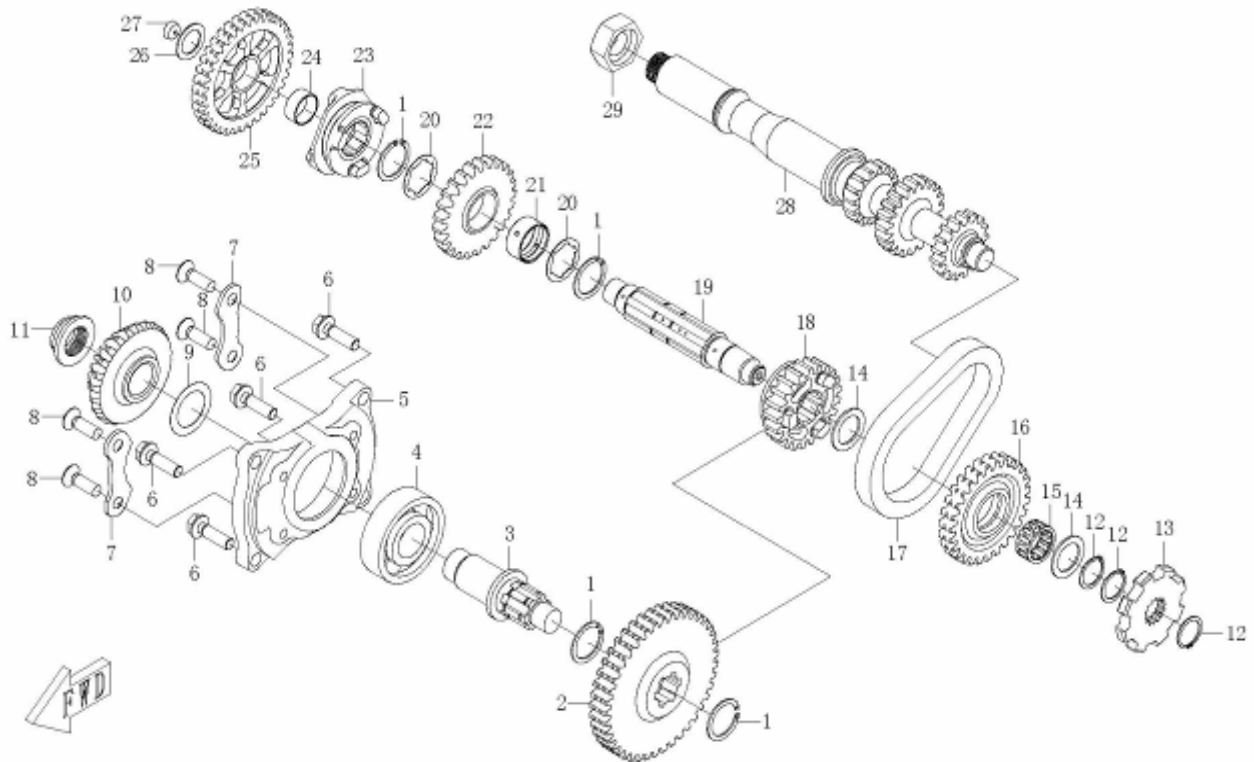
REF NO	PART CODE	DESCRIPTION(EN)	Q'TY
1	CF188-054000	CLUTCH	1
2	CF188-053000	CLUTCH HOUSING	1
3	CF188-051000	PRIMARY SHEAVE	1
4	CF188-055000	BELT	1
5	CF188-052000	SECONDARY SHEAVE	1

# E12 CLUTCH HOUSING



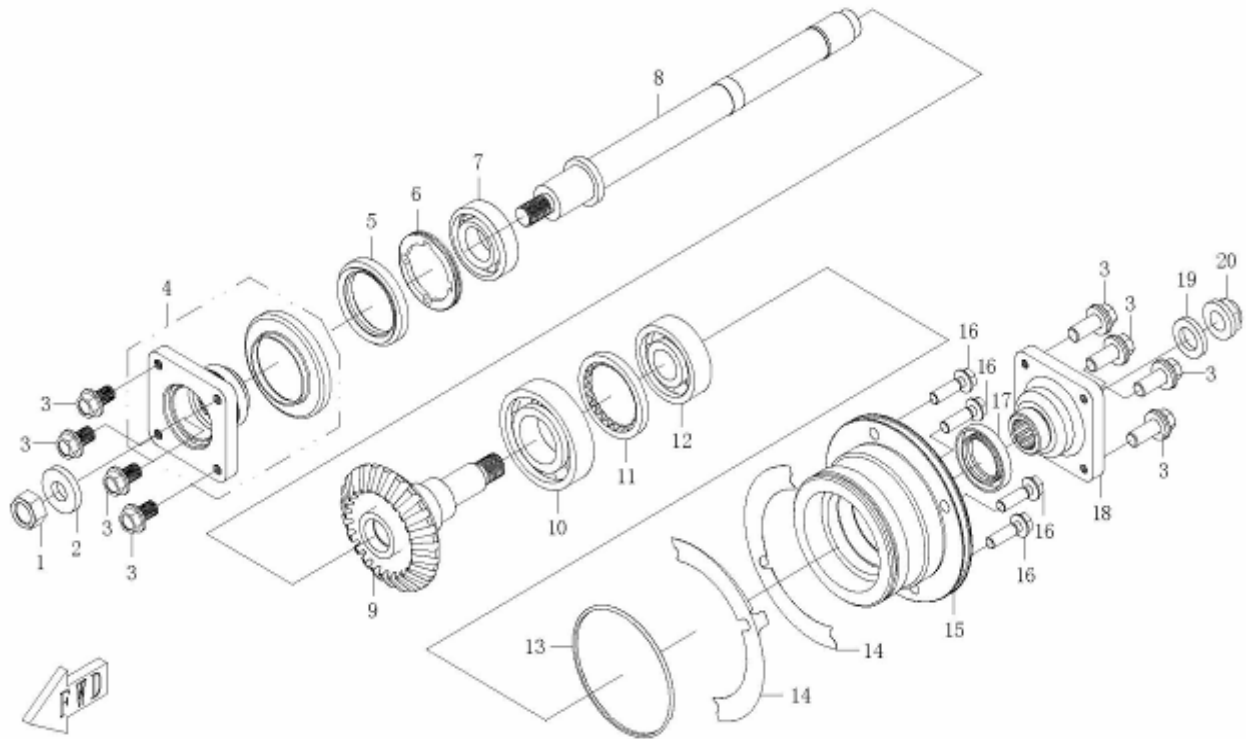
REF NO	PART CODE	DESCRIPTION(EN)	Q'TY
1	CF188-053200	OVERRIDING CLUTCH COMP., DRIVE SHAFT	1
2	CF188-053005	OIL SEAL 46x37.5x5.5, END FACE	1
3	CF188-053100	CLUTCH HOUSING	1
4	CF188-060003	MAIN DRIVE SHAFT NUT	1

# E12 TRANSMISSION I



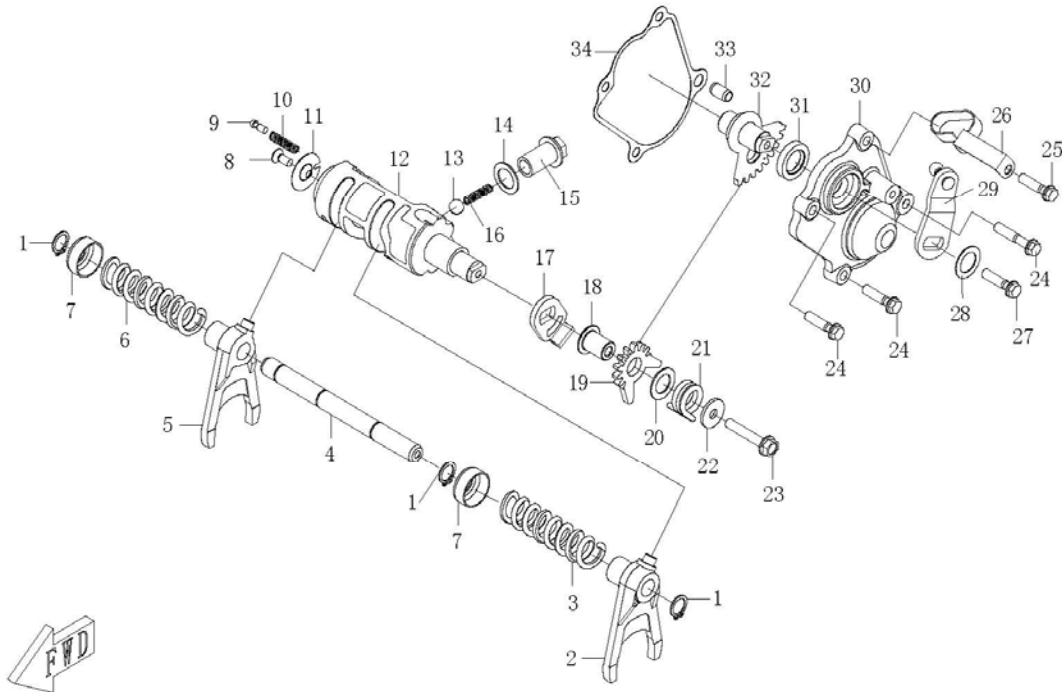
REF NO	PART CODE	DESCRIPTION(EN)	Q'TY
1	CF188-061007	RETAINER 25	4
2	CF188-062102	OUTPUT DRIVEN GEAR	1
3	CF188-062101	DRIVE BEVEL GEAR SHAFT	1
4	GB/T276/6305	BEARING	1
5	CF188-062103	BEARING SEAT,DRIVE BEVEL GEAR	1
6	172MM-060011	BOLT M8x28	4
7	CF188-062104	BEARING LIMIT	2
8	GB/T2673/M8x25	SCREW	4
9	CF188-062105	ADJUST WASHER, DRIVE BEVEL GEAR	1
10	CF188-062106	DRIVE BEVEL GEAR	1
11	CF188-062107	LOCKNUT, BEVEL GEAR	1
12	GB/T894.1/20	RETAINER	1
14	CF188-061012	WASHER 20.5x30x1.5	2
15	NTN-K20X26X12(ISO)	NEEDLE BEARING	1
16	CF188-061013	SPROCKET, REVERSE GEAR	1
17	CF188-069000	CHAIN, REVERSE GEAR	1
18	CF188-061011	DRIVEN OUTPUT GEAR	1
19	CF188-061001	DRIVEN SHAFT	1
20	CF188-061008	SPLINE WASHER	2
21	CF188-061009	BUSHING, DRIVEN HIGH RANGE GEAR	1
22	CF188-061010	DRIVEN GEAR, HIGH RANGE	1
23	CF188-061006	SLIDING BUSH, GEARSHIFT	1
24	CF188-061004	BUSHING, DRIVEN LOW RANGE GEAR	1
25	CF188-061005	DRIVEN GEAR, LOW RANGE	1
26	CF188-061003	WASHER 17.5x26x1	1
27	CF188-061002	BELL PLUG 12	1
28	CF188-060004	MAIN SHAFT. GEARSHIFT	1
29	CF188-060003	NUT, MAIN TRANSMISSION SHAFT	1

# E13 TRANSMISSION II



REF NO	PART CODE	DESCRIPTION(EN)	Q'TY
1	GB/T6185.2/M14x1.5-10	NUT	1
2	CF188-060005	WASHER, FRONT TRANSMISSION OUTPUT NUT	1
3	CF188-170100	BOLT M8x1x22	8
4	CF188-060100	COUPLER, FRONT TRANSMISSION OUTPUT	1
5	CF188-060007	OIL SEAL 44x60x6.7	1
6	CF188-060008	BEARING RETAINER, FRONT OUTPUT SHAFT	1
7	GB/T276/6205	BEARING	1
8	CF188-062301	FRONT OUTPUT SHAFT	1
9	CF188-062206	DRIVEN BEVEL GEAR	1
10	GB/T276/6207c3	BEARING	1
11	CF188-062204	BEARING LIMIT NUT	1
12	GB/T276/63/22	BEARING	1
13	CF188-062205	O-RING 88x2.4	1
14	CF188-062202	ADJUST WASHER, DRIVEN BEVEL GEAR	1
15	CF188-062201	BEARING SEAT, DRIVEN BEVEL GEAR	1
16	172MM-060011	BOLT M8x28	4
17	CF188-062203	OIL SEAL B6 SD 30 46 7	1
18	CF188-060006	COUPLER, REAR TRANSMISSION OUTPUT	1
19	CF188-060001	WASHER, REAR OUTPUT SHAFT NUT	1
20	CF188-060002	NUT, REAR OUTPUT SHAFT	1

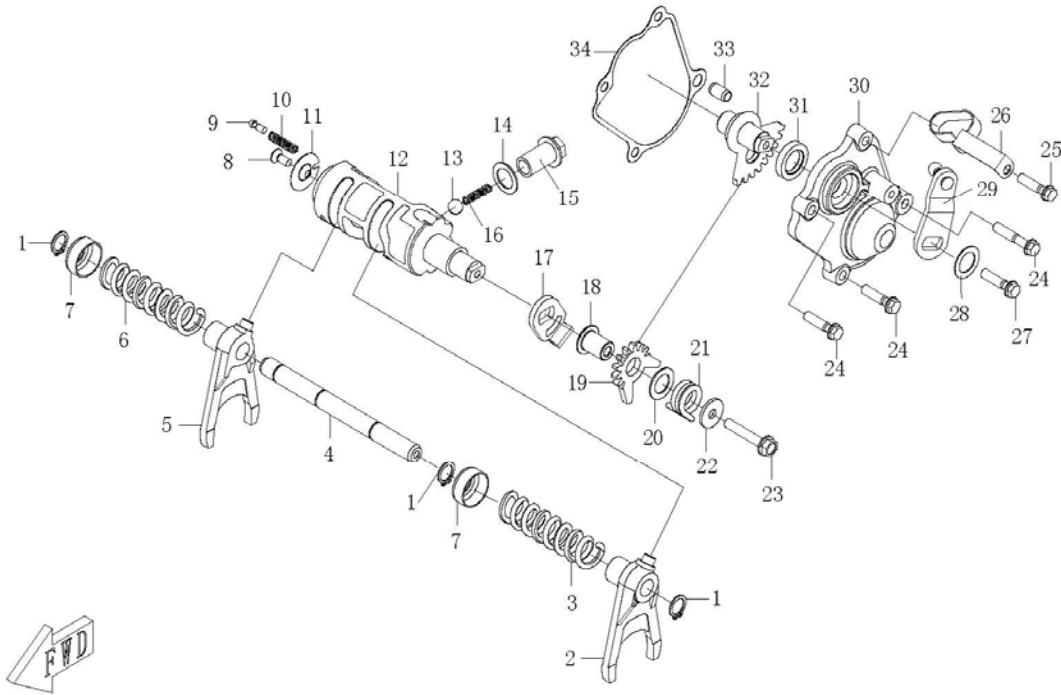
# E14-1 TRANSMISSION III



REF NO	PART CODE	DESCRIPTION(EN)	Q'TY
1	GB/T894.1/12	RETAINER	3
2	CF188-063002	LEFT SHIFT FORK	1
3	CF188-063003	SPRING, SHIFT FORK	1
4	CF188-063001	GUIDE BAR	1
5	CF188-063004	RIGHT SHIFT FORK	1
6	CF188-063005	SPRING, SHIFT FORK	1
7	CF188-063006	SPRING SEAT	2
8	CF188-064002	FASTEN SCREW T25	1
9	CF188-064003	GEAR CONTACTOR	1
10	CF188-064004	SPRING, GEAR CONTACTOR	1
11	CF188-064001	LIMIT WASHER	1
12	CF188-064005	SHIFT CAM	1
13	GB/T308/3/8	FRICTION BALL	1
14	CF188-068002	WASHER 14x22x1	1
15	CF188-068001	HOLE BOLT M14x1.5	1
16	CF188-068003	LIMIT SPRING	1
17	CF188-065201	WASHER, DRIVEN SECTOR GEAR	1
18	CF188-065202	SHAFT, DRIVEN SECTOR GEAR	1
19	CF188-065203	DRIVEN SECTOR GEAR	1
20	CF188-065204	WASHER 13.5x22x1	1
21	CF188-065205	TORSION SPRING, DRIVEN SECTOR GEAR	1
22	CF188-065206	WASHER 6.6x20x2	1
23	152MI-013008	BOLT M6x35	1
24	152MI-021017	BOLT M6x25	3
25	152MI-080012	BOLT M6x32	1
26	CF188-065004		1
27	152MI-023010	BOLT M6x20	1
28	CF188-065206	GASKET 6.6x20x2	1
29	CF188-065300	ROCKER ARM, GEARSHIFT	1
30	CF188-065001	COVER, SECTOR GEAR HOUSING	1
31	CF188-065002	OIL SEAL SD 15 25 5	1
32	CF188-065100	WELD PART, DRIVE SECTOR GEAR	1
33	152MI-08008	DOWEL PIN8x14	ATLAS 500cc

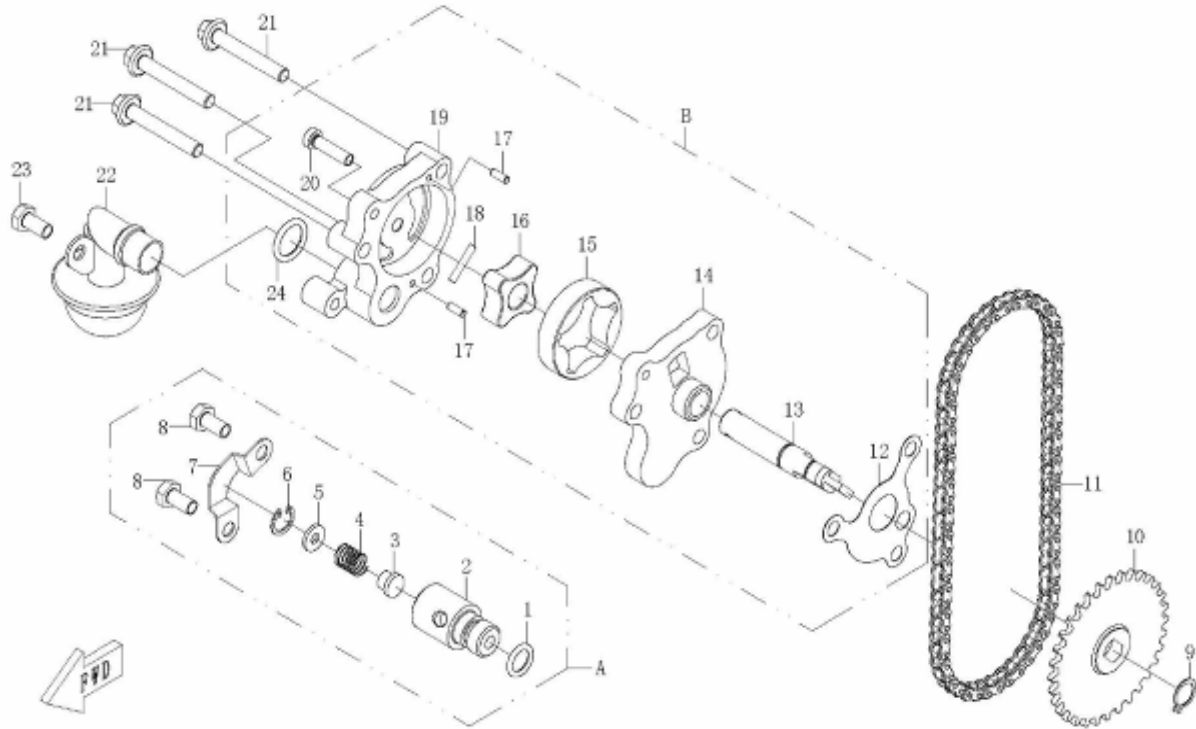


# E14-2 TRANSMISSION III



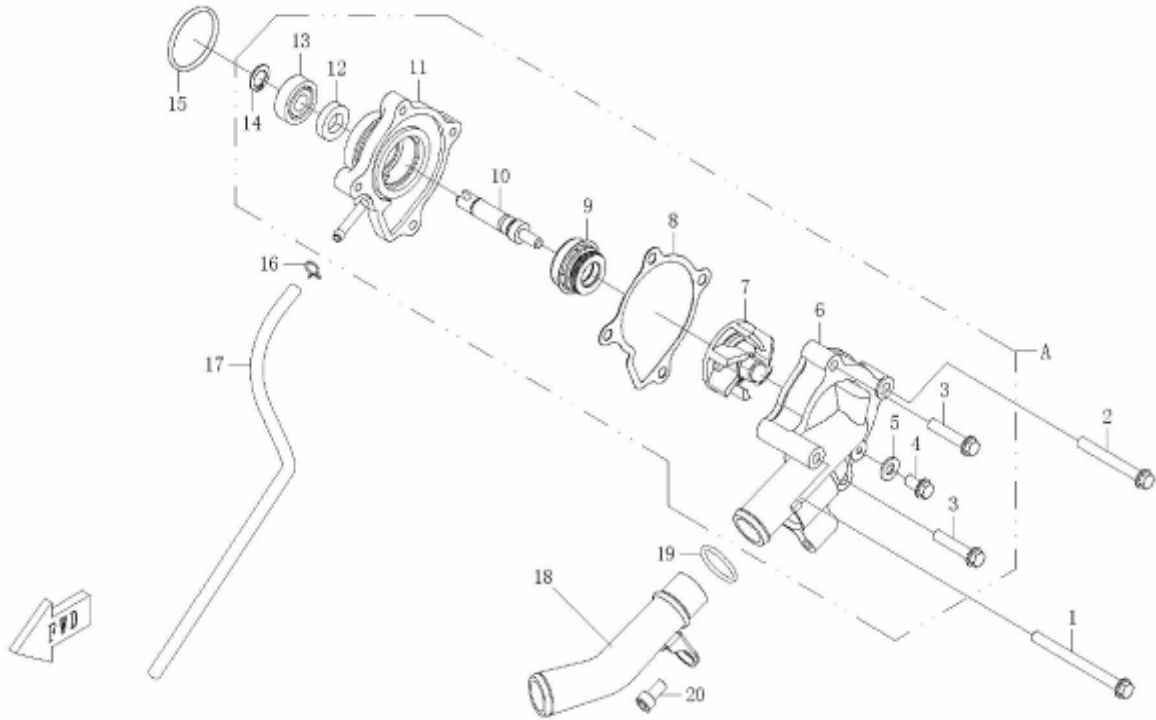
REF NO	PART CODE	DESCRIPTION(EN)	Q'TY
34	CF188-065003	GASKET, SECTOR GEAR HOUSING	1

# E15 OIL PUMP



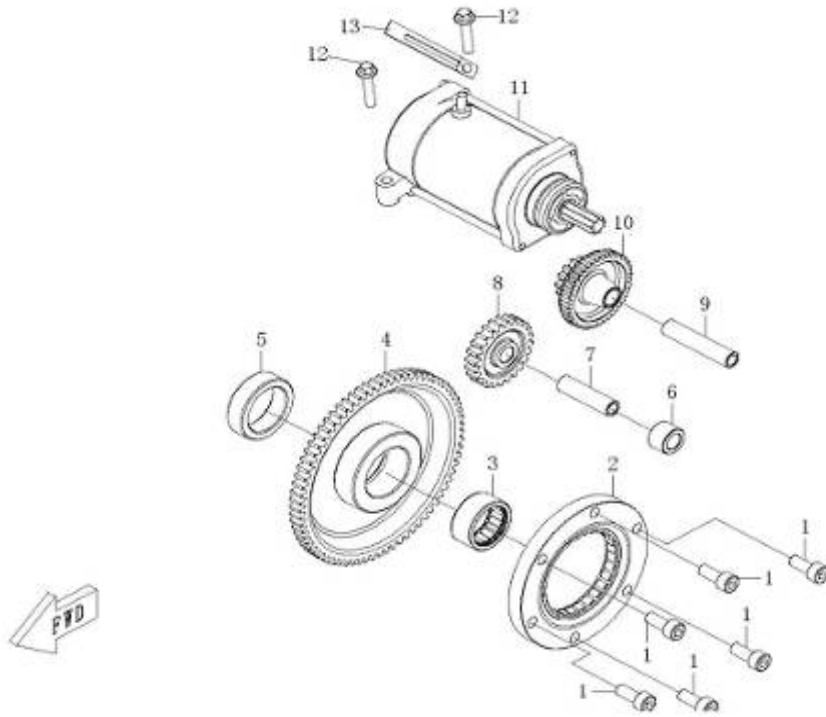
REF NO	PART CODE	DESCRIPTION(EN)	Q'TY
A	CF188-073000	RELIEF VALVE	1
B	CF188-071000	OIL PUMP	1
1	CF188-073002	O-RING 10x2.3	1
2	CF188-073001	RELIEF VALVE BODY	1
3	CF188-073003	OIL PLUG, RELIEF VALVE	1
4	CF188-073004	SPRING RELIEF VALVE	1
5	CF188-073005	SPRING WASHER	1
6	GB/T893.1-1986	RETAINER 12	1
7	CF188-073006	PRESSURE STRIP,RELIEF VALVE	1
8	GB/T5781-2000	BOLT M6x12	2
9	GB/T894.1-1986	RETAINER 11	1
10	CF188-070003	SPROCKET, OIL PUMP	1
11	CF188-074000	CHAIN, OIL PUMP	1
12	CF188-070002	WASHER, OIL PUMP	1
13	CF188-071001	SHAFT, OIL PUMP	1
14	CF188-071002	ROTOR COVER	1
15	CF188-071005	OUTER ROTOR,OIL PUMP	1
16	CF188-071006	INNER ROTOR,OIL PUMP	1
17	CF188-071003	DOWEL PIN	2
18	CF188-071007	STRAIGHT PIN	1
19	CF188-071004	OIL PUMP HOUSING	1
20	GB/T822-2000	SCREW M5x20	1
21	152MI-013009	BOLT M6x40	3
22	CF188-072000	OIL STRAINER	1
23	172MI-090008	BOLT M6x14	1
24	CF188-071008	O-RING 14x2.5	1

# E16 WATER PUMP ASSY.



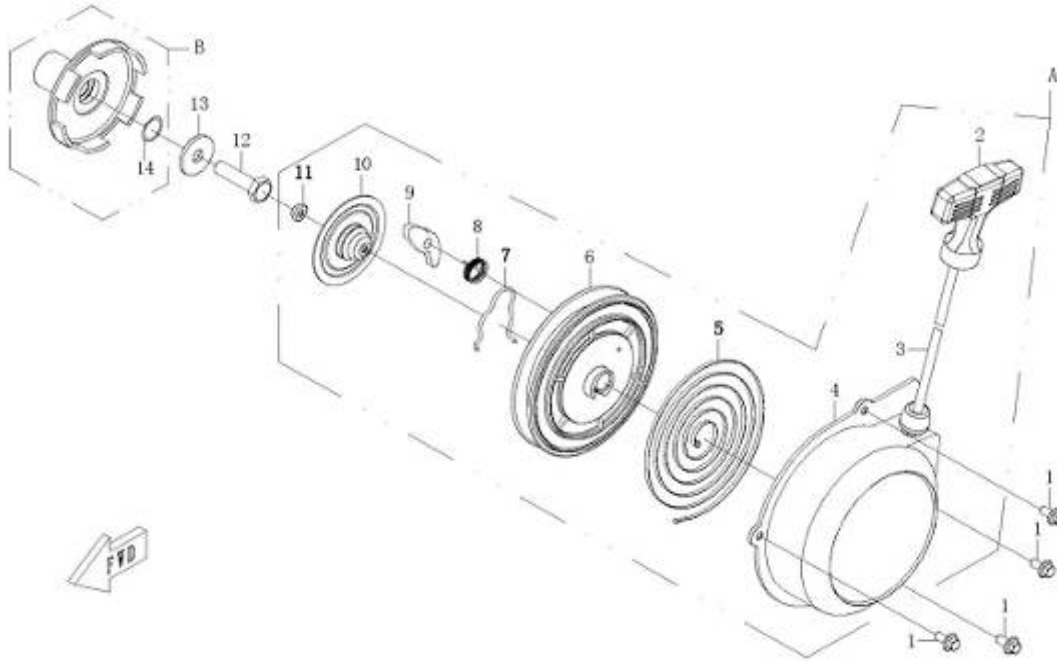
REF NO	PART CODE	DESCRIPTION(EN)	Q'TY
A	CF188-081000	WATER PUMP	1
1	1P52MI-011018	BOLT M6x70	1
2	152MI-013010	BOLT M6x50	1
3	152MI-060012	BOLT M6x30	2
4	152MI-021019	BOLT M6x12	1
5	152MI-060009	WASHER 6	1
6	CF188-081100	WATER PUMP HOUSING COVER	1
7	CF188-081001	IMPELLER	1
8	CF188-081006	GASKET	1
9	152MI-081000	WATER SEAL	1
10	CF188-081004	WATER PUMP SHAFT	1
11	CF188-081002	WATER PUMP HOUSING	1
12	172MM-080005	OIL SEAL 10x20x5	1
13	GB/T276-1994	BEARING 6000	1
14	GB/T894.1-1986	RETAINER 10	1
15	CF188-080002	O-RING 34x2.5	1
16	QC/T621-1999	WIRE CLAMP	1
17	CF188-080003	BREATHER HOSE, WATER PUMP	1
18	CF188-082000	WATER OUTLET PIPE	1
19	CF188-080001	O-RING 21x2.5	1
20	GB/T 70.1-2000	SCREW M6x10	1

# E17 ELECTRIC STARTING



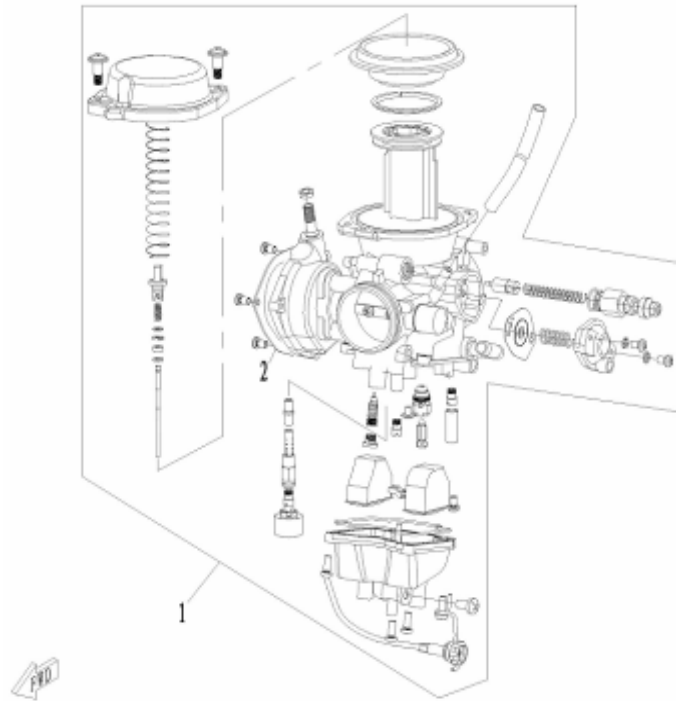
REF NO	PART CODE	DESCRIPTION(EN)	Q'TY
1	GB/T70.1-2000	SCREW M8×20	6
2	CF188-091200	OVERRIDING CLUTCH	1
3	GB/T5801-1994	NEEDLE BEARING	1
4	CF188-091001	DRIVEN GEAR	1
5	CF188-091007	SPACER	1
6	CF188-091003	IDLE GEAR BUSHING	1
7	CF188-091004	IDLE GEAR SHAFT	1
8	CF188-091002	IDLE GEAR	1
9	CF188-091006	AXLE, DUAL GEAR	1
10	CF188-091005	DUAL GEAR	1
11	CF188-091100	STARTING MOTOR	1
12	152MI-060012	BOLT M6×30	2

# E18 RECOIL STARTER



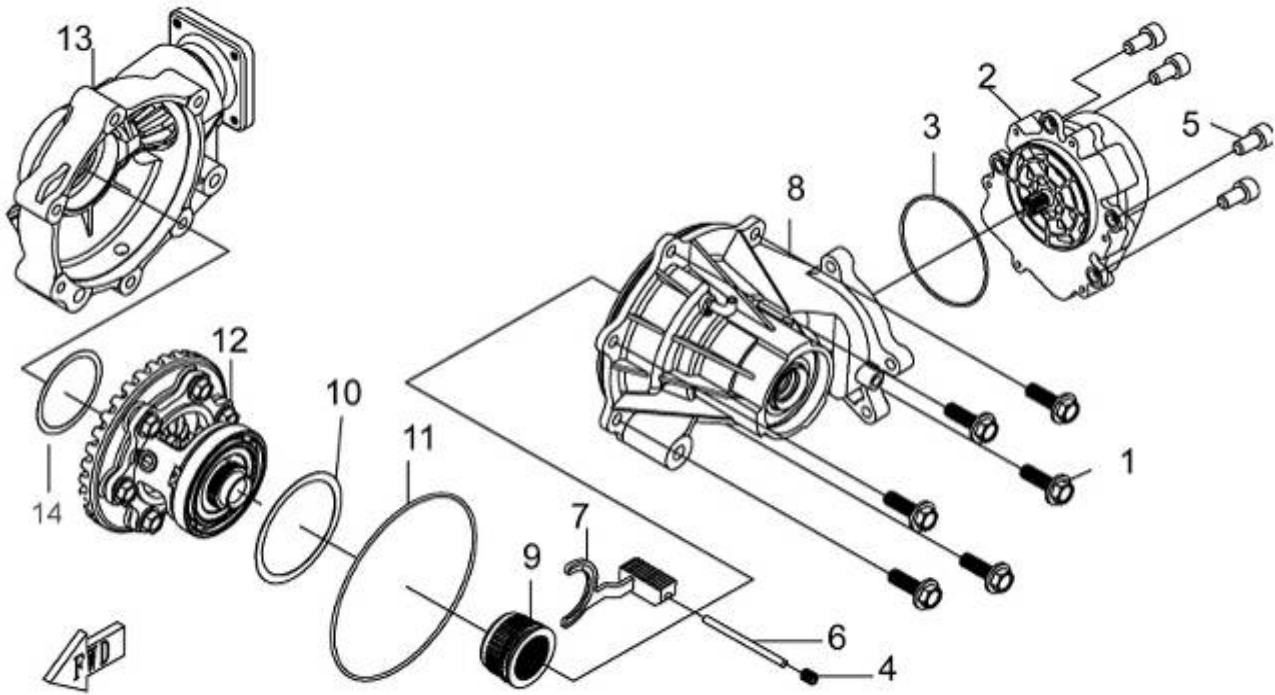
REF NO	PART CODE	DESCRIPTION(EN)	Q'TY
A	CF188-092200	RECOIL STARTER	1
B	CF188-092100	STARTER PULLY	1
1	152MI-021019	BOLT M6x12	4
2	CF188-092300	HANDLE	1
3	CF188-092201	ROPE	1
4	CF188-092220	STARTER HOUSING	1
5	CF188-092202	COIL SPRING	1
6	CF188-092210	SHEAVE DRUM	1
7	CF188-092205	SPRING CLAMP	1
8	CF188-092204	PAWL SPRING	1
9	CF188-092203	PAWL	1
10	CF188-092206	FRICTION PLATE	1
11	GB/T6187.1-2000	NUT M6-Zn.D	1
12	CF188-092001	BOLT M10x1.25x40	1
13	CF188-092002	GASKET 10.2x32x3	1
14	CF188-092102	O-RING 16.1x3.2	1

# E19 CARBURETOR



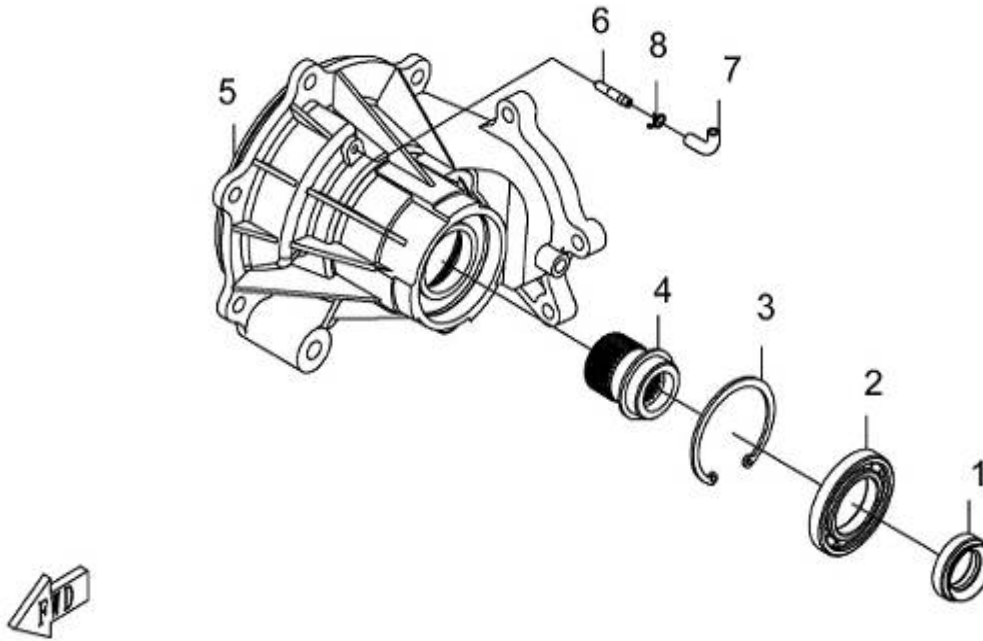
REF NO	PART CODE	DESCRIPTION(EN)	Q'TY
1	CF188-100000	CARBURETOR	1

# E20 FRONT AXLE



REF NO	PART CODE	DESCRIPTION(EN)	Q'TY
1	CF188-310100	BOLT M8x28	6
2	CF188-314000	GEAR MOTOR	1
3	CF188-310001	O-RING 81.2x1.9	1
4	GB/T79-2000	SCREW M8x10	1
5	GB/T70.1-2000	SCREW M8x20	4
6	CF188-310002	SHAFT	1
7	CF188-315000	SHIFT FORK	1
8	CF188-311000	FRONT DIFFERENTIAL GEAR CASE COVER	1
9	CF188-310003	DRIVE CLUTCH	1
10	CF188-310004	ADJUST WASHER83x71	1
11	CF188-310005	O-RING 141x2.4	1
12	CF188-313000	DIFFERENTIAL GEAR ASSEMBLY	1
13	CF188-312000	DIFFERENTIAL GEAR CASE	1
14	CF188-310006	ADJUST WASHER61x48	1

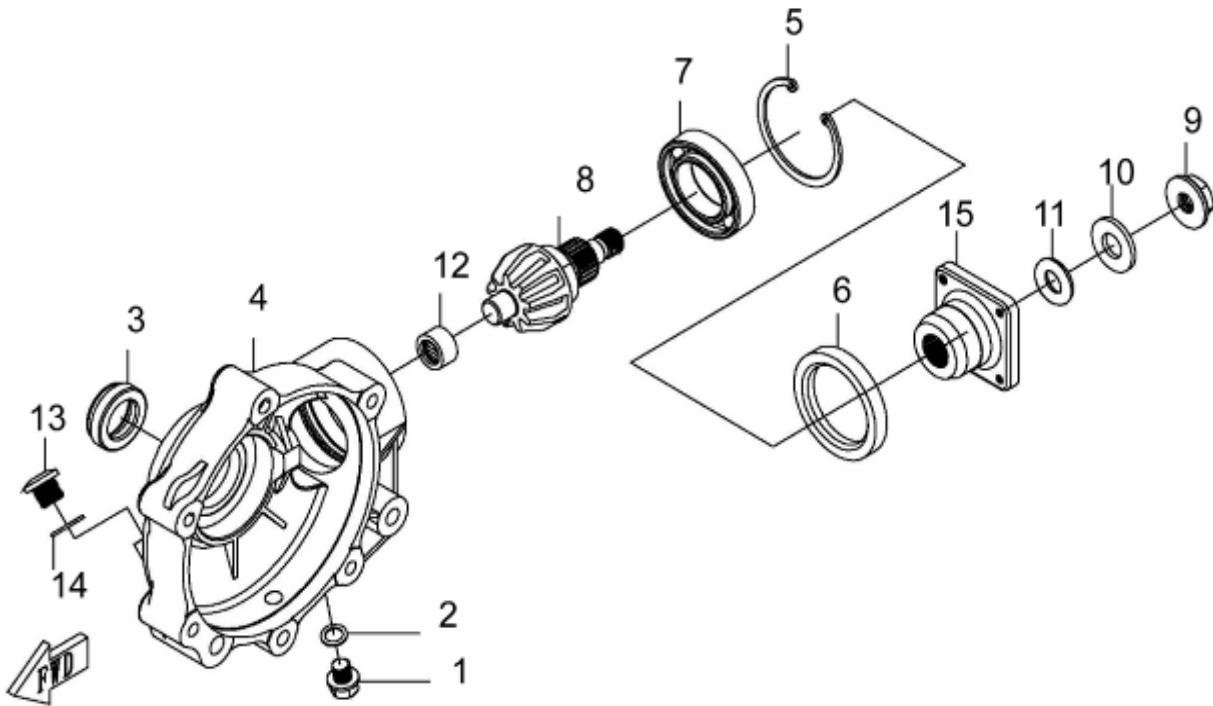
# E21 DIFFERENTIAL GEAR CASE COVER



REF NO	PART CODE	DESCRIPTION(EN)	Q'TY
1	CF188-311001	OIL SEAL 24x38x8	1
2	GB/T276-1994	BEARING 16007	1
3	GB/T893.1-1986	RETAINER 62	1
4	CF188-311003	DRIVE CLUTCH COVER	1
5	CF188-311002	FRONT DIFFERENTIAL GEAR CASE COVER	1
6	CF188-311004	JOINT, BREATHER PIPE	1
7	CF188-332005	BREATHER PIPE	1
8	QC/T621-1999	WIRE CLAMP A7	1

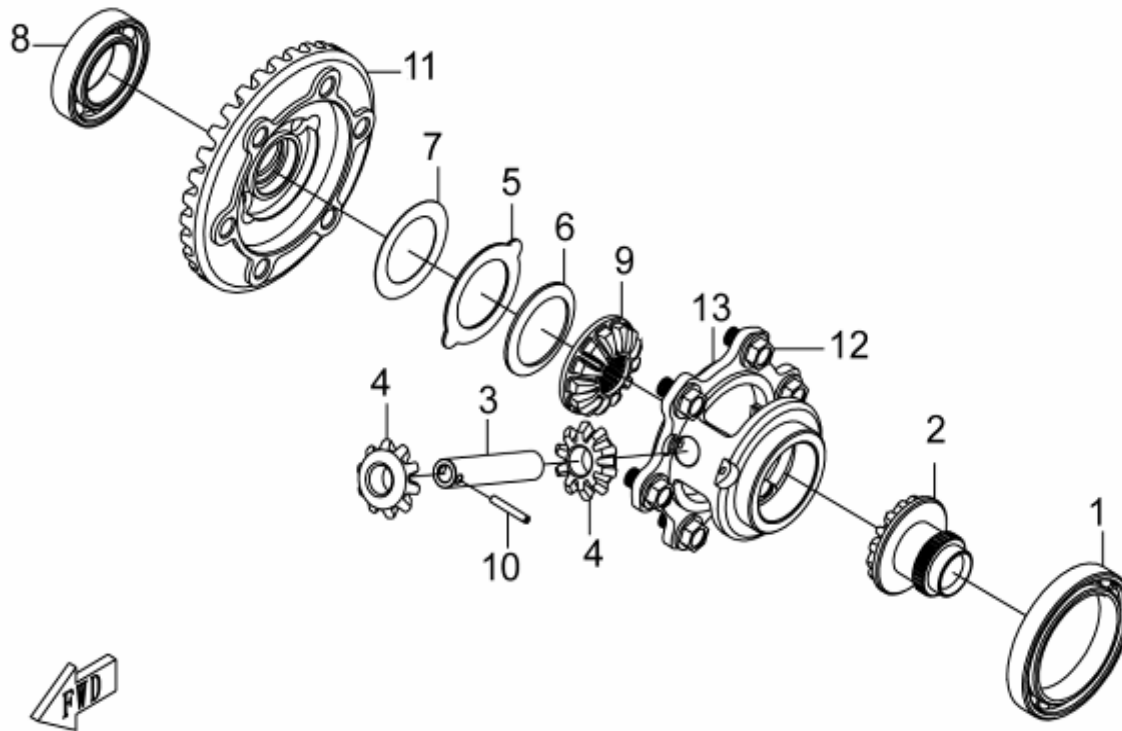


# E22 FRONT AXLE CASE COVER ASSY.



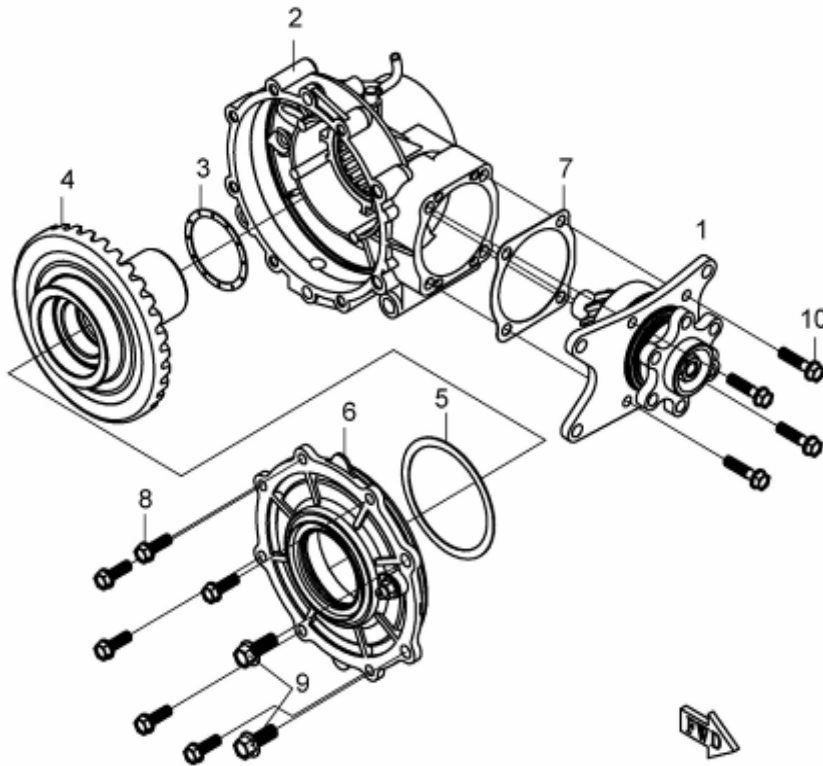
REF NO	PART CODE	DESCRIPTION(EN)	Q'TY
1	152MI-060011	DRAIN BOLT M10x1.25	1
2	152MI-060010	WASHER 10	1
3	CF188-311001	OIL SEAL 24x38x8	1
4	CF188-312001	FRONT DIFFERENTIAL GEAR CASE	1
5	GB/T893.1-1986	RETAINER 62	1
6	CF188-312002	OIL SEAL 48x65x9	1
7	GB/T276-1994	BEARING 6007	1
8	CF188-312003	DRIVE PINION GEAR	1
9	CF188-312004	NUT M14x1.5	1
10	CF188-312005	NUT WASHER	1
11	CF188-312006	O-RING 14x6.8	1
12	NSK F1512	NEEDLE BEARING	1
13	CF188-021008	BOLT M14x1.25x12	1
14	CF188-021007	WASHER 14	1
15	CF188-312007	COUPLER	1

# E23 DIFFERENTIAL GEAR



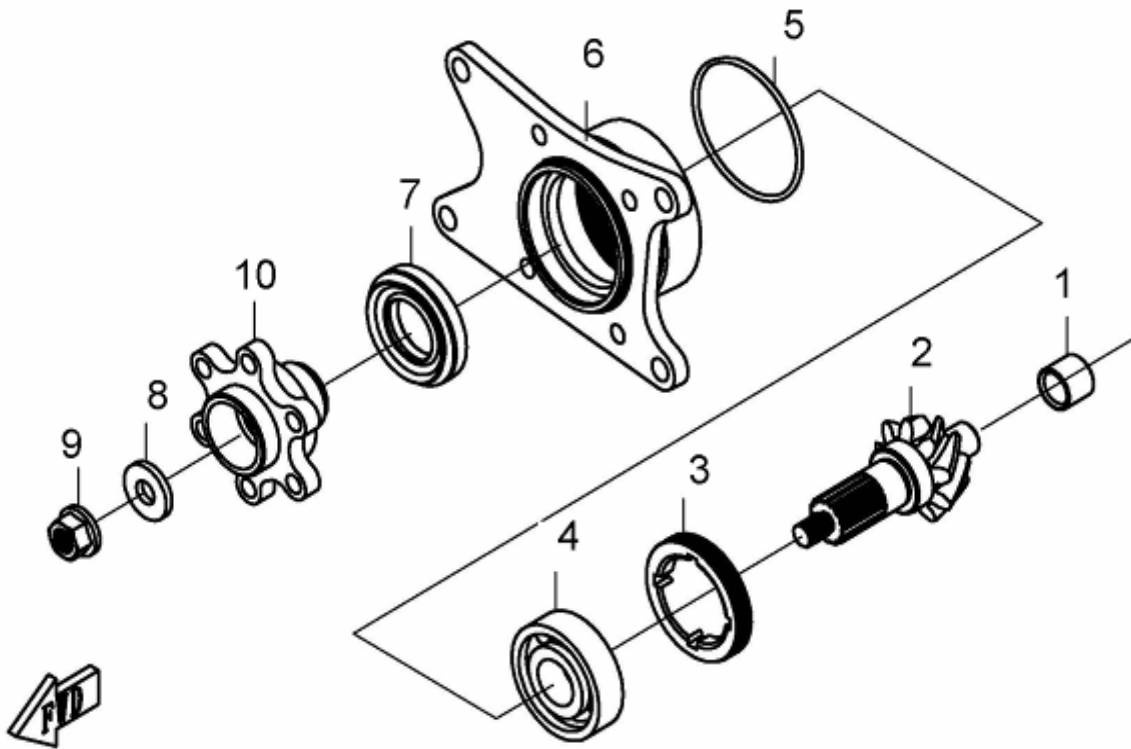
REF NO	PART CODE	DESCRIPTION(EN)	Q'TY
1	GB/T276-1994	BEARING 61912	1
2	CF188-313001	DRIVE GEAR	1
3	CF188-313002	GEAR SHAFT(CENTER), DIFFERENTIAL	1
4	CF188-313003	GEAR(CENTER), DIFFERENTIAL	2
5	CF188-313009	SHIM	1
6	CF188-313005	WASHER	1
7	CF188-313010	ADJUST WASHER	1
8	GB/T276-1994	BEARING 6007	1
9	CF188-313006	DRIVEN GEAR	1
10	CF188-313007	PIN	1
11	CF188-313004	DIFFERENTIAL GEAR	1
12	CF188-313100	BOLT M10x1.25x18	6
13	CF188-313008	SUPPORT, DIFFERENTIAL GEAR	1

# E24 REAR AXLE



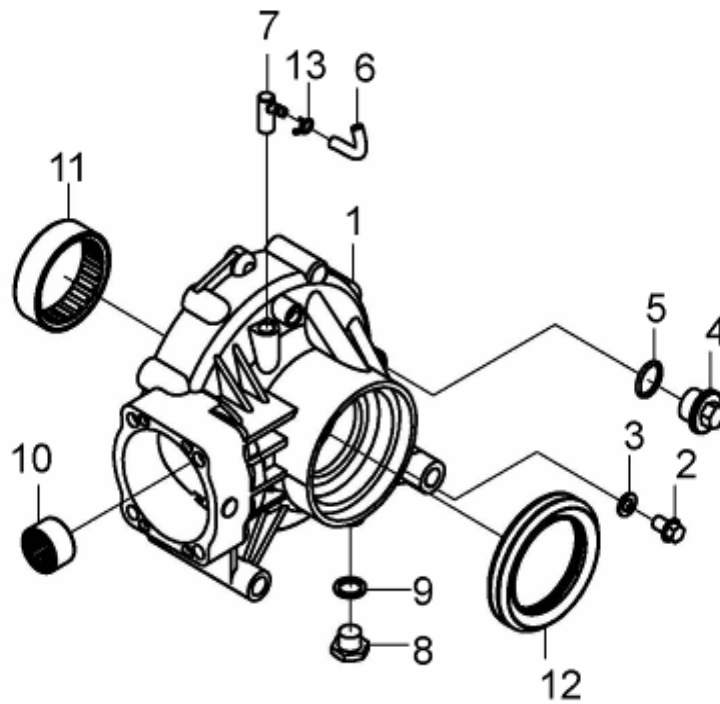
REF NO	PART CODE	DESCRIPTION(EN)	Q'TY
1	CF188-331000	DRIVE BEVEL GEAR ASSEMBLY, REAR AXLE	1
2	CF188-332000	REAR GEAR CASE	1
3	CF188-330001	ADJUST WASHER(1)	1
4	CF188-335000	RING GEAR, REAR AXLE	1
5	CF188-330002	ADJUST WASHER(2)	1
6	CF188-334000	RING GEAR BEARING HOUSING	1
7	CF188-330003	ADJUST GASKET	1
8	GB/T9074.14-1988	BOLT M8x25	6
9	CF188-330004	BOLT M10x1.25x25	2
10	GB/T9074.14-1988	BOLT M8x35	4

# E25 DRIVE BEVEL GEAR ASSEMBLY



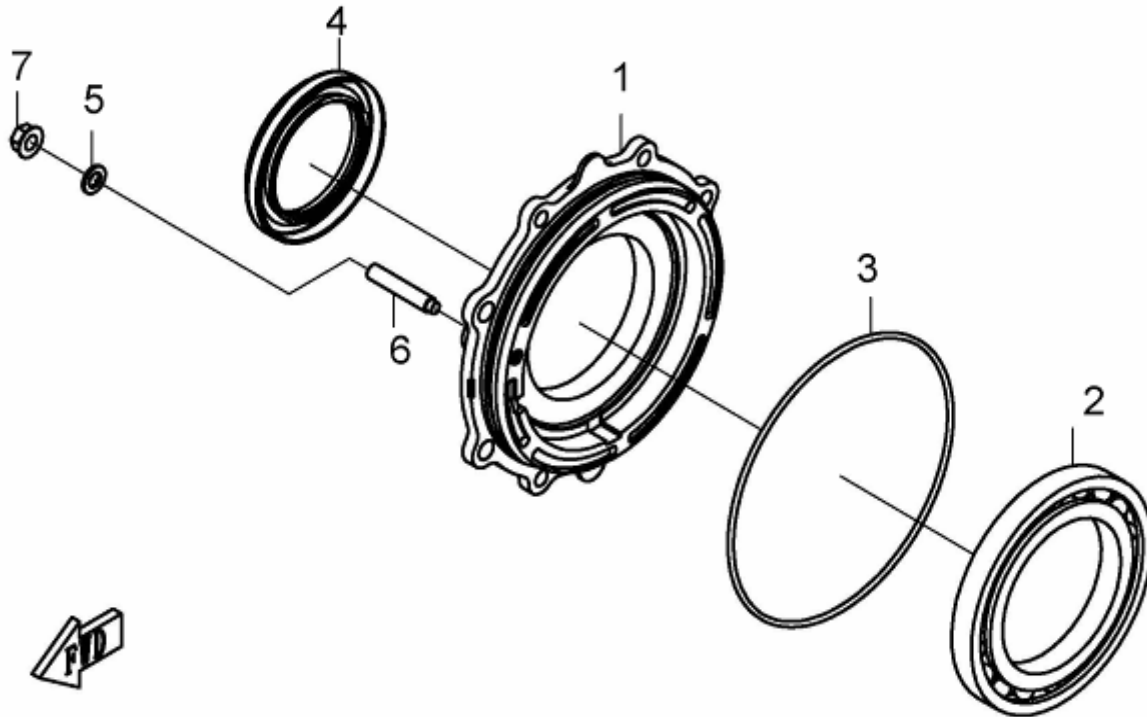
REF NO	PART CODE	DESCRIPTION(EN)	Q'TY
1	NA 5930 17x30x18	INNER RACE	1
2	CF188-331002	DRIVE BEVEL GEAR	1
3	CF188-331003	BEARING RETAINER	1
4	GB/T276-1994	BEARING 6305	1
5	CF188-331004	O-RING 64.5x3	1
6	CF188-331005	BEVEL GEAR BEARING HOUSING	1
7	CF188-331007	OIL SEAL 35x61x9.5(14)	1
8	CF188-331008	WASHER 12.5x30x4	1
9	CF188-331009	NUT M12x1.25	1
10	CF188-331010	COUPLER, REAR AXLE	1

# E26 REAR GEAR CASE.



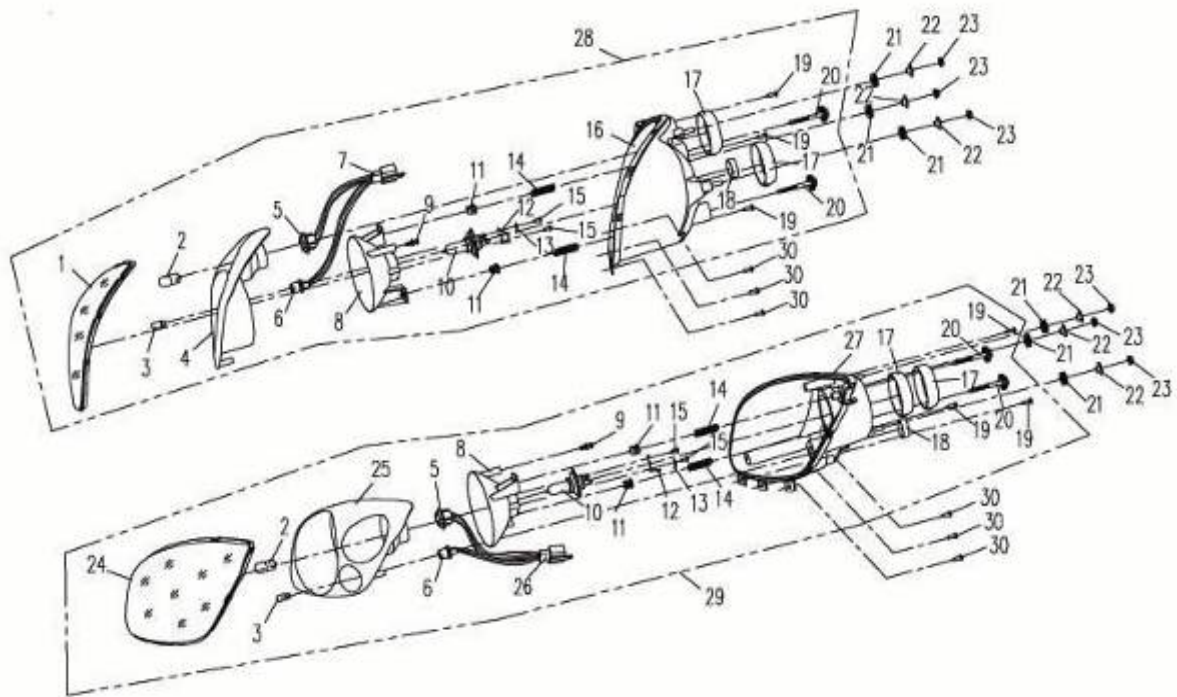
REF NO	PART CODE	DESCRIPTION(EN)	Q'TY
1	CF188-332001	REAR GEAR CASE	1
2	CF188-332002	BOLT M8x12.5	1
3	CF188-334004	WASHER 8.2x15x1.5	1
4	CF188-332003	BOLT M20x1.5x12	1
5	CF188-332004	O-RING 19x2.5	1
6	CF188-332005	BREATHER PIPE	1
7	CF188-332006	PIPE JOINT	1
8	CF188-021008	BOLT M14x1.25x12	1
9	CF188-021007	WASHER 14.5x21x1.5	1
10	NA5903 17x30x18	OUTER RACE	1
11	55BTM6720A	NEEDLE BEARING 55BTM6720A	1
12	CF188-334003	OIL SEAL SD4 65x90x9 NS	1
13	QC/T621-1999	WIRE CLAMP A7	1

## E27 RING GEAR BEARING HOUSING



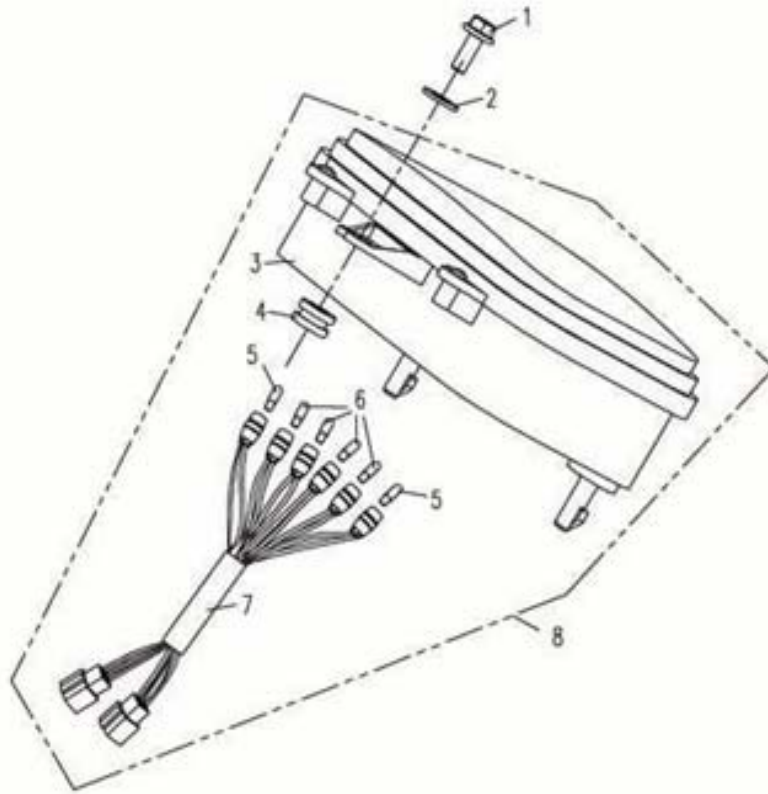
REF NO	PART CODE	DESCRIPTION(EN)	Q'TY
1	CF188-334001	REAR GEAR BEARING HOUSING	1
2	GB/T276-1994	BEARING 16017/C2	1
3	CF188-334002	O-RING 151x3	1
4	CF188-334003	OIL SEAL SD4 65x90x9 NS	1
5	CF188-334004	GASKET 8.2x15x1.5	1
6	CF188-334005	HEX SCREW M8x45	1
7	CF188-334006	NUT M8	1

# F1 HEAD LIGHT



REF NO	PART CODE	DESCRIPTION(EN)	Q'TY
1	901-16.02.11	HEADLIGHT COVER(RH)	1
2	GB15766.1 12V21W	BULB	2
3	GB15766.1 12V5W	BULB	2
4	901-16.02.12	REFLECTOR,FR. TURNING INDICATOR (RH)	1
5	901-16.02.13	SOCKET,FRONT TURNING INDICATOR	2
6	901-16.02.14	SOCKET,PARKING INDICATOR	2
7	901-16.02.15	HARNES, HEADLIGHT (RH)	1
8	901-16.02.16	REFLECTOR,HEADLIGHT	2
9	901-16.02.17	BUTTONHEAD SCREW	2
10	GB15766.1 12V35W	BULB	2
11	901-16.02.18	NYLON NUT	4
12	901-16.02.19	CIRCLIP	2
13	901-16.02.21	WASHER	2
14	901-16.02.22	SPRING	4
15	GB845 ST4.2x13	TAPPING SCREW ST4.2X13	4
16	901-16.02.22	HOUSING, HEADLIGHT(RH)	1
17	901-16.02.23	DUST COVER (BIG)	4
18	901-16.02.24	DUST COVER (SMALL)	2
19	GB845 ST4.2x16	TAPPING SCREW ST4.2X16	6
20	901-16.02.25	ADJUSTING SCREW	4
21	901-16.01.01	RUBBER CUSHION,HEADLIGHT	6
22	901-16.01.02	STEEL COLLAR,HEADLIGHT	6
23	GB6177 M6	NUT M6	6
24	901-16.01.11	HEADLIGHT COVER(LH)	1
25	901-16.01.12	REFLECTOR,FR. TURNING INDICATOR (LH)	1
26	901-16.01.15	HARNES, HEADLIGHT (LH)	1
27	901-16.01.22	HEADLIGHT HOUSING(LH)	1
28	901-16.02.10	HEADLIGHT (RH)	1
29	901-16.01.10	HEADLIGHT (LH)	1
30	GB845 ST4.8x13-HF	TAPPING SCREW ST4.2X16	6

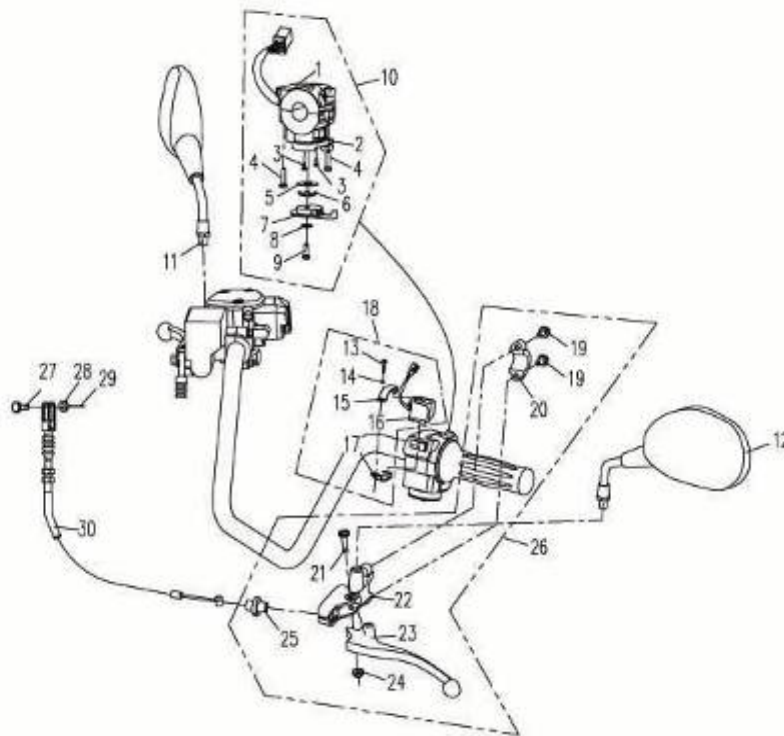
## F2 DASHBOARD



REF NO	PART CODE	DESCRIPTION(EN)	Q'TY
1	GB5789 M6x16	BOLT,M6x16	1
2	GB5278 6	WASHER	1
3	901-17.01.11	HOUSING, DASHBOARD	1
4	901-17.01.12	RUBBER	1
5	GB15766.1 12V 3.4W	BULB	2
6	GB15766.1 12V 1.7W	BULB	4
7	901-17.01.13	HARNESS, DASHBOARD	1
8	901-17.01.10	DASHBOARD	1

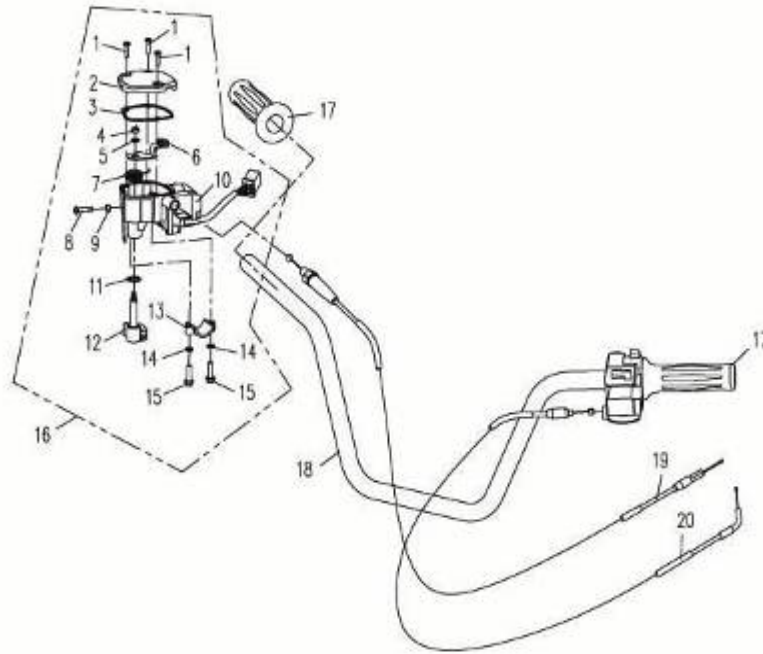


# F3 HANDLEBAR I



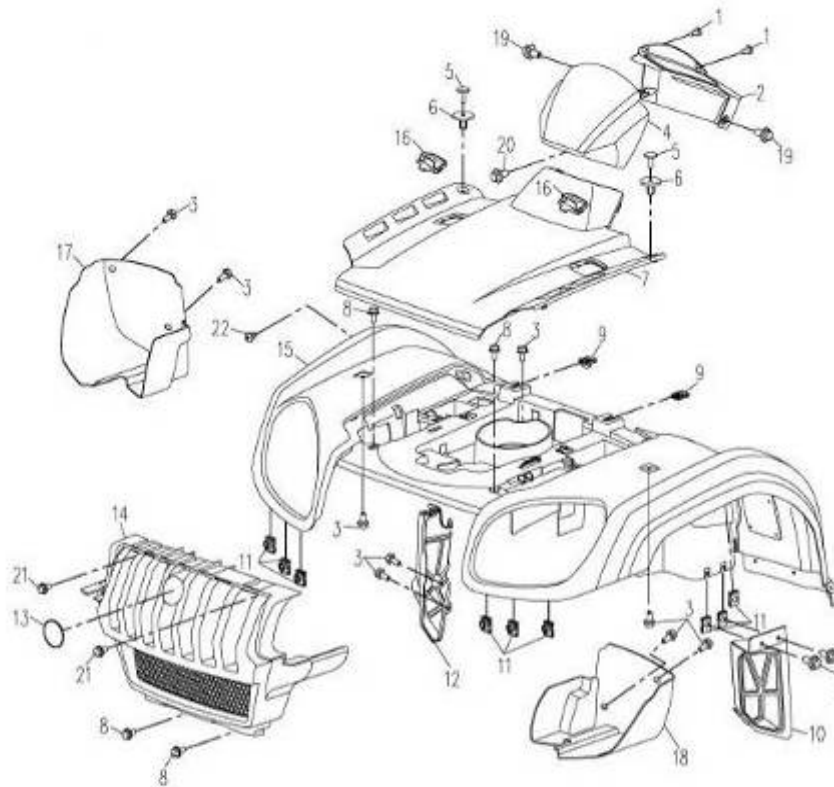
REF NO	PART CODE	DESCRIPTION(EN)	Q'TY
1	910-16.06.10	HANDLEBAR SWITCH (LH)	1
2	910-16.06.01	SEAT, CHOKE	1
3	GB818 M3x6	SCREW M3x6	2
4	GB818 M5x20	SCREW M5x20	2
5	910-16.06.02	WASHER	1
6	910-16.06.03	REED	1
7	910-16.06.04	LEVER, CHOKE	1
8	GB97.1 6	WASHER	1
9	GB818 M5x15	SCREW M5x15	2
10	910-16.06.00	HANDLEBAR SWITCH (LH)	1
11	519-20.30.00	REAR VIEW MIRROR(RH)	1
12	519-20.20.00	REAR VIEW MIRROR(LH)	1
13	GB818 M3x12	SCREW M3x12	1
14	GB93 3	SPRING WASHER	1
15	901-15.04.01	TOP BRACKET,STARTING SWITCH	1
16	901-15.04.02	STARTING SWITCH HOUSING	1
17	901-15.04.03	BOTTOM BRACKET,STARTING SWITCH	1
18	901-15.04.00	STARTING SWITCH	1
19	GB5787 M6x22	BOLT M6x22	2
20	901-08.02.51	REAR BRACKET,BRAKE LEVER	1
21	901-08.02.52	MOUNTING BOLT,BRAKE LEVER	1
22	901-08.02.53	FRONT BRACKET,BRAKE LEVER	1
23	901-08.02.54	BRAKE LEVER	1
24	GB6187 M6	NUT M6	1
25	901-08.02.55	NUT COLLAR	1
26	901-08.02.50	LEVER,INTERLOCKING BRAKE	1
27	GB882 6x20	PIN	1
28	GB97.1 6	WASHER	1
29	GB91 1.6x20	COTTER PIN	1
30	901-08.02.30	INTERLOCKING BRAKE CABLE	1

# F4 HANDLEBAR II



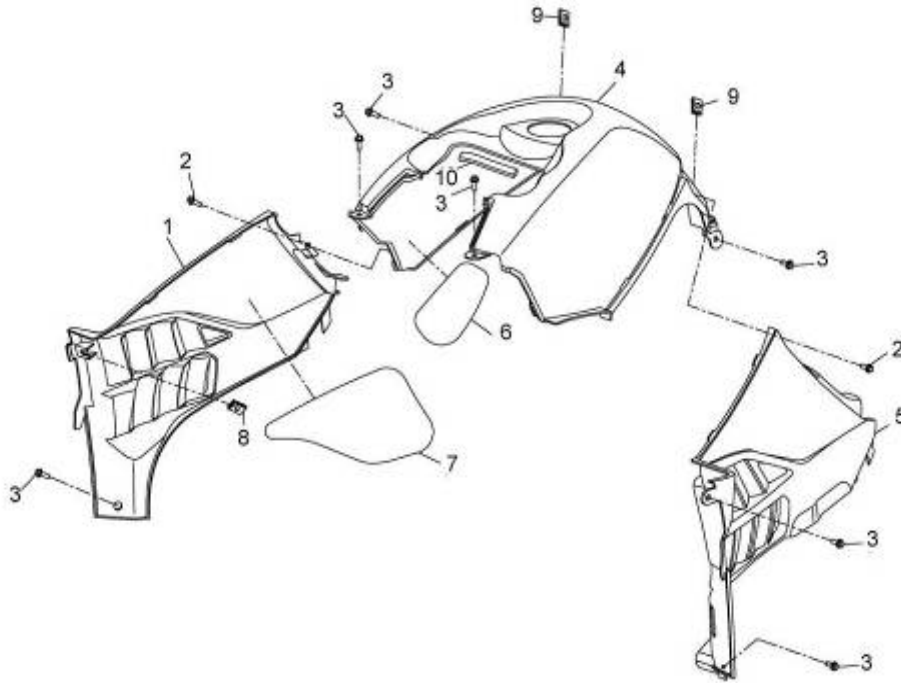
REF NO	PART CODE	DESCRIPTION(EN)	Q'TY
1	GB818 M4x16	SCREW , M4x16	3
2	901-16.07.01	TOP BRACKET,HANDLEBAR SWITCH(RH)	1
3	901-16.07.02	SEAL RING	1
4	GB6187 M5	NUT M5	1
5	GB97.1 5	WASHER	1
6	901-16.07.03	CABLE ROCKER	1
7	901-16.07.04	TORSION SPRING	1
8	GB818 M5x20	SCREW , M5x20	1
9	GB6176 M5	NUT M5	1
10	901-16.07.05	HANDLEBAR SWITCH HOUSING(RH)	1
11	901-16.07.06	WASHER	1
12	901-16.07.07	THROTTLE LEVER	1
13	901-16.07.08	BOTTOM BRACKET,HANDLEBAR SWITCH(RH)	1
14	GB93 3	SPRING WASHER	2
15	GB5787 M5x20	BOLT M5x20	2
16	901-16.07.00	HANDLEBAR SWITCH (RH)	1
17	519-10.00.01	LEFT GRIP	2
18	901-03.00.90	HANDLEBAR	1
19	901-10.05.10	THROTTLE CABLE	1
20	901-10.05.20	CHOKE CABLE	1

# F5 PLASTIC I



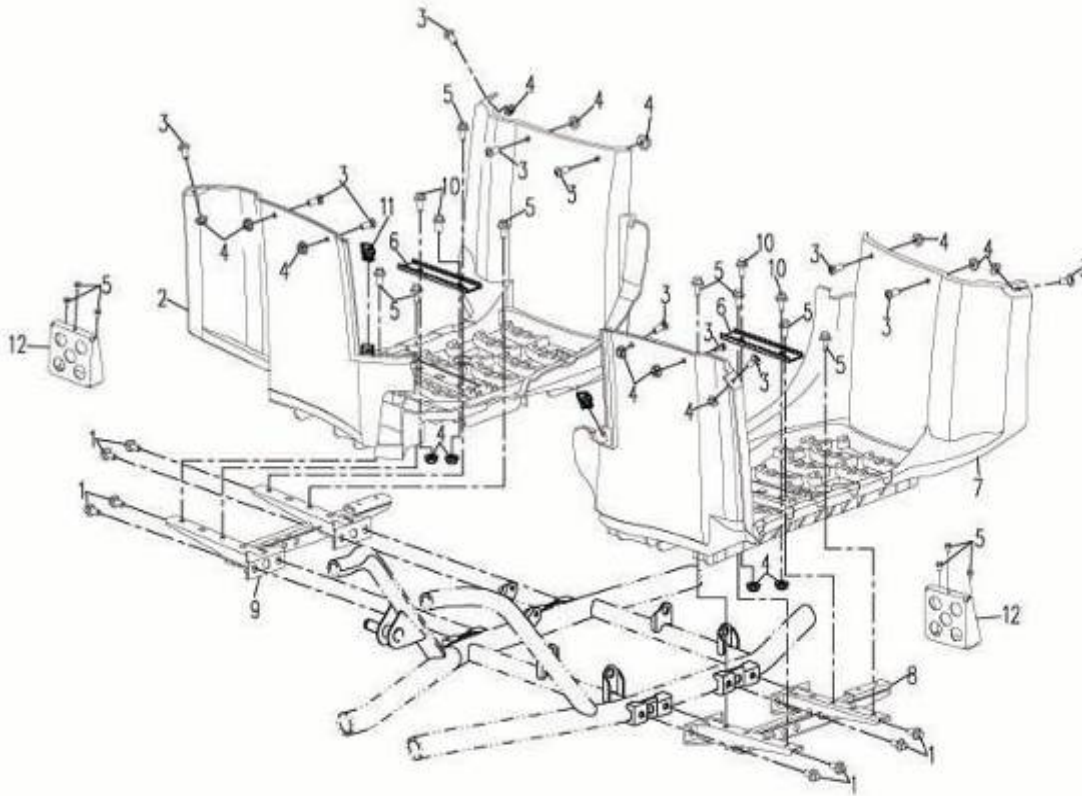
REF NO	PART CODE	DESCRIPTION(EN)	Q'TY
1	GB845 ST4.2x13(dk=9.2)	TAPPING SCREW	2
2	901-04.00.06	REAR COVER,DASHBOARD	1
3	GB5789 M6x12	BOLT M6x12	11
4	901-04.00.05	FRONT COVER ,DASHBOARD	1
5	901-04.00.31	EXPANSION SCREW	2
6	901-04.00.33	SEAT, EXPANSION SCREW (BLACK X2)	2
7	901-04.00.04	FRONT TOP COVER	1
8	CF250T-340002	BOLT M6x14	4
9	803-04.08.00	NUT CLAMP M6	7
10	901-04.00.26	FRONT INNER FENDER(LH)	1
11	CF250T-33310007	CLAMP ST4.2	6
12	901-04.00.25	FRONT INNER FENDER(RH)	1
13	901-19.00.09	LABLE, LOGO	1
14	901-04.00.02	FRONT VENT GRILLE	1
15	901-04.00.03	FRONT FENDER	1
16	901-04.00.43	BOLT CAP	2
17	901-04.00.38	HEADLIGHT GUARD (RH)	1
18	901-04.00.37	HEADLIGHT GUARD (LH)	1
19	GB9074.1 M6x12	BOLT M6x12	2
20	GB9074.1 M6x16	BOLT M6x16	1
21	GB5789 M6x16	BOLT M6x16	2
22	GB845 ST4.8x16	TAPPING SCREW	1

# F6 PLASTIC II



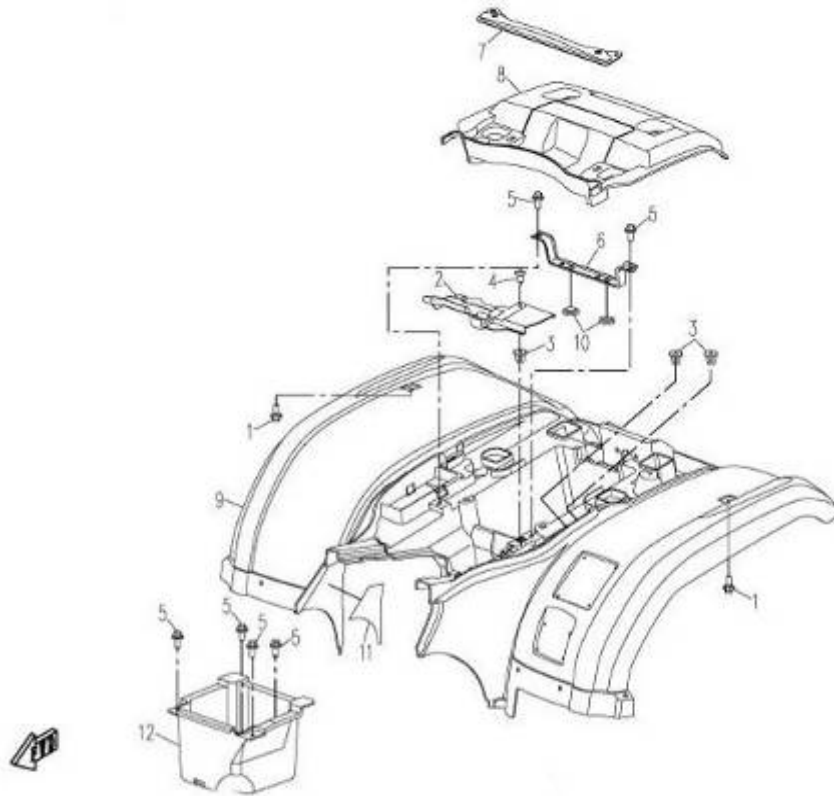
REF NO	PART CODE	DESCRIPTION(EN)	Q'TY
1	901-04.00.12 A	SIDE PANEL(RH)	1
2	GB5789 M6x16	BOLT M6x12	2
3	GB5789 M6x12	BOLT M6x12	7
4	901-04.00.07	TOP COVER,FUEL TANK	1
5	901-04.00.11 A	SIDE PANEL(LH)	1
6	901-04.00.34	HEAT INSULATION PAPER,RIGHT SIDE PANEL	1
7	901-04.00.35	HEAT INSULATION PAPER,FUEL TANK	1
8	CF250T-340007	CLAMP ST4.2	1
8	803-04.08.00	NUT CLAMP M6	1
10	901-04.00.44	SPONGE ,FUEL TANK TOP COVER	1

# F7 PLASTIC III



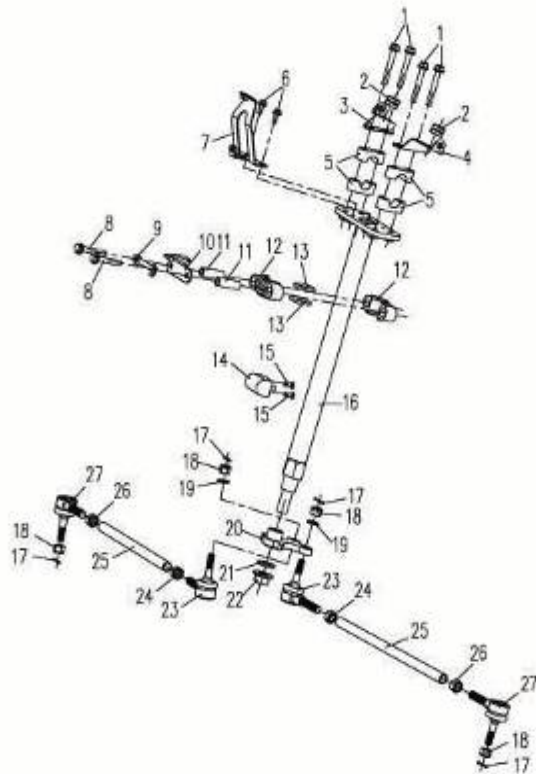
REF NO	PART CODE	DESCRIPTION(EN)	Q'TY
1	GB5789 M8x14	BOLT M8x14	8
2	901-04.00.09 A	FOOTREST BOARD(RH)	1
3	GB9074.1 M6x16	SCREW M6X16	12
4	GB6177 M6	NUT M6	16
5	GB5789 M6x12	BOLT M6x12	2
6	901-03.00.07	JAG, FOOTREST BOARD	2
7	901-04.00.08 A	FOOTREST BOARD(LH)	1
8	901-03.00.20 A	BRACKET,FOOTREST BOARD(LH)	1
9	901-03.00.80 A	BRACKET,FOOTREST BOARD(RH)	1
10	CF250T-340002	BOLT M6x14	4
11	803-04.08.00	NUT CLAMP M6	2
12	901-03.00.10 A	BRACKET, REAR FOOTREST	2

# F8 PLASTIC IV



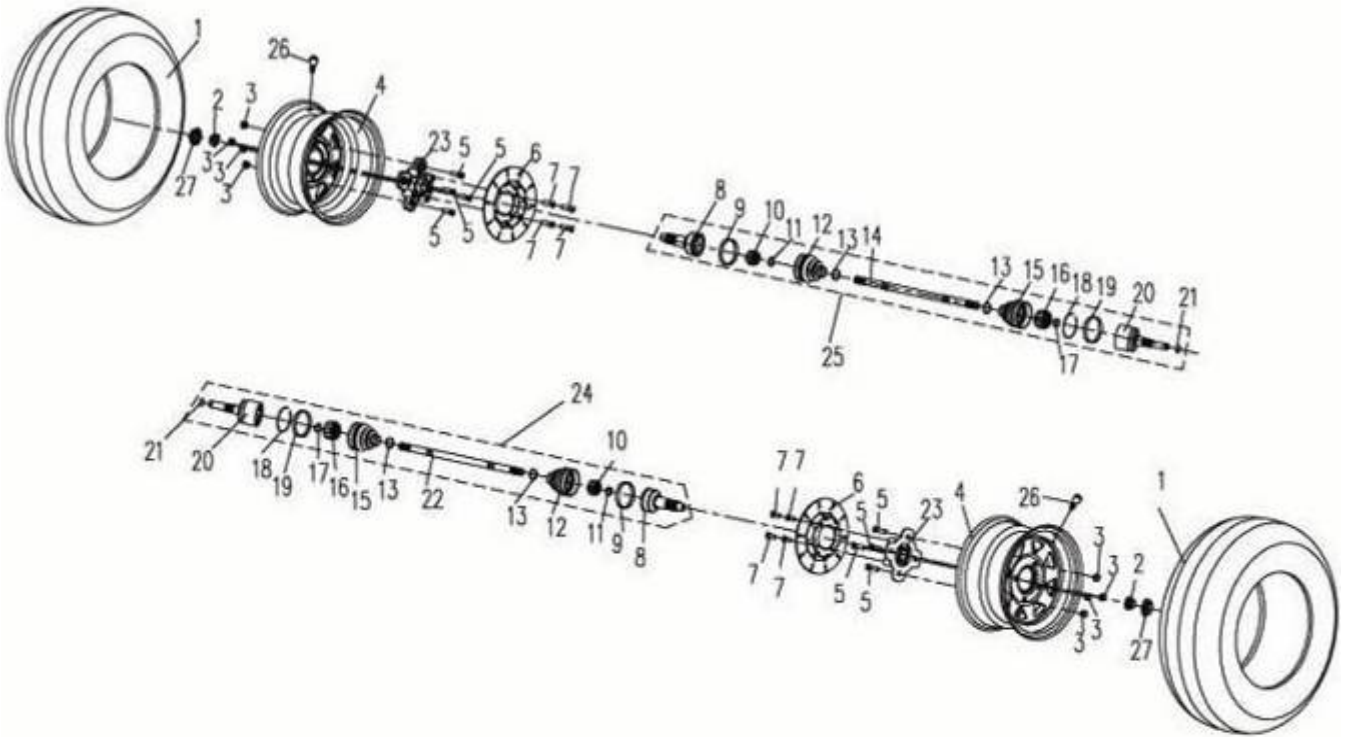
REF NO	PART CODE	DESCRIPTION(EN)	Q'TY
1	GB5789 M6x12	BOLT M6x12	2
2	901-04.00.41	BATTERY COVER	1
3	901-04.00.32	SCREW BRACKET 1(WHITE)	1
4	GB845 ST4.8x16	TAPPING SCREW	1
5	CF250T-340002	BOLT M6x14	4
6	901-03.00.04	FIXING PLATE, BATTERY	1
7	901-03.00.70	SEAT BRACKET	1
8	901-04.00.14	REAR TOP COVER	1
9	901-04.00.13	REAR FENDER	1
10	901-03.00.05	RUBBER MAT,BATTERY FIXING PLATE	2
11	901-04.00.36	HEAT INSULATION PAPER,REAR FENDER	1
12	901-04.00.02 A	STORAGE COMPARTMENT	1

# F9 STEERING SYSTEM



REF NO	PART CODE	DESCRIPTION(EN)	Q'TY
1	GB5789 M8x55	BOLT, M8x55	4
2	50203100001	RUBBER,FRONT LICENSE PLATE BRACKET	2
3	901-03.00.10	BRACKET (RH), DASHBOARD	1
4	901-03.00.60	BRACKET (LH), DASHBOARD	1
5	901-03.00.06	ALUM. COVER, HANDLEBAR	4
6	GB5789 M6x12	BOLT M6x12	2
7	901-03.00.30	FRONT BRACKET, DASHBOARD	1
8	GB5782 M8x50	BOLT M8x50	2
9	901-10.04.03	LOCK PAD	1
10	901-10.04.10	ADAPTER PLATE	1
11	901-10.04.02	BUSH	2
12	901-10.04.01	BUSHING,STEERING STEM	2
13	901-10.04.04	SEAL RING	2
14	901-01.02.10	STEERING LOCK	1
15	GB819 M6x12	SCREW M6x12	2
16	901-03.71.00	STEERING STEM	1
17	GB91 2.0x16	COTTER PIN	4
18	GB9457 M10x1.25	NUT M10x1.25	4
19	GB97.1 10	WASHER	2
20	901-10.00.01	PITMAN ARM	1
21	GB97.1 14	WASHER	1
22	GB6187 M14x1.25	NUT M14x1.25	1
23	901-10.05.37	STEERING KNUCKLE I	2
24	GB6176 M12x1.5	NUT M12x1.5	2
25	901-10.05.36	TIE-ROD	2
26	GB6176 M12x1.5	NUT M12x1.5	2
27	901-10.05.38	STEERING KNUCKLE II	2

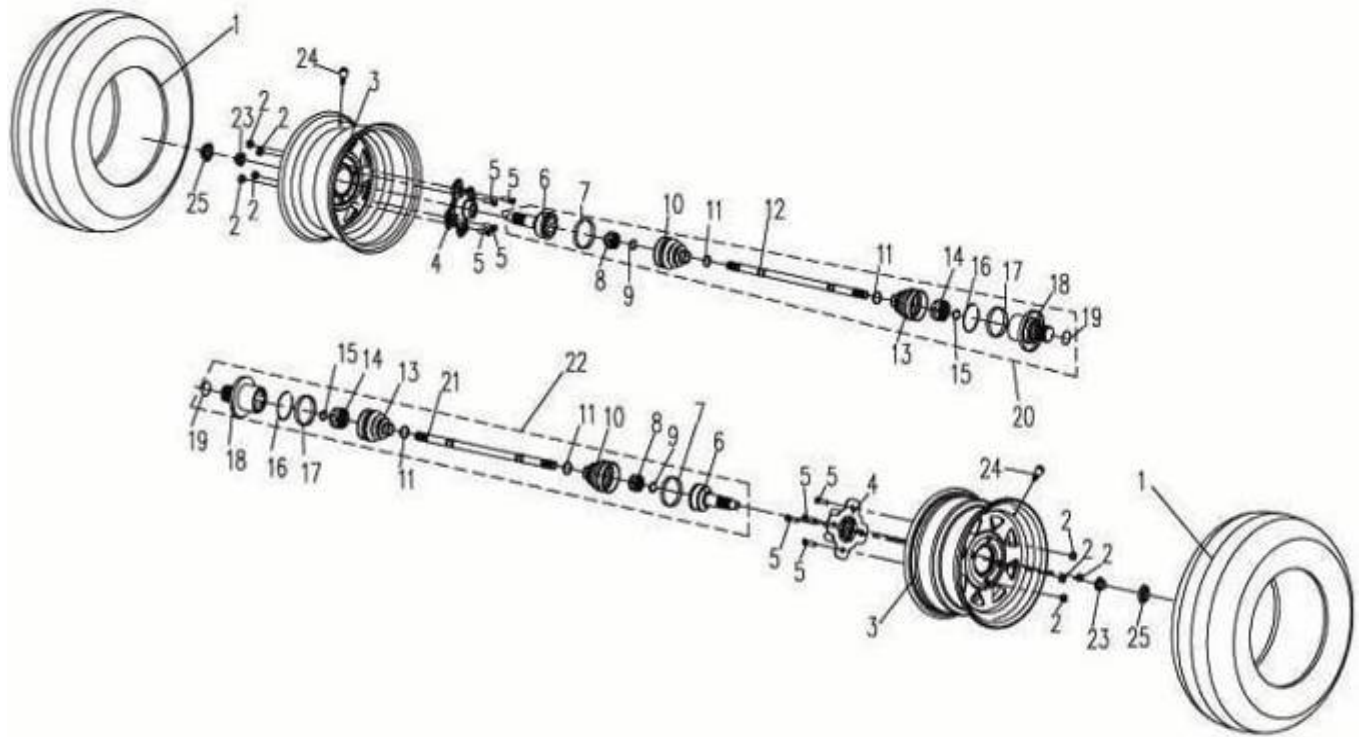
# F10 FRONT WHEEL ASSY



REF NO	PART CODE	DESCRIPTION(EN)	Q'TY
1	25x8.0-12	FRONT TYRE	2
2	901-07.00.03	NUT ,RIM SHAFT	4
3	901-07.00.02	MOUNTING NUT,RIM	8
4	901-07.01.00	FRONT RIM	2
5	901-07.02.01	BOLT,FRONT WHEEL SUPPORT	8
6	901-08.00.01	FRONT BRAKE DISC	2
7	901-08.00.03	BOLT ,FRONT BRAKE DISC	8
8	CF188-344100	RZEPPA CONSTANT VELOCITY JOINT	2
9	CF188-344001	BIG CLAMP,FIXED END	2
10	CF188-344200	BEARING,FIXED END	2
11	CF188-344002	WIRE CLAMP I	2
12	CF188-344003	DUST BOOT,FIXED END	2
13	CF188-344004	SMALL CLAMP,FIXED END	4
14	CF188-342001	FRONT SHAFT(RH)	1
15	CF188-344006	DUST BOOT,MOTION END	2
16	CF188-344300	BEARING,MOTION END	2
17	CF188-344007	SPACING SHIM	2
18	CF188-344008	WIRE CLAMP II	2
19	CF188-344009	BIG CLAMP,MOTION END	2
20	CF188-341100	RZEPPA UNIVERSAL JOINT, AXIAL	2
21	CF188-344011	WIRE CIRCLIP	2
22	CF188-341001	FRONT SHAFT(LH)	1
23	901-07.00.01	MOUNTING SUPPORT,FRONT WHEEL	2
24	CF188-341000	DRIVE SHAFT(LH),FRONT AXLE	1
25	CF188-342000	DRIVE SHAFT(RH),FRONT AXLE	1
26	519-07.00.30	INFLATION VALVE	2
27	901-04.00.29	WHEEL CAP	2

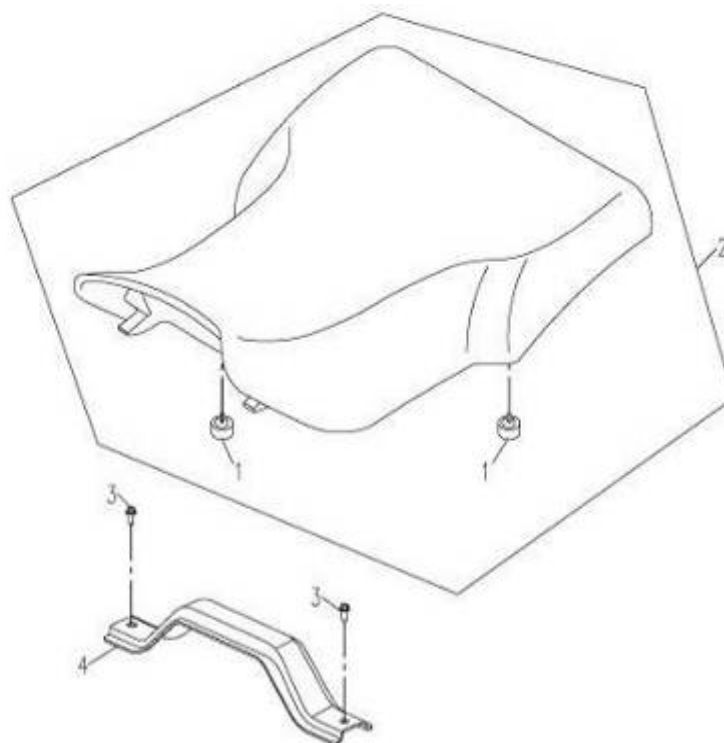


# F11 REAR WHEEL ASSY



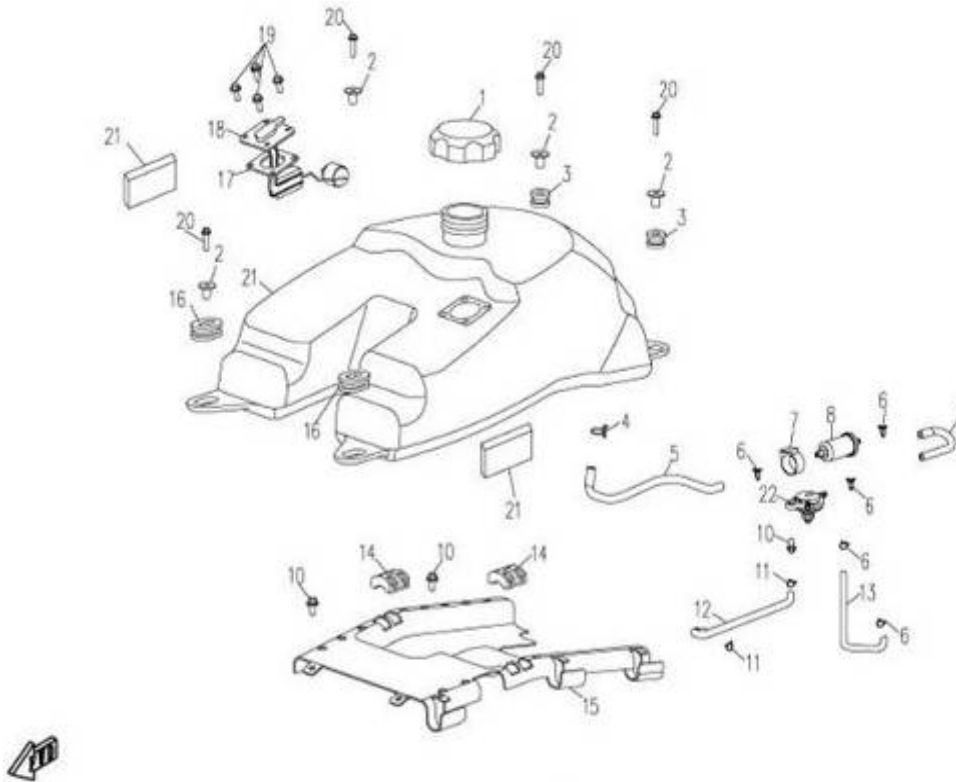
REF NO	PART CODE	DESCRIPTION(EN)	Q'TY
1	25x10.0-12	REAR TYRE	2
2	901-07.00.02	MOUNTING NUT,RIM	8
3	901-11.01.00	REAR RIM	2
4	901-11.00.01	MOUNTING SUPPORT, REAR WHEEL	2
5	901-07.02.01	BOLT,REAR WHEEL SUPPORT	8
6	CF188-344100	RZEPPA UNIVERSAL JOINT	2
7	CF188-344001	BIG CLAMP,FIXED END	2
8	CF188-344200	BEARING,FIXED END	2
9	CF188-344002	WIRE CLAMP I	2
10	CF188-344003	DUST BOOT,FIXED END	2
11	CF188-344004	SMALL CLAMP,FIXED END	4
12	CF188-344005	REAR SHAFT(RH)	1
13	CF188-344006	DUST BOOT,MOTION END	2
14	CF188-344300	BEARING,MOTION END	2
15	CF188-344007	SPACING SHIM	2
16	CF188-344008	WIRE CLAMP II	2
17	CF188-344009	BIG CLAMP,MOTION END	2
18	CF188-344400	RZEPPA UNIVERSAL JOINT, AXIAL	2
19	CF188-344011	WIRE CIRCLIP	2
20	CF188-344000	DRIVE SHAFT(RH),REAR AXLE	1
21	CFF188-343001	REAR SHAFT(LH)	1
22	CFF188-343000	DRIVE SHAFT(LH),REAR AXLE	1
23	901-07.00.03	NUT,RIM SHAFT	2
24	519-07.00.30	INFLATION VALVE	2
25	901-04.00.29	WHEEL CAP	2

# F12 SEAT



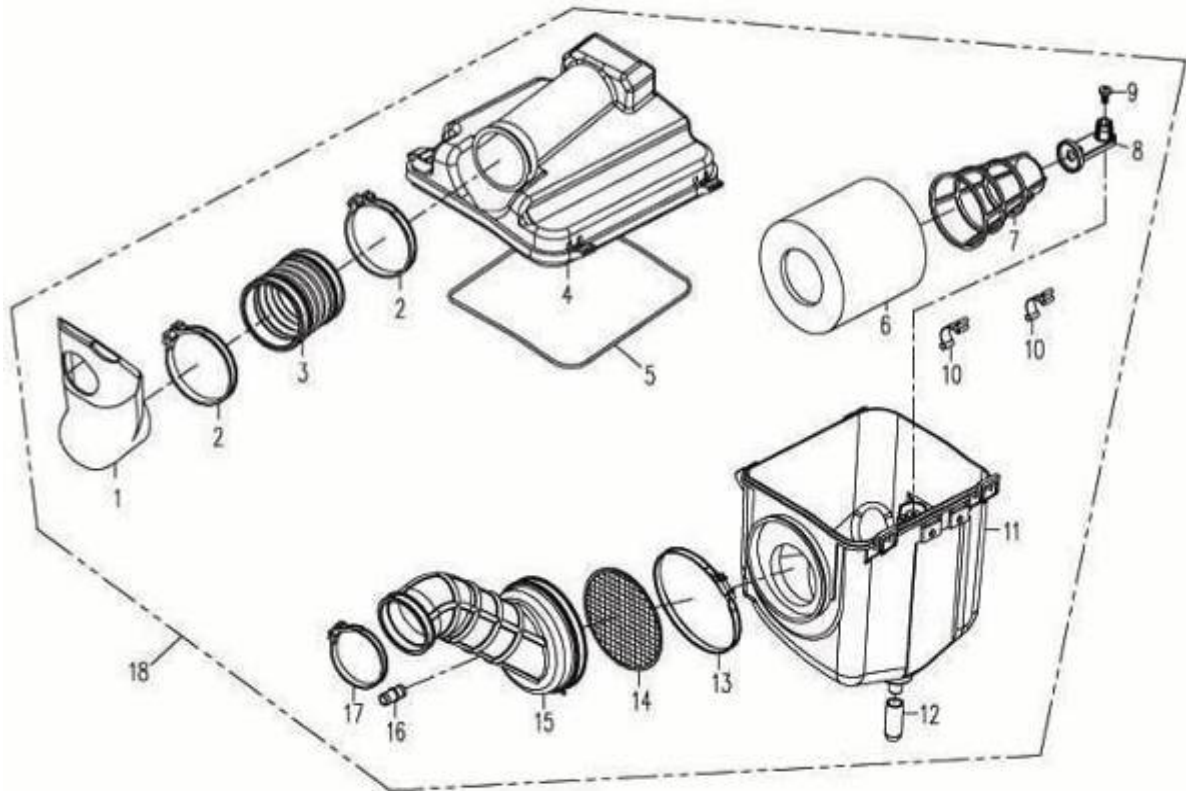
REF NO	PART CODE	DESCRIPTION(EN)	Q'TY
1	803-13.02.11	RUBBER CUSHION	2
2	901-13.01.00 A	SEAT	1
3	GB5789 M8X14	BOLT	2
4	901-03.00.07A	BRACKET, SEAT	1

# F13 FUEL TANK



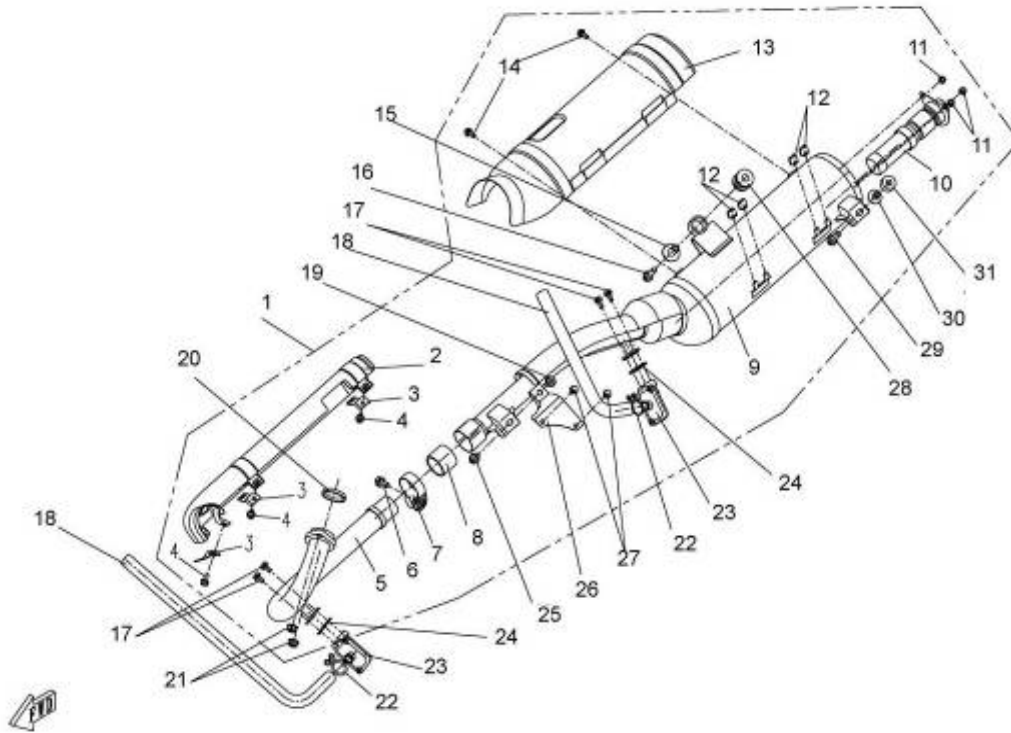
REF NO	PART CODE	DESCRIPTION(EN)	Q'TY
1	901-12.02.00	FUEL TANK CAP	1
2	901-12.03.10	RUBBER BUSH,FUEL TANK	4
3	901-12.00.07	REAR RUBBER BUFFER,FUEL TANK	2
4	QC/T621 A14	CLAMP 14A	1
5	901-12.05.11	FUEL HOSE I	1
6	QC/T621 A10.5	CIRCLIP 10.5 A	5
7	CF250T-450002	RUBBER FIXTURE, FUEL FILTER	1
8	CF250T-450200	FUEL FILTER	1
9	901-12.05.12	FUEL HOSE II	1
10	GB5789 M6x16	BOLT M6x16	2
11	QC/T621 A8	CIRCLIP 8 A	2
12	901-12.05.14	VACUUM TUBE	1
13	901-12.05.13	FUEL HOSE III	1
14	901-12.00.05	RUBBER CUSHION,FUEL TANK	2
15	901-04.00.26	BOTTOM PLATE,FUEL TANK	1
16	901-12.00.06	FRONT RUBBER BUFFER,FUEL TANK	2
17	901-17.01.21	SEAL RING	1
18	901-17.01.22	FUEL SENSOR	1
19	GB5789 M6x12	BOLT M6x12	4
20	GB5789 M6x30	BOLT M6x30	4
21	901-12.01.00	FUEL TANK	1
22	901-12.00.08	SPONGE PAD, FUEL TANK	2

# F14 AIR FILTER



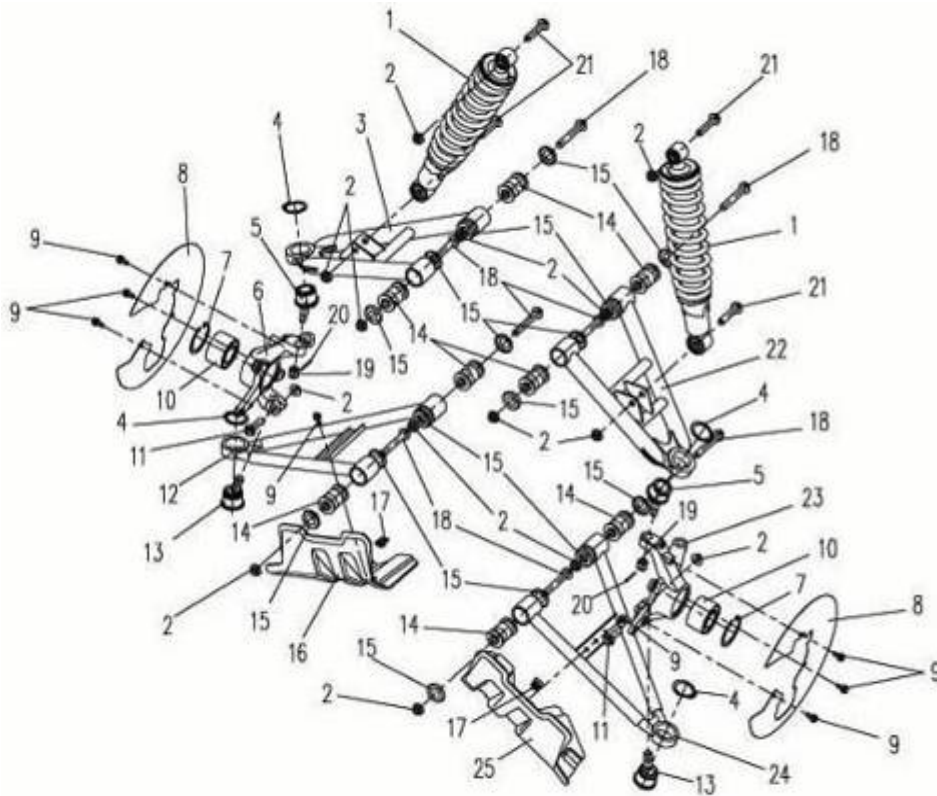
REF NO	PART CODE	DESCRIPTION(EN)	Q'TY
1	CF188-111001	SNORKEL,AIR FILTER	1
2	CF188-111002	CLAMP	2
3	CF188-111003	INTAKE TUBE,AIR FILTER	1
4	CF188-111004	TOP COVER ,AIR FILTER	1
5	CF188-110001	SEAL RING	1
6	CF188-112001	FILTER ELEMENT	1
7	CF188-112002	SUPPORT, FILTER ELEMENT	1
8	CF188-112003	FILTER ELEMENT SEAT	1
9	CF188-110002	SCREW	1
10	CF188-110003	CLASP	2
11	CF188-110004	BOX,AIR FILTER	1
12	CF188-110005	DRAIN PLUG	1
13	CF188-110006	CIRCLIP	1
14	CF188-110007	BACKFIRE ARRESTER	1
15	CF188-110008	AIR OUTLET TUBE	1
16	CF188-110009	EXHAUST TUBE	1
17	CF188-110010	CIRCLIP	1
18	CF188-110000	AIR FILTER	1

# F15 MUFFLER



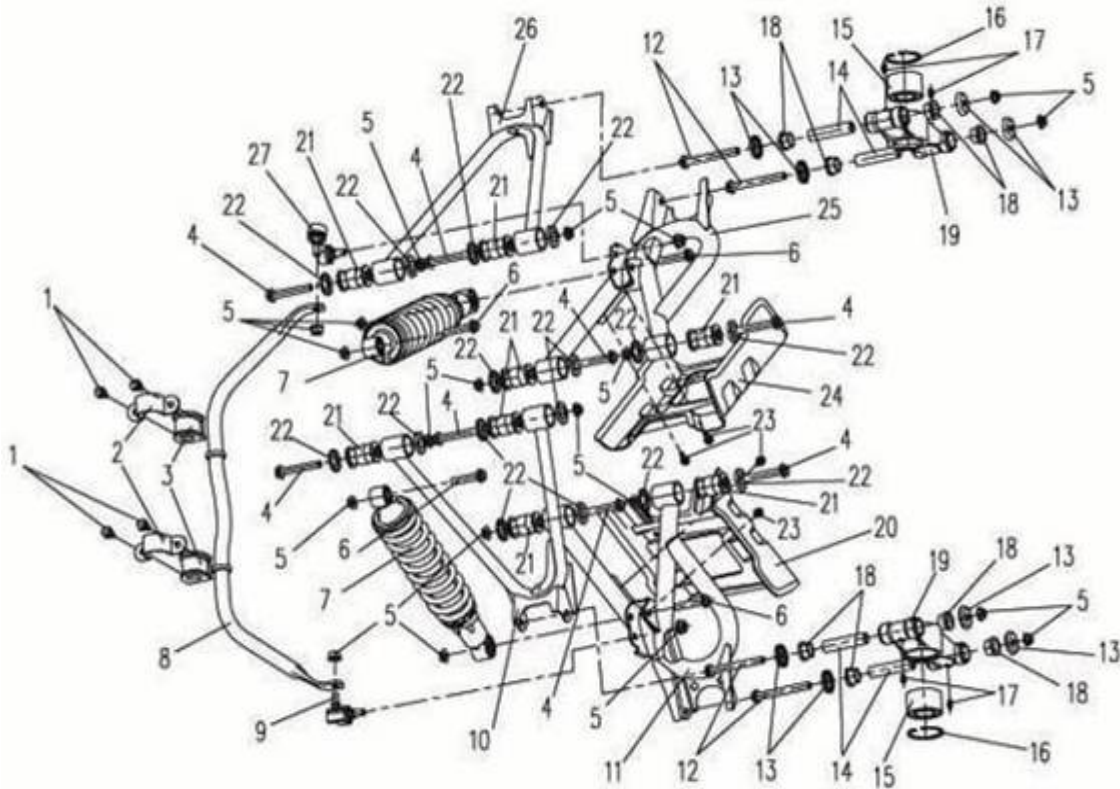
REF NO	PART CODE	DESCRIPTION(EN)	Q'TY
1	901-02.01.00A	MUFFLER COMP.	
2	901-02.01.20	EXHAUST PIPE PROTECTOR	1
3	901-02.01.01	CLAMP	3
4	GB5789 M6x20	BOLT M6x20	3
5	901-02.01.10	EXHAUST PIPE	1
6	GB5789 M8x25	BOLT M8x25	1
7	901-02.01.60	JOINT CLAMP	1
8	901-02.01.02	COLLAR	1
9	901-02.01.30A	MUFFLER	1
10	901-02.01.50	TAIL PIPE	1
11	GB923 M6	NUT	3
12	605-02.01.06	DAMPING COLLAR,MUFFLER	4
13	901-02.01.40	HEAT INSULATION COVER,MUFFLER	1
14	GB5789 M6x12	BOLT M6x12	2
15	901-02.03.00	SPACER,MUFFLER	1
16	GB5789 M8x40	BOLT M8x40	1
17	GB5789 M6x10	BOLT M6x10	4
18	901-02.00.04	AIR INLET HOSE,CHECK VALVE	2
19	GB6187 M8	NUT	1
20	CF188-022300	GASKET,EXHAUST PIPE	1
21	CF250T-440001	JOINT NUT,EXHAUST PIPE	2
22	QC/T621 A16x1.5	CLIP	2
23	803-02.01.20	AIR SUPPLY CHECK VALVE	2
24	803-02.01.01	GASKET, CHECK VALVE	2
25	GB5789 M8x20	BOLT M8x20	1
26	901-02.00.03	FRONT SUPPORT, MUFFLER	1
27	GB5789 M6x12	BOLT M6x12	2
28	901-02.00.01	RUBBER CUSHION,MUFFLER	1
29	GB5789 M8x25	BOLT M8x25	1
30	901-02.00.02	RUBBER CUSHION II,MUFFLER	2
31	901-02.04.00	SPACER II,MUFFLER	1

# F16 FRONT SUSPENSION



REF NO	PART CODE	DESCRIPTION(EN)	Q'TY
1	901-05.06.00	FRONT SHOCK ABSORBER	2
2	GB6187 M10x1.25	NUT M10x1.25	14
3	901-05.01.00	FRONT RIGHT ARM (UPPER)	1
4	GB894.1 34	CIRCLIP	4
5	901-05.07.00	TOP BALL PIN	2
6	901-05.00.01	STEERING KNUCKLE (RH)	1
7	GB893.1 55	CIRCLIP	2
8	901-03.00.08	BRAKE DISC GUARD	2
9	GB5789-M6x12	BOLT M6x12	8
10	DAC3055W	BEARING, HUB	2
11	GB5789 M10x1.25x40	BOLT M10x1.25x40	2
12	901-05.02.00	FRONT RIGHT ARM (LOWER)	1
13	901-05.08.00	BOTTOM BALL PIN	2
14	901-05.05.00	BUFFERING COLLAR	8
15	901-05.00.03	CAP, BUFFERING COLLAR	16
16	901-04.00.22	FRONT PROTECTOR (RIGHT)	1
17	803-04.08.00	NUT CLAMP,M6	2
18	GB5789 M10x1.25x70	BOLT, M10x1.25x70	8
19	GB9457 M10x1.25	SLOT NUT	2
20	GB91 2x16	COTTER PIN	2
21	GB5789 M10x1.25x50	BOLT, M10x1.25x50	4
22	901-05.03.00	FRONT LEFT ARM (UPPER)	1
23	901-05.00.02	STEERING KNUCKLE (LH)	1
24	901-05.04.00	FRONT LEFT ARM (LOWER)	1
25	901-04.00.21	FRONT PROTECTOR (LEFT)	1

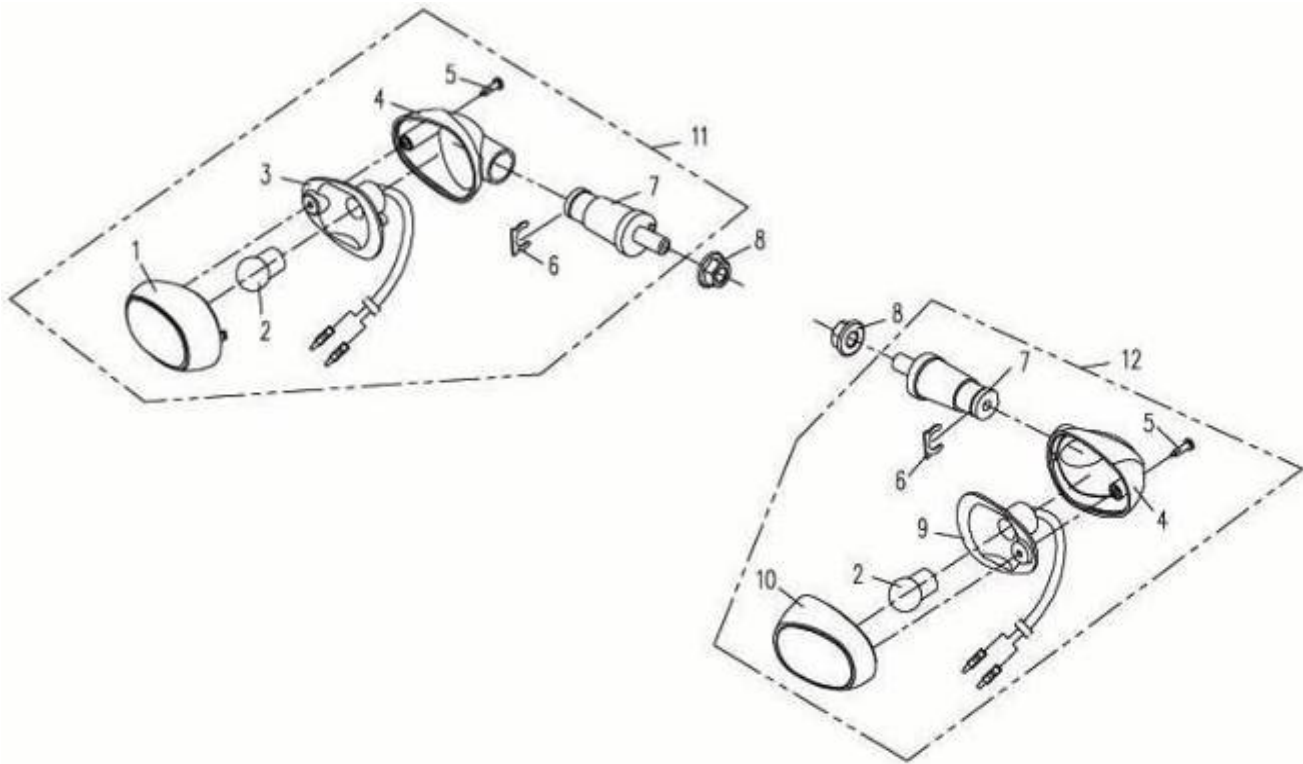
# F17 REAR SUSPENSION



REF NO	PART CODE	DESCRIPTION(EN)	Q'TY
1	GB5789 M8x14	BOLT,M8x14	4
2	901-06.00.02	GLAND COVER	2
3	901-06.00.03	RUBBER SUPPORT	2
4	GB5789 M10x1.25x70	BOLT,M10x1.25x70	8
5	GB6187 M10x1.25	LOCK NUT	20
6	GB5789 M10x1.25x50	BOLT,M10x1.25x50	4
7	901-06.06.00	REAR SHOCK ABSORBER	2
8	901-06.05.00	STABILIZER BAR	1
9	901-06.07.00	BALL PIN (LH)	1
10	901-06.03.00	REAR LEFT ARM (UPPER)	1
11	901-06.04.00	REAR LEFT ARM (LOWER)	1
12	GB5789 M10x1.25x100	BOLT,M10x1.25x100	4
13	901-06.09.00	DUST CAP	8
14	901-06.00.05	CENTER SPACER	4
15	DAC3055W	BEARING, HUB	2
16	GB893.1 55	CIRCLIP	2
17	GB1152 M6	OIL CUP	4
18	901-06.00.04	BUSH	8
19	901-06.00.01	HOLDER,REAR WHEEL SHAFT	2
20	901-04.00.19	REAR SUSPENSION PROTECTOR(LH)	1
21	901-05.05.00	BUFFERING COLLAR	8
22	901-05.00.03	CAP, BUFFERING COLLAR	16
23	GB5789 M6x12	BOLT M6x12	4
24	901-04.00.20	REAR SUSPENSION PROTECTOR(RH)	1
25	901-06.02.00	REAR RIGHT ARM (LOWER)	1
26	901-06.01.00	REAR RIGHT ARM (UPPER)	1
27	901-06.08.00	BALL PIN (RH)	1



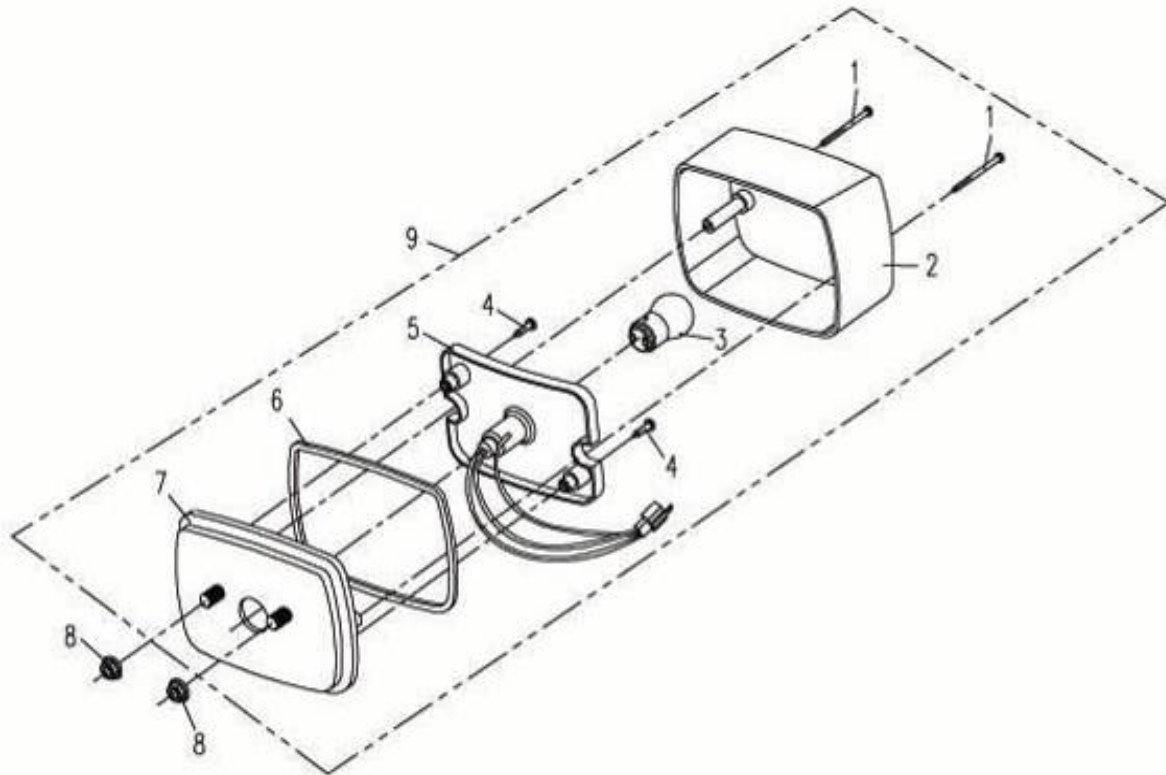
# F18 REAR TURNING LIGHT



REF NO	PART CODE	DESCRIPTION(EN)	Q'TY
1	901-16.04.11	COVER, REAR LEFT TURNING LIGHT	1
2	GB15766.1 12V10W	BULB	2
3	901-16.04.12	REFLECTOR,REAR LEFT TURNING LIGHT	1
4	901-16.04.13	HOUSING, REAR LEFT TURNING LIGHT	2
5	GB13806.2 ST2.9x13	TAPPING SCREW ST2.9x13	2
6	901-16.04.14	CLIP	2
7	901-16.04.15	ARM	2
8	GB6170 M10x1.25	NUT M10x1.25	2
9	901-16.05.12	REFLECTOR,REAR RIGHT TUNING LIGHT	1
10	901-16.05.11	COVER, REAR RIGHT TURNING LIGHT	1
11	901-16.04.10	REAR LEFT TURNING LIGHT	1
12	901-16.05.10	REAR RIGHT TURNING LIGHT	1

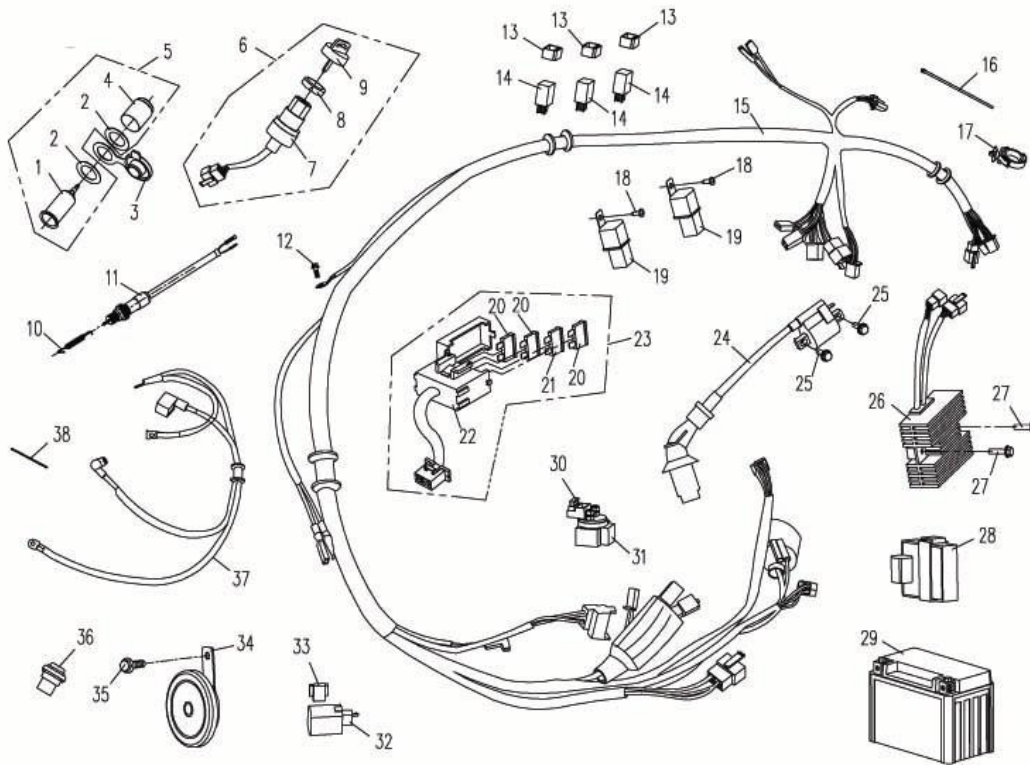


# F19 TAIL LIGHT



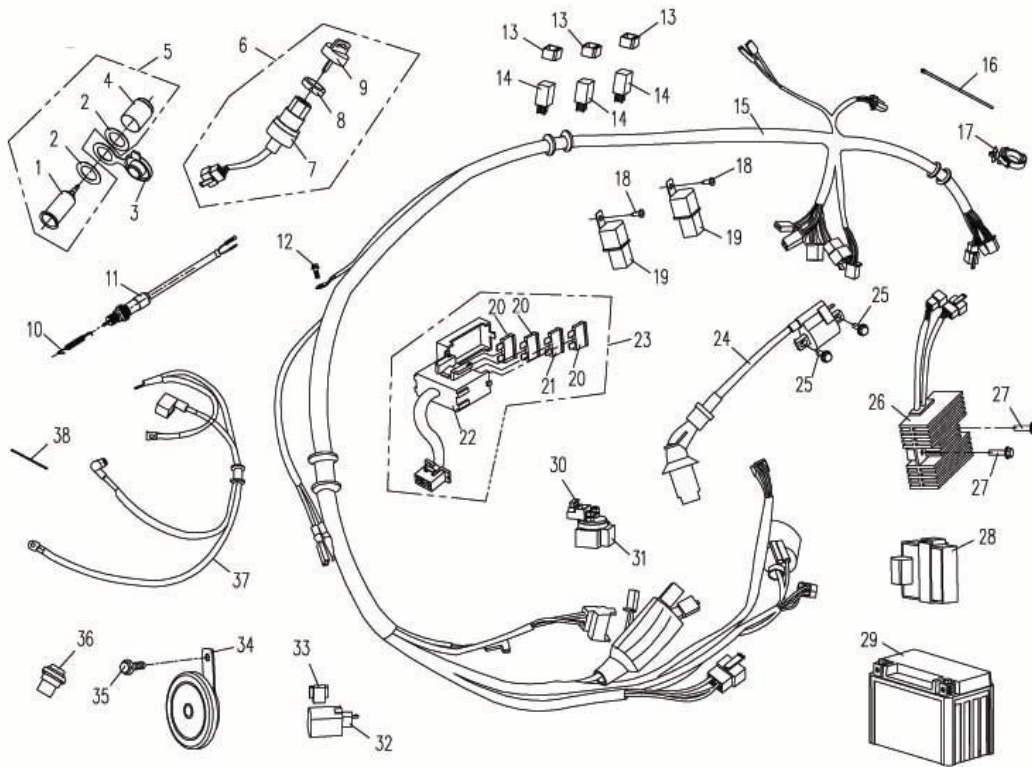
REF NO	PART CODE	DESCRIPTION(EN)	Q'TY
1	GB13806.2 ST2.9x42	TAPPING SCREW ST2.9x42	2
2	901-16.03.11	COVER, TAIL LIGHT	1
3	GB15766.1 21/5W 12V	BULB	1
4	GB13806.2 ST2.9x13	TAPPING SCREW ST2.9x13	2
5	901-16.03.12	REFLECTOR	1
6	GB3452.1 6x1.8	O-RING	1
7	901-16.03.13	HOUSING, TAIL LIGHT	1
8	GB6177 M6	NUT M6	2
9	901-16.03.10	TAIL LIGHT	1

# F20-1 ELECTRIC SYSTEM



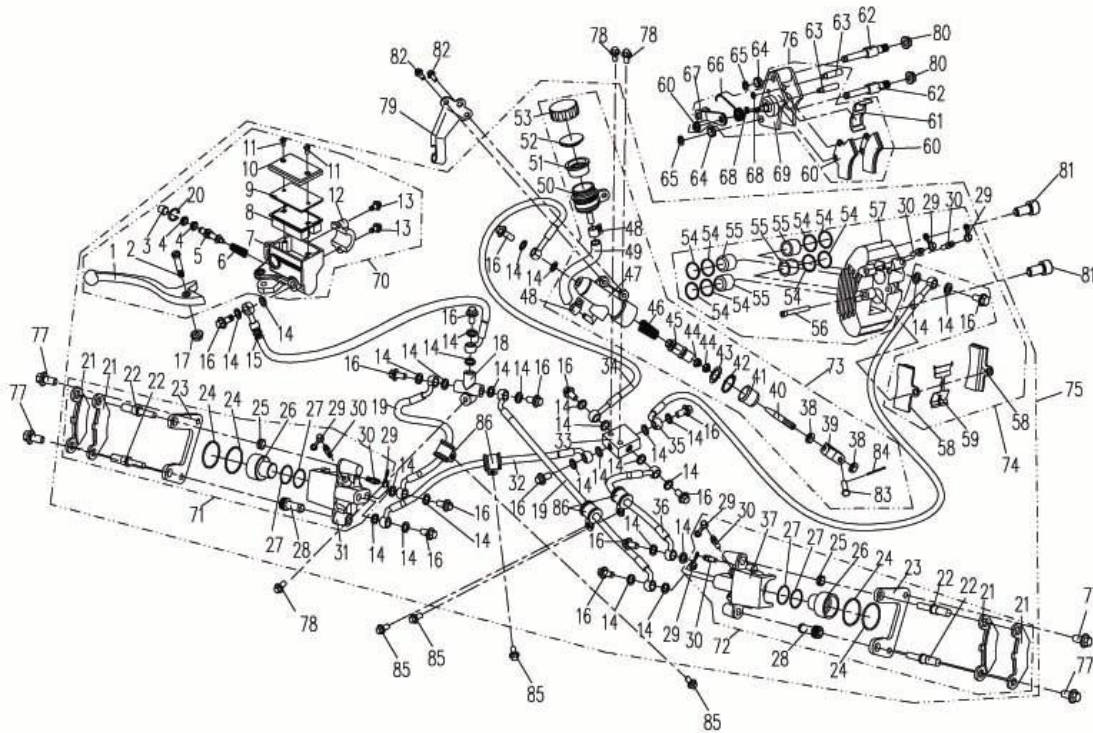
REF NO	PART CODE	DESCRIPTION(EN)	Q'TY
1	901-15.07.01	FRONT SEAT, CIGARETTE LIGHTER	1
2	901-15.07.02	GASKET	2
3	901-15.00.01	DUST CAP,CIGARETTE LIGHTER	1
4	901-15.07.03	REAR SEAT, CIGARETTE LIGHTER	1
5	901-15.07.00	CIGARETTE LIGHTER	1
6	901-01.01.10	IGNITION SWITCH	1
7	901-01.01.01	BODY,IGNITION SWITCH	1
8	901-01.01.02	TIGHTENING NUT,IGNITION SWITCH	1
9	901-01.01.03	KEY	1
10	901-08.02.03	SPRING,BRAKE SWITCH	1
11	901-15.05.00	SWITCH,REAR BRAKE	1
12	GB5789 M6x12	BOLT M6x12	1
13	901-15.00.02	RUBBER RING,AUXILIARY RELAY	3
14	901-15.03.50	AUXILIARY RELAY	3
15	901-15.01.00A	MAIN CABLE	1
16	901-15.00.04	TIE BAND	2
17	901-15.00.05	CABLE CLIP	1
18	GB845 ST4.8x16	TAPPING SCREW	2
19	803-15.14.00	SHUNT RELAY	2
20	901-15.06.01	FUSE (10A)	3
21	901-15.06.02	FUSE (15A)	1
22	901-15.06.03	COVER, FUSE BOX	1
23	901-15.06.00	FUSE BOX	1
24	CF188-152000	IGNITION COIL	1
25	GB5789 M6x20	BOLT M6x20	2
26	CF188-151000	REGULATOR/RECTIFIER	1
27	GB5789 M6x25	SCREW M6x25	2
28	CF188-153000	CDI UNIT	1
29	12V 18Ah	BATTERY	1
30	901-15.03.01	FUSE (20A)	1
31	901-15.03.10	STARTER RELAY	1
32	901-15.03.40	FLASHER	1
33	CF150T-470003	CUSHION ,FLASHER	1

# F20-2 ELECTRIC SYSTEM



REF NO	PART CODE	DESCRIPTION(EN)	Q'TY
34	50215070000	HORN	1
35	GB5789 M8x14	BOLT M8x14	1
36	CF250T-342000	PARKING SWITCH	1
37	901-15.02.00A	STARTING TERMINAL CABLE COMP.	1
38	CF250T-470008	TIE BAND	6

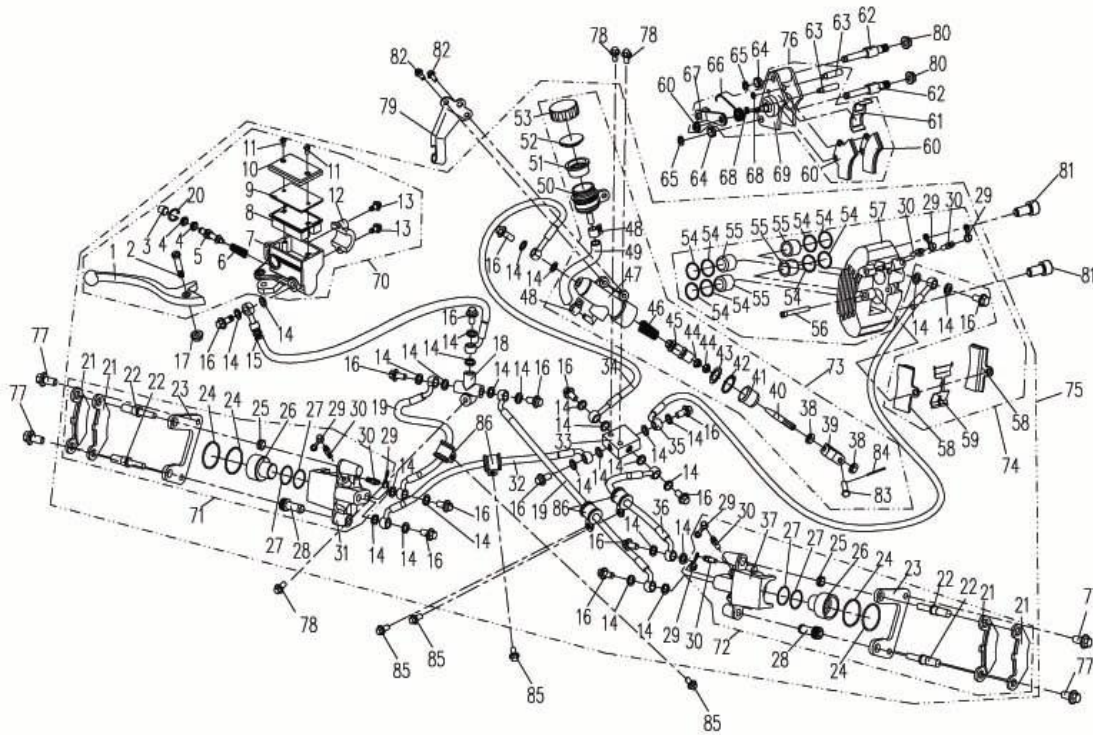
# F21-1 HYDRAULIC BRAKE



REF NO	PART CODE	DESCRIPTION(EN)	Q'TY
1	901-08.01.71	FRONT BRAKE LEVER	1
2	901-08.01.72	PIN BOLT	1
3	901-08.01.73	DUST CAP,PISTON	2
4	901-08.01.74	RUBBER CUP	1
5	901-08.01.75	PISTON, BRAKE MASTER CYLINDER	2
6	901-08.01.76	RETURN SPRING	1
7	901-08.01.77	FRONT BRAKE MASTER CYLINDER	1
8	901-08.01.78	RUBBER CUSHION, FR. BR. FLUID RESERVOIR	1
9	901-08.01.79	CUSHION, FRONT BRAKE FLUID RESERVOIR	1
10	901-08.04.01	BRAKE FLUID RESERVOIR CAP	1
11	GB819 M5x12	SCREW M5x12	2
12	901-08.04.02	BRACKET,FRONT BRAKE MASTER CYLINDER	1
13	GB5789 M6x25	BOLT M6x25	2
14	901-08.01.03	WASHER,BRAKE HOSE JOINT	1
15	901-08.01.60	BRAKE HOSE, FRONT MASTER CYLINDER	1
16	901-08.01.04	UNION BOLT	1
17	GB6177 M6	NUT M6	1
18	901-08.01.02	T-JOINT	1
19	901-08.01.90	BRAKE HOSE, FRONT BRAKE CALIPER	2
20	GB893.1 18	RETAINER	1
21	901-08.08.01	FRONT BRAKE PAD	4
22	901-08.08.02	SLIDING SHAFT,FRONT BRAKE	4
23	901-08.08.03	BRACKET, FRONT CALIPER	2
24	901-08.08.04	O-RING I,FRONT CALIPER	2
25	901-08.08.05	RUBBER COLLAR I,MAIN SLIDING SHAFT	2
26	901-08.08.06	PISTON,FRONT CALIPER BODY	1
27	901-08.08.07	O-RING II,FRONT CALIPER BODY	1
28	901-08.08.08	RUBBER COLLAR II,MAIN SLIDING SHAFT	1
29	901-08.08.09	RUBBER COLLAR,BLEED BOLT	6
30	901-08.08.11	BLEED BOLT	6
31	901-08.08.12	FRONT RIGHT CALIPER	1
32	901-08.01.50	PEDAL BRAKE HOSE,FRONT RIGHT CALIPER	1
33	Vers. 2006-01-08.01.01	CROSS JOINT	1

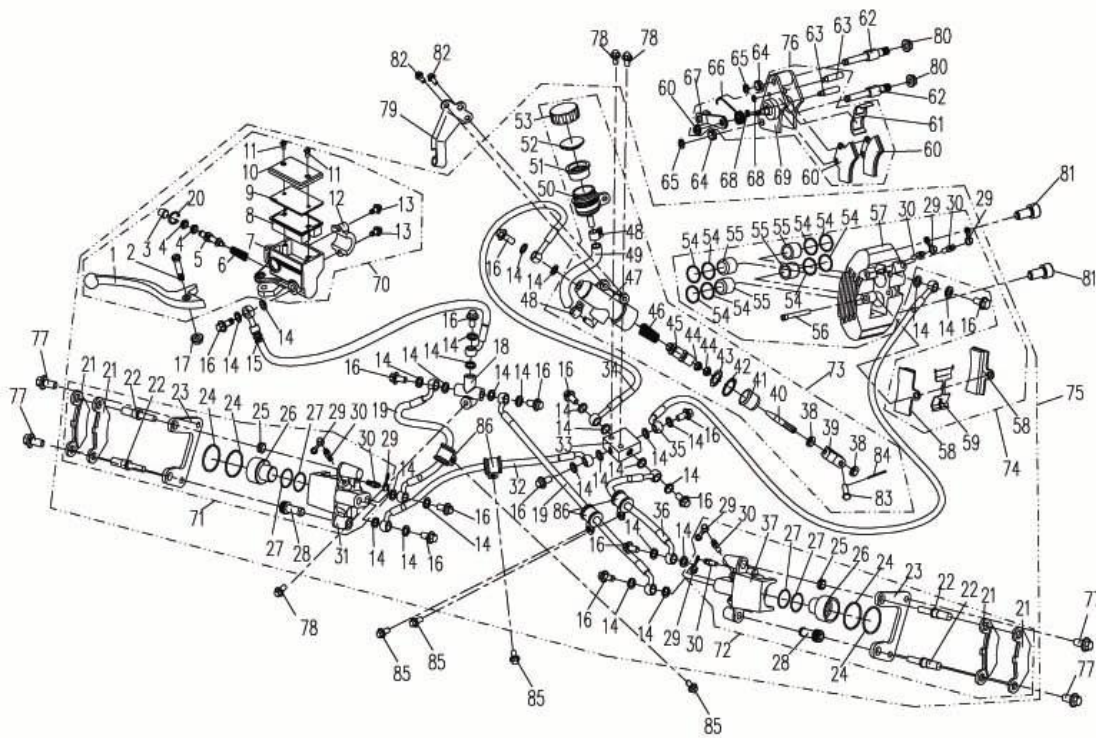


# F21-2 HYDRAULIC BRAKE



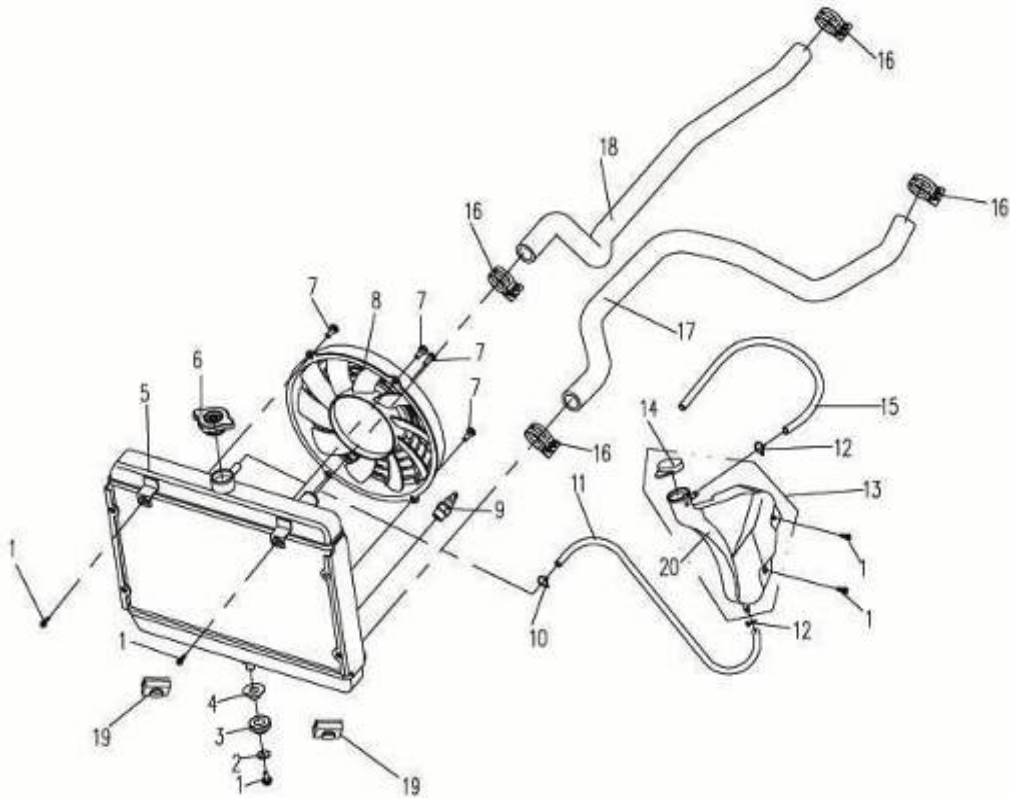
REF NO	PART CODE	DESCRIPTION(EN)	Q'TY
34	901-08.01.30	BRAKE HOSE, MASTER CYLINDER	1
35	901-08.01.20A	BRAKE HOSE, REAR BRAKE CALIPER	1
36	901-08.01.40	PEDAL BRAKE HOSE,FRONT LEFT CALIPER	1
37	901-08.07.01	FRONT RIGHT CALIPER	2
38	GB6170 M6	NUT M6	2
39	901-08.04.01	JOINT PAD	1
40	901-08.04.02	POST ROD	1
41	901-08.04.03	RUBBER SEAL,MASTER CYLINDER	1
42	GB893.1 20	RETAINER	1
43	GB848 18	WASHER	2
44	901-08.04.04	RUBBER CUP, MASTER CYLINDER	1
45	901-08.04.05	PISTON,REAR MASTER CYLINDER	1
46	901-08.04.06	RETURN SPRING,REAR BRAKE	1
47	901-08.04.07	REAR MASTER CYLINDER	1
48	901-08.04.08	CLAMP	2
49	901-08.04.09	HOSE, BRAKE FLUID RESERVOIR	1
50	901-08.04.11	BRAKE FLUID RESERVOIR	1
51	901-08.04.12	CUSHION,BRAKE FLUID RESERVOIR	1
52	901-08.04.13	WASHER,BRAKE FLUID RESERVOIR	1
53	901-08.04.14	CAP, BRAKE FLUID RESERVOID	1
54	901-08.05.01	O-RING,REAR CALIPER	8
55	901-08.05.02	PISTION,REAR CALIPER	4
56	901-08.05.03	SLIDING PIN,REAR CALIPER BODY	1
57	901-08.05.04	REAR CALIPER	2
58	901-08.05.05	REAR BRAKE PAD	2
59	901-08.05.06	SUPPORTING PLATE	1
60	901-08.03.22	BRAKE PAD	2
61	901-08.02.15	SUPPORTING PAD SPRING	1
62	901-08.03.01	SLIDING SHAFT	2
63	901-08.03.28	GUIDE SHAFT	2
64	901-08.03.02	RUBBER COLLAR,SLIDING SHAFT	2
65	GB894.1 9	RETAINER	2
66	901-08.03.03	TORSION SPRING	2

# F21-3 HYDRAULIC BRAKE



REF NO	PART CODE	DESCRIPTION(EN)	Q'TY
67	901-08.03.24	ROCKER	1
68	G894.1 6	CIRCLIP	1
69	901-08.03.23	SUPPORT SEAT	1
70	901-08.06.00	HAND BRAKE MASTER CYLINDER,FR. BRAKE	1
71	901-08.08.00	RIGHT CALIPER,FRONT BRAKE	1
72	901-08.07.00	LEFT CALIPER,FRONT BRAKE	
73	901-08.04.00	MASTER CYLINDER, PEDAL BRAKE	1
74	901-08.05.00	REAR BRAKE CALIPER	1
75	901-08.01.00 A	HYDRAULIC BRAKE COMP	1
76	901-08.03.20	PARKING CALIPER	1
77	GB5789 M8x14	BOLT M8x14	4
78	GB5789 M6x30	BOLT M6x30	3
79	901-08.02.40	FIXING PLATE,INTERLOCK CABLE	1
80	GB5789 M10x1.25	NUT M10x1.25	2
81	GB70 M10x1.25x20	INNER HEX SCREW	2
82	GB70 M6x25	SCREW M6x25	2
83	GB882 7x15	PIN BOLT	1
84	GB91 1.6x25	COTTER PIN	1
85	GB5789 M6x12	BOLT M6x12	4
86	901-08.01.04	CIRCLIP	4

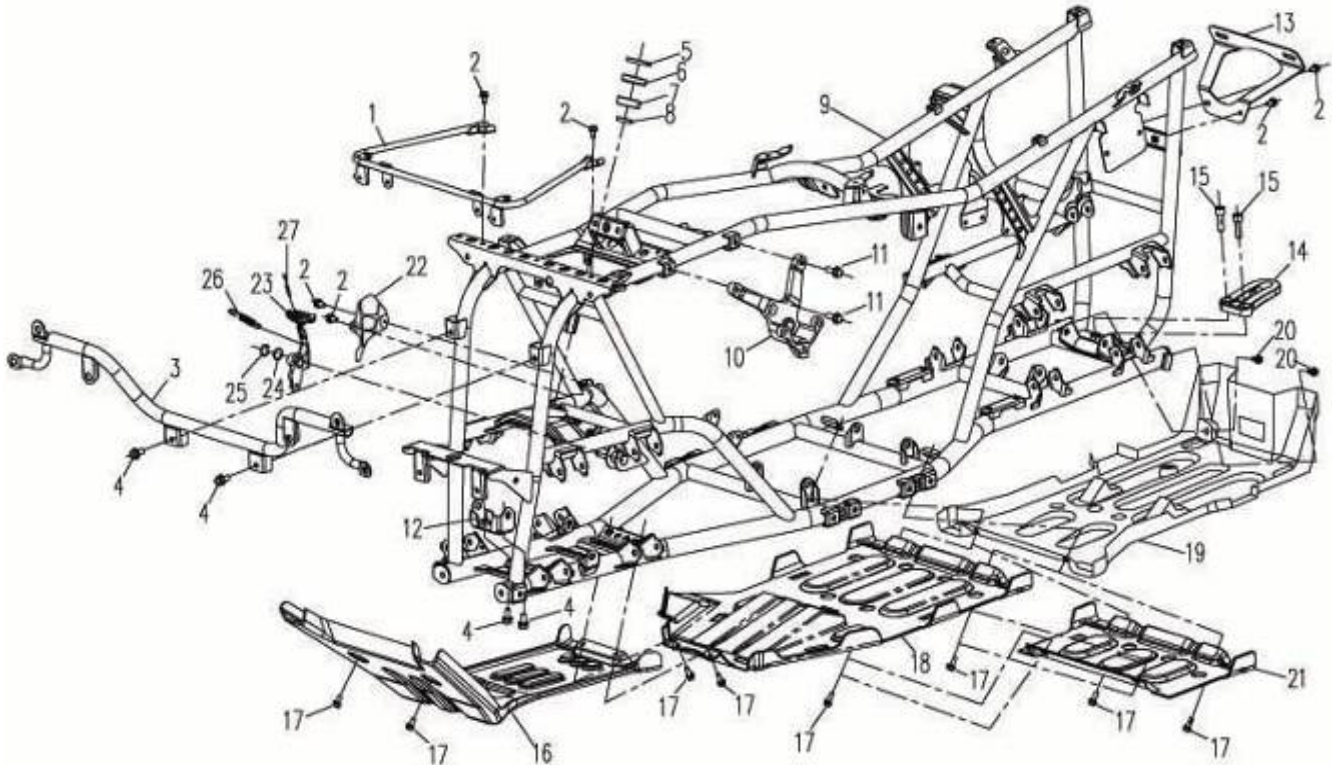
# F22 COOLING SYSTEM



REF NO	PART CODE	DESCRIPTION(EN)	Q'TY
1	GB5789 M6x12	BOLT M6x12	5
2	GB2587 6	WASHER	1
3	901-18.00.04	RUBBER COLLAR,RADIATOR	1
4	901-18.00.10	STEEL COLLAR,RADIATOR	1
5	901-18.01.00	RADIATOR	1
6	901-18.03.00	CAP,RADIATOR	1
7	GB818 M6x12	SCREW M6x12	4
8	901-18.02.00	RADIATOR FAN	1
9	CF250T-420500	THERMONSWITCH	1
10	QC/T 621 A 10.5	CLAMP 10.5A	1
11	901-18.00.04	WATER HOSE,RESERVOIR TANK	1
12	QC/T 621 A8	CLAMP 8A	2
13	901-18.04.00	RESERVOIR TANK	1
14	901-18.04.01	RUBBER CAP,RESERVOIR TANK	1
15	901-18.00.05	OVERFLOW PIPE,RESERVOIR TANK	1
16	CF188-023500	CLIP ,WATER PIPE	4
17	901-18.00.02	WATER OUTLET HOSE,RADIATOR	1
18	901-18.00.03	WATER INLET HOSE,RADIATOR	1
19	519-00.10.03	RUBBER CUSHION,MIAN BRAKET	2
20	901-18.04.02	RESERVOIR TANK	1



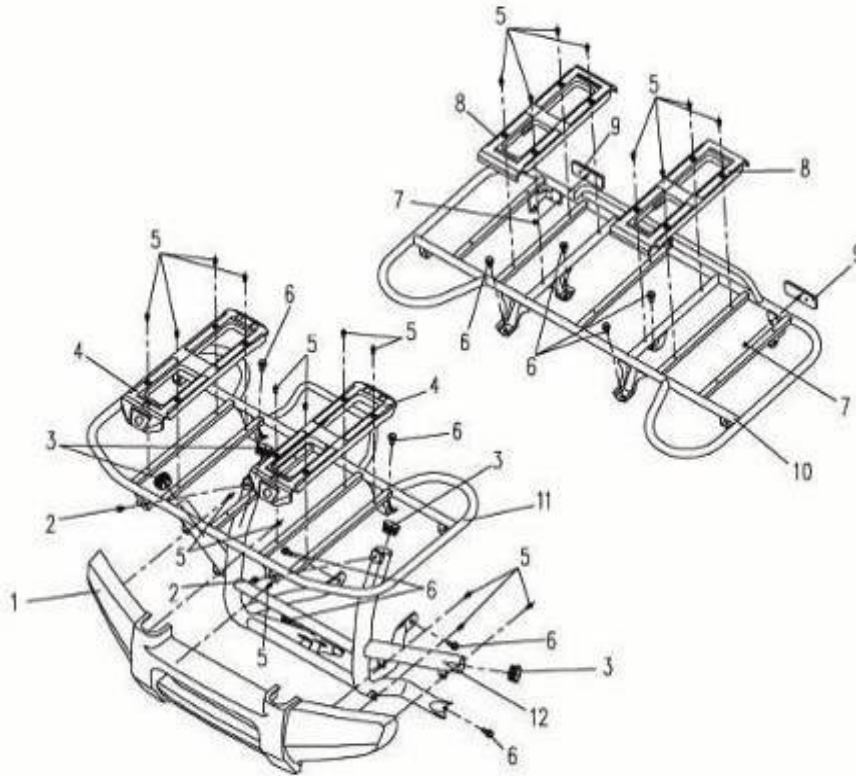
# F23 FRAME



REF NO	PART CODE	DESCRIPTION(EN)	Q'TY
1	901-03.00.40	UPPER BRACKET ,RADIATOR	1
2	GB5789 M6x12	BOLT M6x12	6
3	901-03.00.50	BRAKET,HEAD LIGHT	1
4	GB5789 M8x14	BOLT M8x14	4
5	GB/T13871 FB44x25x7	OIL SEAL	1
6	901-03.00.03	BEARING RETAINER	1
7	GB276 6203RS	BEARING	1
8	GB/T13871 FB36x25x8	OIL SEAL	1
9	901-03.01.00 A	FRAME	1
10	901-32.00.01	ALUMINIUM BRAKET	1
11	GB5789 M8x25	BOLT M8x25	2
12	901-03.00.01	BRACKET,FRONT AXLE	1
13	901-03.00.12	BRAKET,REAR LICENSE PLATE	1
14	901-03.00.02	TOWING BRACKET	1
15	GB70 M10x1.25x40	BOLT M10x1.25x40	2
16	901-04.00.17	ENGINE SKID PLATE(FRONT)	1
17	GB5789 M6x16	BOLT M6x16	8
18	901-04.00.16	ENGINE SKID PLATE(CENTER)	1
19	901-04.00.15	ENGINE SKID PLATE(REAR)	1
20	CF250T-340002	BOLT M6x14	2
21	901-04.00.01 A	PROTECTING PLATE,DOUBLE SEAT	1
22	901-03.00..09	PROTECTING PLATE,FR. DISC BRAK OIL PUMP	1
23	901-08.02.10	PEDAL BRAKE	1
24	GB95.1 14	WASHER	1
25	GB894.1 14	RETAINER	1
26	901-08.02.01	RETURN SPRING,PEDAL	1
27	901-08.02.03	RETURN SPRING,BRAKE	1
28	901-03.00.02-1	HITCH BALL (Anhängekupplung)	

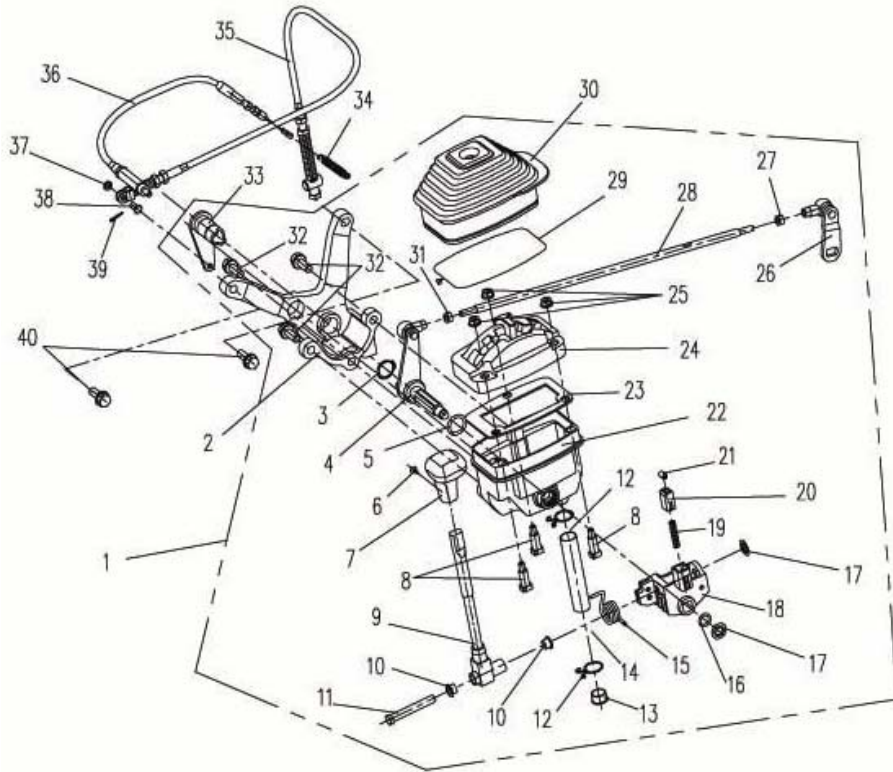


# F24 RACK, BUMPER



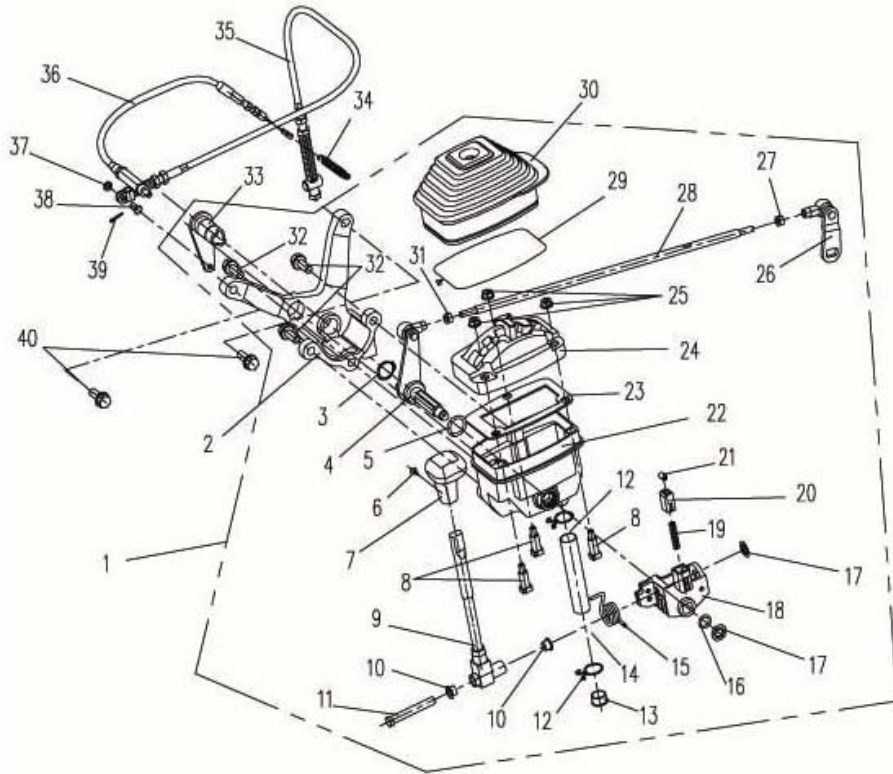
REF NO	PART CODE	DESCRIPTION(EN)	Q'TY
1	901-04.00.01	ORNAMENT PANEL,BUMPER	1
2	GB5789 M6x12	BOLT M6x12	2
3	901-04.00.28	PLUG,BUMPER	4
4	901-04.00.17	ORNAMNENT PANEL,FRONT RACK	2
5	GB845-H-F ST4.8x13	TAPPING SCREW ST4.8x13	16
6	GB5789 M8x14	BOLT M8x14	10
7	GB6177 M5	NUT M5	2
8	901-04.00.18	ORNAMENT PANEL,REAR RACK	2
9	519-16.02.30	REAR REFLECTOR	2
10	901-14.01.00	REAR RACK	1
11	901-14.02.00	FRONT RACK	1
12	901-23.01.00	BUMPER	1
13	GB845 ST4.8x16	TAPPING SCREW ST4.8x13	6

# F25-1 GEAR SHIFTING



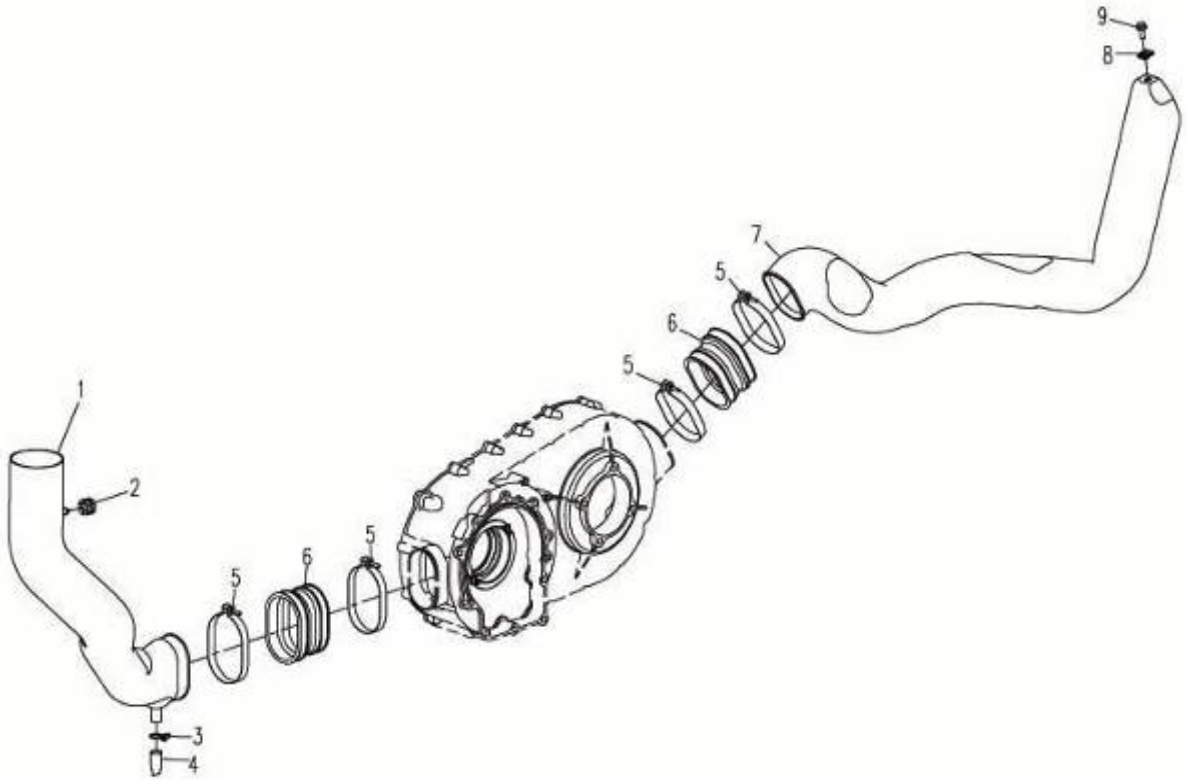
REF NO	PART CODE	DESCRIPTION(EN)	Q'TY
1	901-32.01.00	GEARSHIFT UNIT	1
2	901-32.00.01	ALUMINIUM BRACKET	1
3	GB894.1 19	CIRCLIP	1
4	901-32.01.10	ROCKER SHAFT,GEARSHIFT	1
5	GB3452.1 14x2.65	O-RING	1
6	901-32.00.03	PLASTIC RIVET	1
7	901-32.00.02	KNOB,GEARSHIFT ROD	1
8	901-32.00.15	COACH BOLT	3
9	901-32.01.30	GEARSHIFT ROD	1
10	901-32.00.09	NYLON BUSH	2
11	901-32.00.10	PIN SHAFT	1
12	901-32.00.18	WIRE CLIP	2
13	901-32.00.17	PLUG,BREATHER HOSE	1
14	901-32.00.16	BREATHER HOSE	1
15	901-32.00.08	TORSION SPRING	1
16	GB3452.1 11x2.65	O-RING	1
17	901-32.00.07	LOCKRING	2
18	901-32.01.40	SEAT,GEARSHIFT ROD	1
19	901-32.00.06	PRESSURE SPRING	1
20	901-32.00.05	SLIDER	1
21	901-32.00.04	DOWEL PIN	1
22	901-32.01.50	HOUSING	1
23	901-32.00.14	RUBBER GASKET	1
24	901-32.00.13	COVER	1
25	GB6177 M6	NUT M6	3
26	901-32.01.60	SHIFT ARM	1
27	GB6170 M6-Left	LEFT-HAND THREADED HEX NUT	1
28	901-32.00.19	SELECT LEVER SHIFT ROD	1
29	901-32.00.12	WIRE CLIP	1
30	901-32.00.11	DUST BOOT	1
31	GB6170-M6	HEX NUT	1
32	GB5789 M8x20	BOLT M8x20	3
33	901-32.01.20	ROCKER ARM, PARKING	1

# F25-2 GEAR SHIFTING



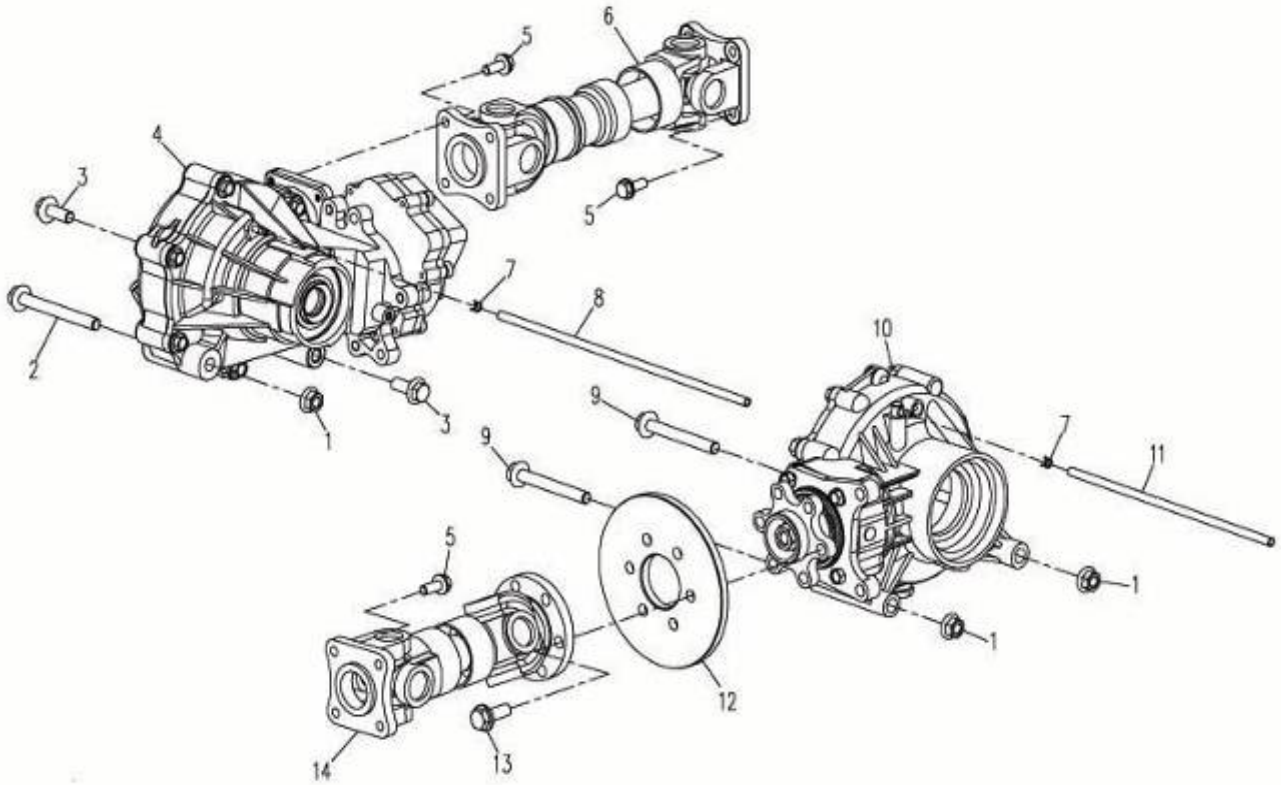
REF NO	PART CODE	DESCRIPTION(EN)	Q'TY
34	901-08.02.02	SHIFT SPRING	1
35	901-08.03.10A	CABLE, PARKING	1
36	901-32.02.00	CABLE, PARKING LOCK	1
37	GB97.1 6	PLAIN WASHER	1
38	GB882 6x20	PIN BOLT	1
39	GB91 1.6x20	COTTER PIN	1
40	GB5789 M8x25	BOLT M8x25	2

# F26 CVT COOLING SYSTEM



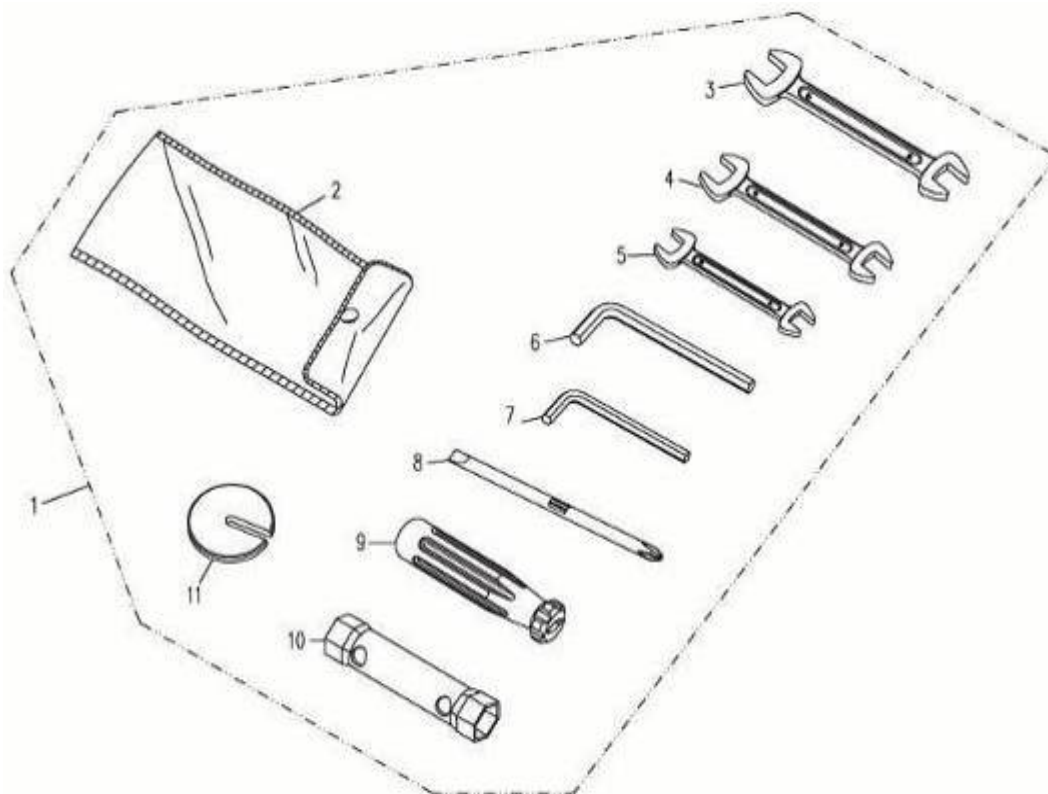
REF NO	PART CODE	DESCRIPTION(EN)	Q'TY
1	901-00.01.02	AIR INLET DUCT	1
2	50203100001	RUBBER COLLAR,FR.LICENSE PLATE BRACKET	1
3	QC/T621 A16	CIRCLIP	1
4	901-00.01.04	DRAIN PIPE	1
5	901-00.01.05	CIRCLIP 78~101	4
6	901-00.01.01	JOINT, AIR INLET DUCT	2
7	901-00.01.03	AIR OUTLET DUCT	1
8	803-04.08.00	NUT CLAMP M6	1
9	GB5789 M6x16	BOLT M6x16	1

# F27 TRANSMISSION SYSTEM



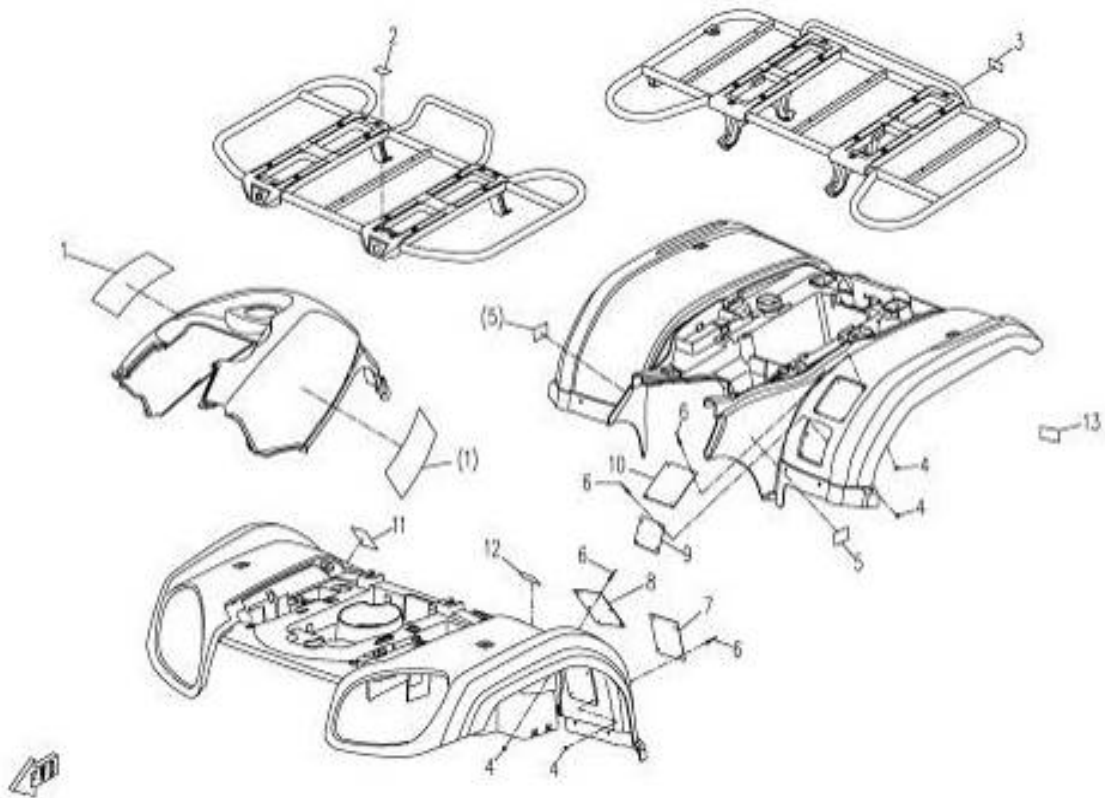
REF NO	PART CODE	DESCRIPTION(EN)	Q'TY
1	GB6187 M10x1.25	NUT M10x1.25	3
2	GB5789 M10x1.25x90	BOLT M10x1.25x90	1
3	GB5789 M10x1.25x25	BOLT M10x1.25x25	2
4	CF188-310000	FRONT AXLE	1
5	CF188-170100	BOLT M8x1x22	12
6	901-29.01.00	FRONT DRIVE SHAFT	1
7	QC/T621 A8	CIRCLIP 8	2
8	901-31.00.01	BREATHER HOSE,FRONT AXLE	1
9	GB5789 M10x1.25x110	BOLT M10x1.25x110	2
10	CF188-330000	REAR AXLE	1
11	901-08.02.01	REAR BRAKE DISC	1
12	CF188-180100	BOLT M10x1.25x30	6
13	901-30.01.00A	REAR DRIVE SHAFT	1
14	GB97.1 8	WASHER	12
15	901-30.00.02	WASHER 10	6

## F28 TOOLS COMP.



REF NO	PART CODE	DESCRIPTION(EN)	Q'TY
1	901-20.30.00	TOOLS	1
2	519-20.30.09	TOOLS KIT	1
3	519-20.30.08	DOUBLE-END SPANNER 14x17	1
4	519-20.30.07	DOUBLE-END SPANNER 10x12	1
5	519-20.30.06	DOUBLE-END SPANNER 8x10	1
6	519-20.30.05	INNER HEX SPANNER(S=6)	1
7	519-20.30.11	INNER HEX SPANNER(S=5)	1
8	519-20.30.03	DOUBLE-END SCREWDRIVER	1
9	519-20.30.02	DOUBLE-END SCREWDRIVER HANDLE	1
10	901-20.30.01	SOCKET WRENCH 18x16	1
11	901-20.30.02	SHIFTING WRENCH	1

## F29 STICKERS & LOGO



REF NO	PART CODE	DESCRIPTION(EN)	Q'TY
1	901-19.00.08A	FUEL TANK STRIPE(LH&RH)	1
2	901-19.00.10	WARNING, FRONT RACK CAPACITY	1
3	901-19.00.11	WARNING, REAR RACK CAPACITY	1
4	GB97.1 4	WASHER	18
5	901-19.00.07	STICKERS,SIDE PANEL(LH&RH)	1
6	GB12618 4x8	RIVET 4X8	18
7	901-19.00.01	WARNING, DRIVER'S AGE LIMIT	1
8	901-19.00.05A	WARNING LABEL( US)	1
	901-19.00.06A	WARNING LABEL(EURO)	1
9	901-19.00.04	WARNING, PASSENGER	1
10	901-19.00.03A	LABEL, TYRE PRESSURE AND LOAD	1
11	901-19.00.02	WARNING LABEL, 4x4	1
12	901-19.00.13	LABEL, GEARSHIFT	1
13	901-19.00.12	LABEL, TOWING LOAD	1