

TABLE OF CONTENTS

2005 500 TRV

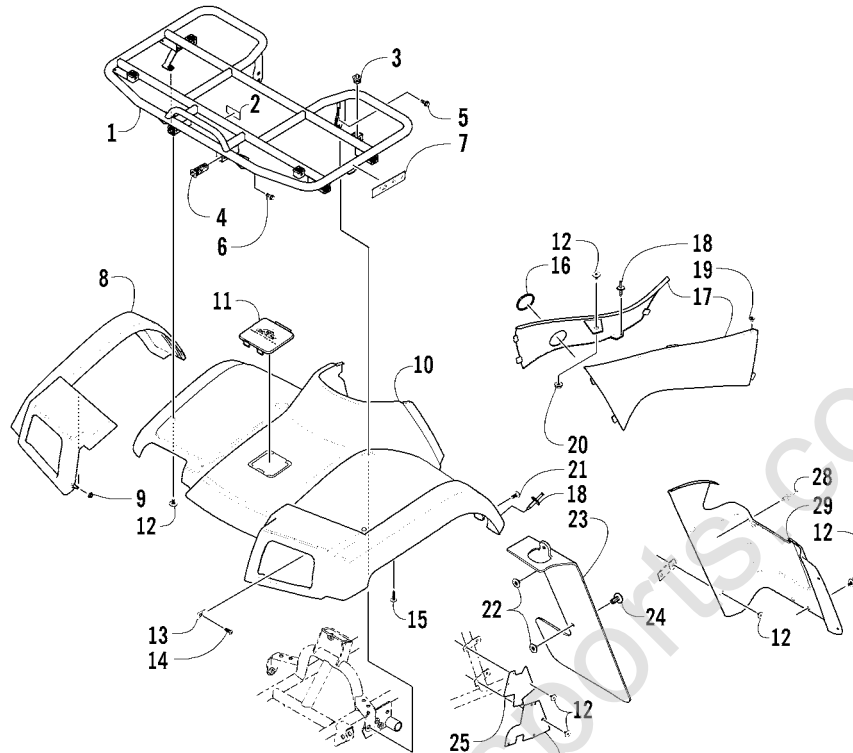
Red (Model No. A2005TDM4BUSR)

Green (Model No. A2005TDM4BUSG)

Cat Green (Model No. A2005TDM4BUSZ)

FRONT BODY PANEL ASSEMBLY	1
REAR BODY PANEL ASSEMBLY	2
TAILLIGHT ASSEMBLY	3
DECALS	4
FRAME AND RELATED PARTS	5
SEAT ASSEMBLY	6
STEERING POST ASSEMBLY	7
HANDLEBAR ASSEMBLY	8
FRONT SUSPENSION ASSEMBLY	9
REAR SUSPENSION ASSEMBLY	10
WHEEL AND TIRE ASSEMBLY	11
AUXILIARY BRAKE ASSEMBLY	12
HYDRAULIC HAND BRAKE ASSEMBLY	13
HYDRAULIC BRAKE ASSEMBLY	14
GAS TANK ASSEMBLY	15
REVERSE SHIFT LEVER ASSEMBLY	16
AIR INTAKE ASSEMBLY	17
STORAGE BOX AND BATTERY ASSEMBLY	18
ENGINE AND EXHAUST	19
COOLING ASSEMBLY	20
CASE/BELT COOLING ASSEMBLY	21
FRONT DRIVE GEARCASE ASSEMBLY	22
REAR DRIVE GEARCASE ASSEMBLY	23
WIRING HARNESS ASSEMBLY	24
CARBURETOR	25
CYLINDER HEAD ASSEMBLY	26
CYLINDER ASSEMBLY	27
CRANKCASE ASSEMBLY	28
CLUTCH/V-BELT/MAGNETO COVER ASSEMBLY	29
CRANKSHAFT ASSEMBLY	30
STARTER CLUTCH ASSEMBLY	31
CRANK BALANCER ASSEMBLY	32
CAMSHAFT/VALVE ASSEMBLY	33
CAM CHAIN ASSEMBLY	34
RECOIL STARTER ASSEMBLY	35
OIL FILTER/PUMP ASSEMBLY	36
WATER PUMP ASSEMBLY	37
TRANSMISSION ASSEMBLY	38
SECONDARY TRANSMISSION ASSEMBLY	39
SECONDARY DRIVE ASSEMBLY	40
GEAR SHIFTING ASSEMBLY	41
STARTER MOTOR ASSEMBLY	42
MAGNETO ASSEMBLY	43
CONTROL SWITCH HOUSING ASSEMBLY	44
THROTTLE CASE ASSEMBLY	45
RELATED ITEMS	Back Cover

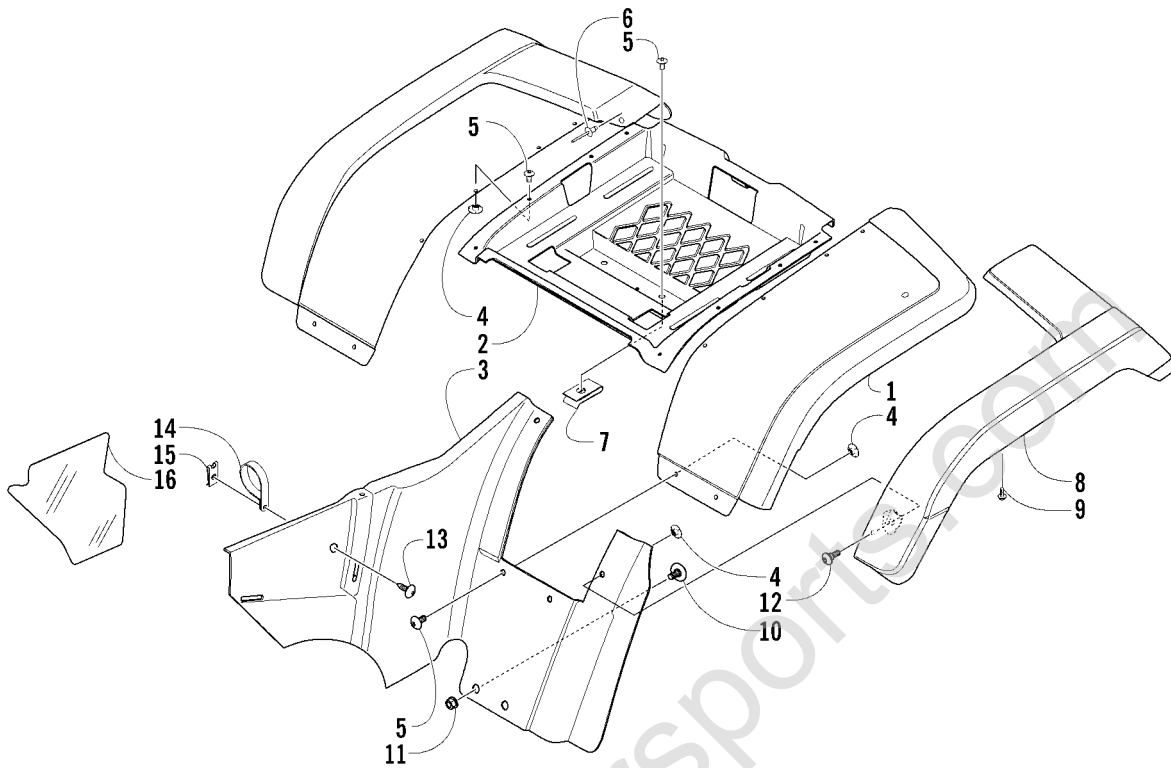
■ NOTE: The illustrations used in this Parts Manual are for reference to replacement part numbers only and are not to be used for assembly. For assembly procedures, use an Arctic Cat Service Manual. Underlined part numbers are new for the 2005 model year.



FRONT BODY PANEL ASSEMBLY

0739-643

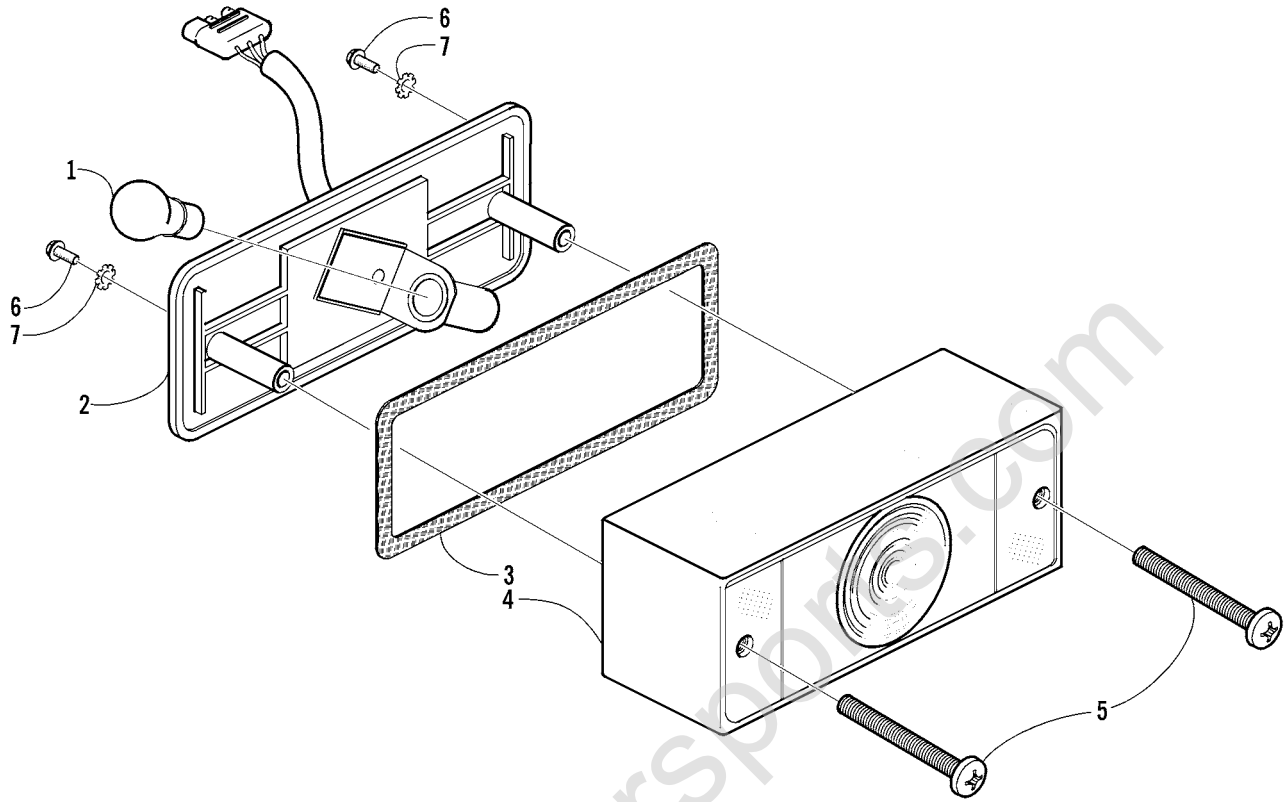
Ref.	Part No.	Qty.	Description	Ref.	Part No.	Qty.	Description
1	<u>3403-018</u>	1	Rack - Front - Assembly (inc. 2-4)	17	0506-548	1	Panel, Side - Right
2	0411-576	1	● Decal, Warning - Front Rack Load		0506-243	1	Panel, Side - Left
3	0441-592	4	● Bushing, Rack		0506-549	1	Panel, Side - Right (Green)
4	0441-556	6	● Bushing, Rack		0506-673	1	Panel, Side - Left (Green)
5	0423-360	2	Screw, Cap		0506-722	1	Panel, Side - Right (Cat Green)
6	<u>3403-025</u>	2	Screw, Cap		0506-723	1	Panel, Side - Left (Cat Green)
7	0411-646	2	Decal, Reflector - Amber	18	0623-362	4	Rivet, Reinstallable
8	1506-158	1	Flare - Front - Right	19	0623-309	2	Screw, Self-Tapping
	1506-159	1	Flare - Front - Left	20	8424-602	2	Nut, Flange
9	0423-357	2	Nut, Stamped	21	0423-356	2	Screw, Shoulder
10	<u>1506-477</u>	1	Panel, Fender - Front (inc. 11)	22	0423-077	6	T-Nut w/Teeth
	<u>1506-476</u>	1	Panel, Fender - Front (inc. 11) (Green)	23	1506-194	2	Extension, Flare - Front
	<u>1506-478</u>	1	Panel, Fender - Front (inc. 11) (Cat Green)	24	0423-361	4	Screw, Machine
11	1406-142	1	● Cover, Access	25	1406-063	1	Panel, Fender - Inner Right
	1406-141	1	● Cover, Access (Green)		1406-064	1	Panel, Fender - Inner Left
	1406-041	1	● Cover, Access (Cat Green)	26	1406-006	2	Panel, Fender - Inner
12	0423-101	AR	Screw, Body	27	0123-788	AR	Cable Tie - 7.5 in.
13	0423-031	2	Nut, Speed	28	0423-046	4	Rivet, Plastic
14	8477-616	2	Screw, Machine	29	1506-199	1	Panel, Kick - Right
15	0423-342	6	Screw, Self-Tapping		1506-200	1	Panel, Kick - Left
16	0470-404	1	Grommet, Fuel Shut-Off Valve				



REAR BODY PANEL ASSEMBLY

0739-910

Ref.	Part No.	Qty.	Description	Ref.	Part No.	Qty.	Description
1	0506-908	1	Panel, Fender - Rear - Right	7	0423-031	2	Nut, Speed
	0506-910	1	Panel, Fender - Rear - Left	8	0506-552	1	Flare, Rear - Right
	0506-909	1	Panel, Fender - Rear - Right (Green)		0506-553	1	Flare, Rear - Left
	0506-911	1	Panel, Fender - Rear - Left (Green)	9	0423-342	6	Screw, Self-Tapping
	1506-228	1	Panel, Fender - Rear - Right (Cat Green)	10	0423-101	2	Screw, Body
	1506-230	1	Panel, Fender - Rear - Left (Cat Green)	11	8424-602	2	Nut, Flange
2	0506-935	1	Tray, Storage	12	0423-355	2	Screw, Shoulder
3	0506-923	1	Extension, Fender - Rear - Right	13	0623-784	2	Screw, Self-Tapping
	0506-924	1	Extension, Fender - Rear - Left	14	0423-044	2	Clamp, Tube
4	0423-077	14	T-Nut w/Teeth	15	0423-466	2	Clip, Tinerman
5	8468-616	14	Screw, Machine	16	1406-262	1	Shield, Heat
6	0423-046	2	Rivet, Plastic				

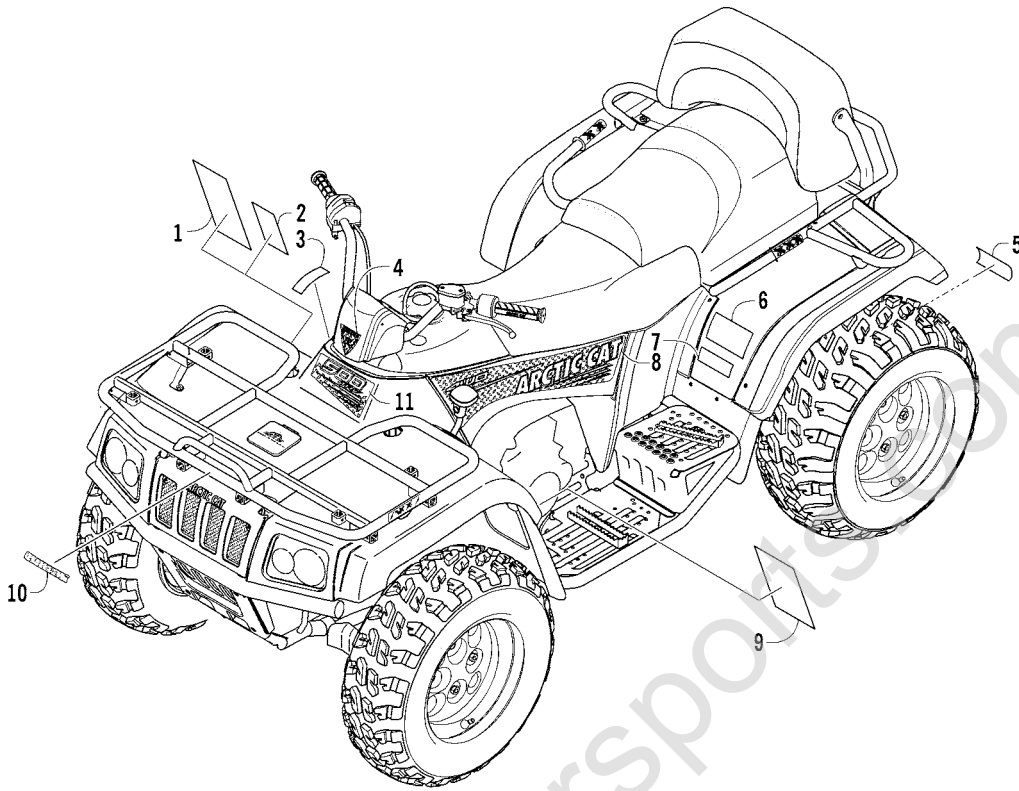


TAILLIGHT ASSEMBLY

(Complete Taillight Assembly p/n 0409-002)

0732-336

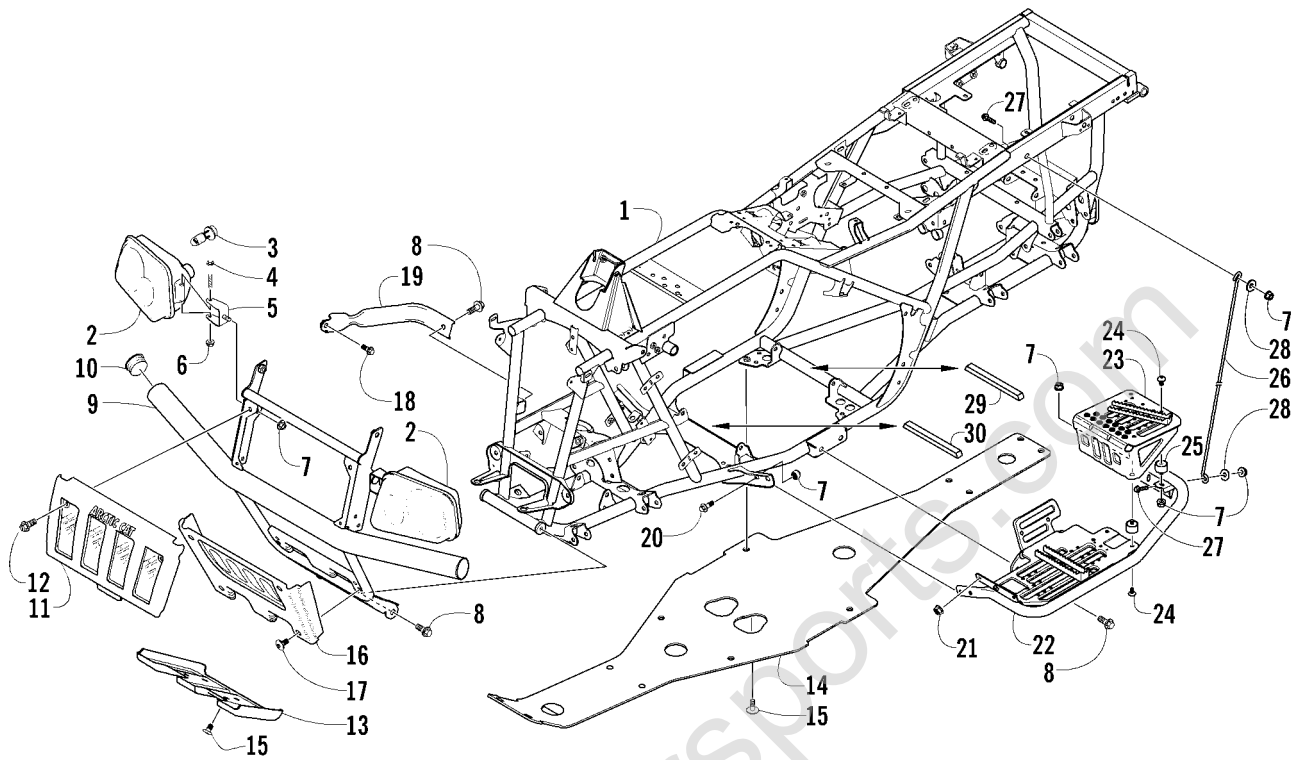
Ref.	Part No.	Qty.	Description	Ref.	Part No.	Qty.	Description
1	0109-460	1	Bulb, Stop/Taillight	5	0409-010	2	Screw, Machine
2	0409-058	1	Taillight w/Socket Assembly	6	0423-421	2	Screw, Self-Tapping
3	0409-012	1	Gasket, Taillight Lens	7	8053-212	2	Washer, Lock - External Tooth
4	0409-007	1	Lens, Taillight				



DECALS

0739-648

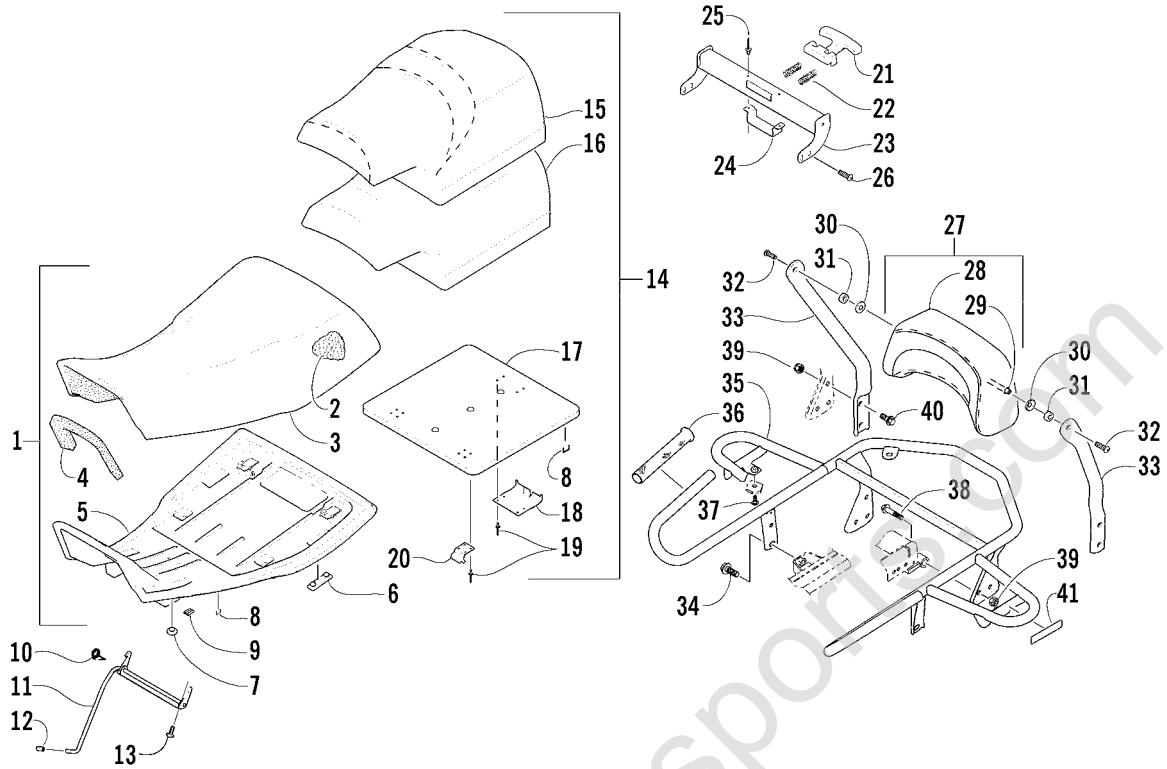
Ref.	Part No.	Qty.	Description	Ref.	Part No.	Qty.	Description
1	<u>1411-250</u>	1	Decal, Warning - Reverse/Pre-Ride	9	<u>0411-753</u>	1	Decal, Warning - General/Age
2	<u>0411-894</u>	1	Decal, Warning - Turn	10	<u>0411-965</u>	1	Decal, "Speedrack"
3	<u>0411-426</u>	1	Decal, Warning - Clutch Cover	11	<u>0411-830</u>	1	Decal, Front
4	<u>0411-780</u>	1	Decal, Crest		<u>0411-829</u>	1	Decal, Front (Green)
	<u>0411-781</u>	1	Decal, Crest (Green)		<u>0411-831</u>	1	Decal, Front (Cat Green)
	<u>0411-782</u>	1	Decal, Crest (Cat Green)				
5	<u>0411-267</u>	1	Decal, Warning - Towing				
6	<u>0411-833</u>	1	Decal, Warning - Passengers				
7	<u>0411-832</u>	1	Decal, Warning - Tire Pressure				
8	<u>0411-774</u>	1	Decal, Side - Right				
	<u>0411-775</u>	1	Decal, Side - Left				
	<u>0411-776</u>	1	Decal, Side - Right (Green)				
	<u>0411-777</u>	1	Decal, Side - Left (Green)				
	<u>0411-778</u>	1	Decal, Side - Right (Cat Green)				
	<u>0411-779</u>	1	Decal, Side - Left (Cat Green)				



FRAME AND RELATED PARTS

0739-649

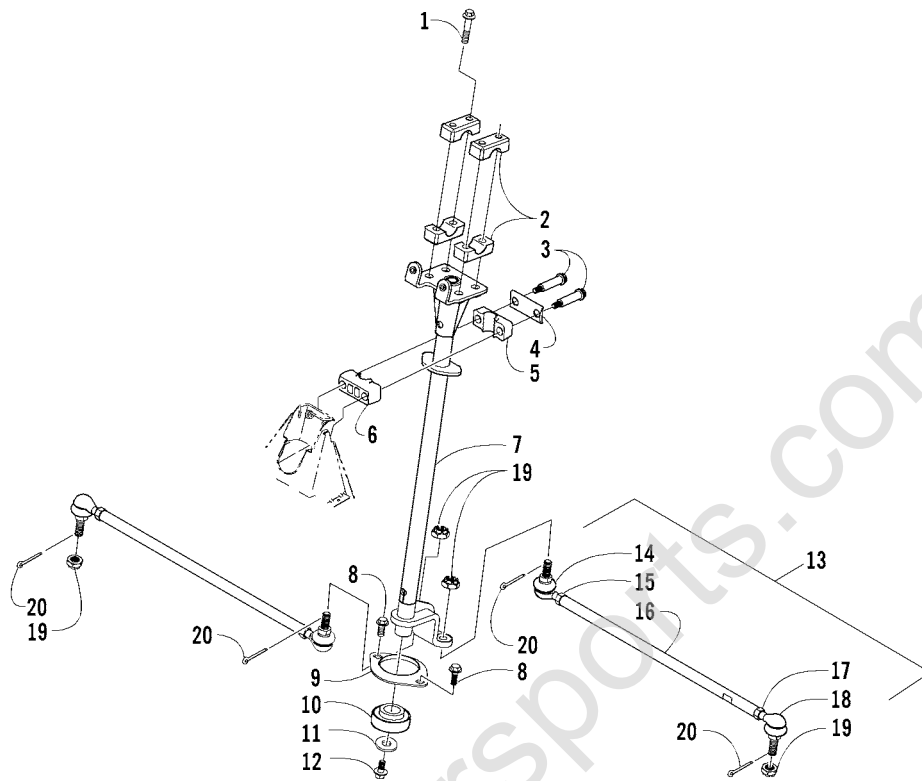
Ref.	Part No.	Qty.	Description	Ref.	Part No.	Qty.	Description
1	<u>1506-460</u>	1	Frame, Main	16	1406-420	1	Grille, Bumper - Lower
2	0409-032	1	Headlight Assembly - Right (inc. 3-6)	17	8468-830	4	Screw, Machine
	0409-031	1	Headlight Assembly - Left (inc. 3-6)	18	8408-812	2	Screw, Cap
3	0409-045	4	● Bulb, Headlight	19	0506-653	2	Channel, Bumper Mounting
4	8410-860	2	● Screw, Cap	20	8408-816	8	Screw, Cap
5	0406-945	2	● Bracket, Headlight Mounting	21	8424-602	2	Nut, Flange
6	0423-375	2	● Nut, Flange	22	<u>1506-506</u>	1	Footrest - Right
7	8424-802	18	Nut, Flange		<u>1506-507</u>	1	Footrest - Left
8	8409-020	8	Screw, Cap	23	<u>1506-508</u>	1	Footrest, Passenger - Right
9	0506-544	1	Bumper		<u>1506-509</u>	1	Footrest, Passenger - Left
10	0406-130	2	Cap, Bumper	24	0423-412	8	Screw, Machine
11	0406-832	1	Grille, Upper	25	<u>1406-643</u>	8	Mount, Rubber
12	0423-361	2	Screw, Machine	26	<u>1406-641</u>	1	Rod, Support - Right
13	<u>1441-006</u>	1	Plate, Skid		<u>1406-642</u>	1	Rod, Support - Left
	<u>1441-008</u>	1	Plate, Skid (Green)	27	8408-825	2	Screw, Cap
	<u>1441-007</u>	1	Plate, Skid (Cat Green)	28	8050-282	2	Washer
14	1406-176	1	Panel, Belly	29	0406-289	1	Pad, Frame - Rear
15	0423-101	AR	Screw, Body	30	1506-067	1	Foam, Frame



SEAT ASSEMBLY

0738-304

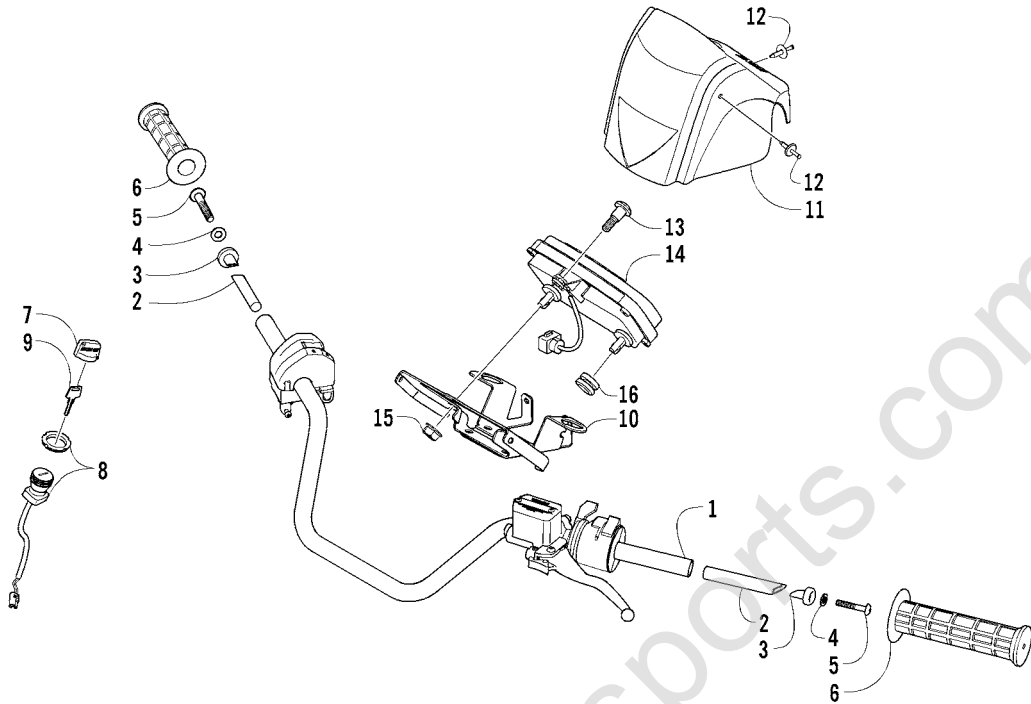
Ref.	Part No.	Qty.	Description	Ref.	Part No.	Qty.	Description
1	0506-613	1	Seat Assembly - Front (inc. 2-9)	22	2606-154	2	Spring, Passenger Seat Latch
2	0506-555	1	● Foam, Seat	23	0506-940	1	Channel, Passenger Seat Latch
3	0506-556	1	● Cover, Seat	24	2706-130	1	Bracket, Retainer - Passenger Seat Latch
4	1406-060	1	● Foam, Sound	25	8060-706	2	Rivet
5	0406-925	1	● Base, Seat Assembly (inc. 6-7)	26	8477-610	4	Screw, Machine
6	0406-879	2	●● Bumper, Seat - Rear	27	1506-641	1	Backrest Assembly (inc. 28-29)
7	0406-877	2	●● Bumper, Seat - Front	28	1506-640	1	● Cover, Backrest w/Graphic
8	0624-528	AR	● Staple	29	0114-163	1	● Axle, Backrest
9	0406-930	2	● Plate, Strike - Front Seat Latch	30	0723-003	2	Washer, Cup
10	1406-112	1	Spring, Front Seat Latch	31	0616-547	2	Block, Tension - Backrest
11	1406-185	1	Latch, Seat - Front	32	0623-566	2	Screw, Machine
12	0623-404	1	Cap, Protector	33	0506-965	1	Support, Backrest - Right
13	8477-616	2	Screw, Machine		0506-966	1	Support, Backrest - Left
14	1506-137	1	Seat Assembly - Passenger (inc. 8 and 15-20)	34	8409-020	2	Screw, Cap
15	1506-138	1	● Cover, Seat	35	1506-141	1	Handhold, Passenger
16	1506-139	1	● Foam, Seat	36	1606-442	2	Grip, Passenger Handhold
17	1406-194	1	● Base, Seat	37	0423-101	2	Screw, Body
18	2606-161	1	● Plate, Strike - Passenger Seat Latch	38	0423-420	2	Screw, Shoulder
19	0423-425	12	● Rivet	39	8428-002	6	Nut, Lock
20	1406-203	2	● Bracket, Seat	40	8409-025	4	Screw, Cap
21	2606-159	1	Latch, Seat - Passenger	41	0411-652	2	Decal, Reflector - Red



STEERING POST ASSEMBLY

0739-452

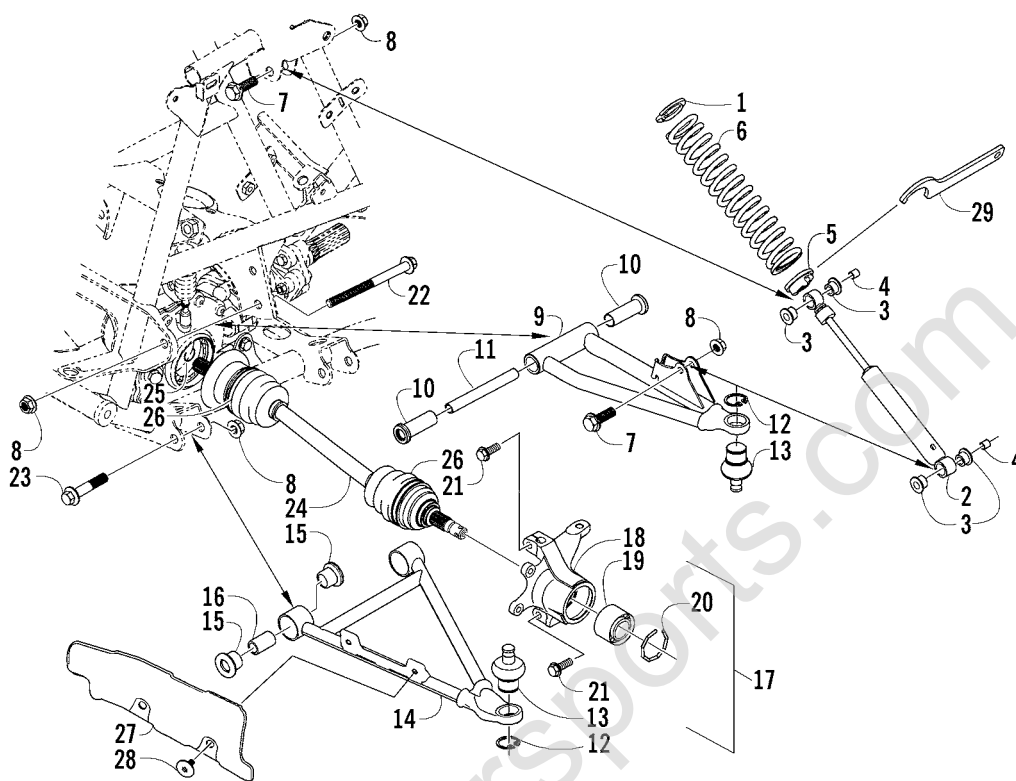
Ref.	Part No.	Qty.	Description	Ref.	Part No.	Qty.	Description
1	8408-860	4	Screw, Cap	11	0423-073	1	Washer
2	0405-035	4	Cap, Steering Adjuster	12	8409-020	1	Screw, Cap
3	0423-505	2	Screw, Shoulder	13	0505-408	2	Tie Rod - Assembly (inc. 14-18)
4	0405-166	1	Cap, Housing	14	0405-083	2	● Ball Joint, Tie Rod - Left
5	0405-138	1	Housing, Lower	15	0423-013	2	● Nut - Left
6	0405-139	1	Housing, Upper	16	0405-107	2	● Tie Rod
7	0505-431	1	Post, Steering	17	8420-002	2	● Nut - Right
8	8408-816	2	Screw, Cap	18	0405-082	2	● Ball Joint, Tie Rod - Right
9	0602-233	1	Flange, Bearing	19	0423-157	4	Nut, Top Lock
10	0405-052	1	Bearing w/Inverted Oil Seal	20	0623-175	4	Pin, Cotter



HANDLEBAR ASSEMBLY

0739-650

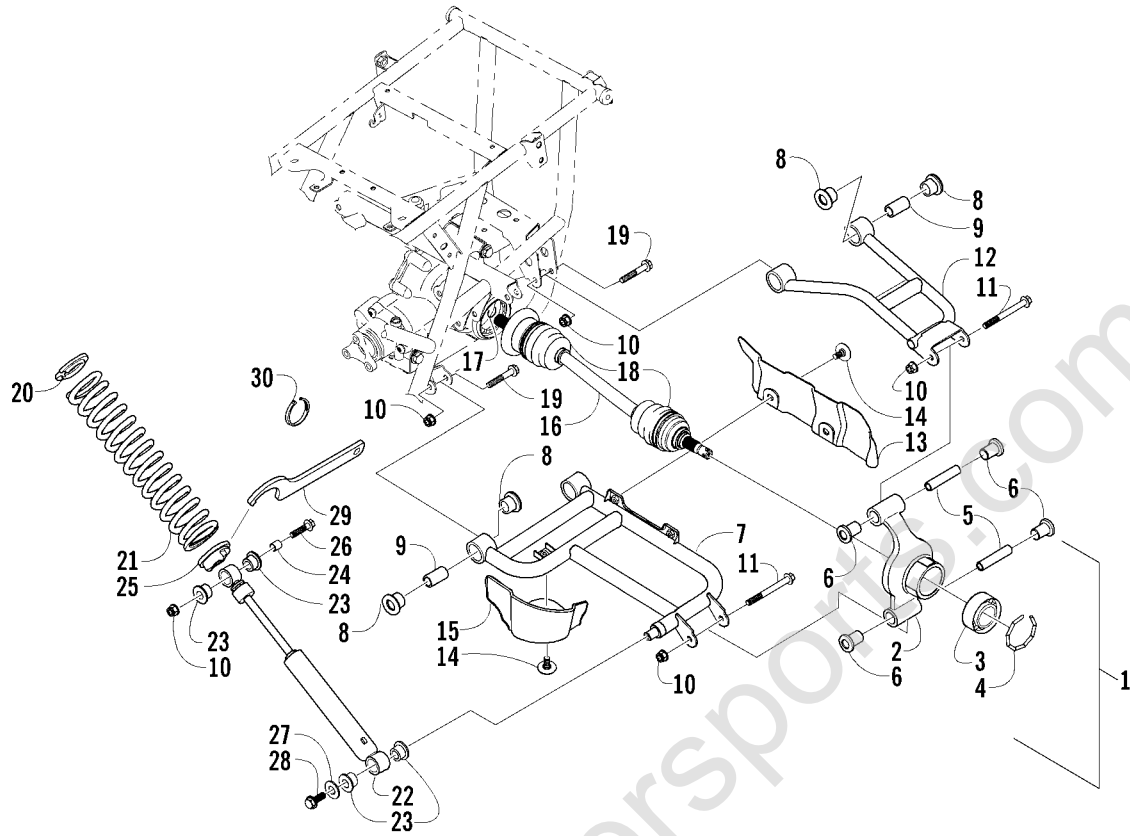
Ref.	Part No.	Qty.	Description	Ref.	Part No.	Qty.	Description
1	0505-418	1	Tube, Handlebar	10	1506-423	1	Bracket, Mounting - Instrument Pod
2	0405-148	2	Plug, Handlebar	11	0405-133	1	Instrument Pod
3	0405-149	2	End Cap, Handlebar		0405-132	1	Instrument Pod (Green)
4	8050-247	2	Washer		0405-134	1	Instrument Pod (Cat Green)
5	8477-845	2	Screw, Machine	12	0623-362	4	Rivet, Reinstallable
6	0405-147	2	Grip, Handlebar	13	0423-356	1	Screw, Shoulder
7	0409-013	1	Cover, Key	14	0420-045	1	Gauge, Digital
8	3430-040	1	Switch, Ignition - Assembly (inc. 9)	15	8424-602	1	Nut, Flange
9	3409-007	1	● Key, Ignition - Blank (C Series)	16	0423-448	2	Grommet
	3409-011	1	● Key, Ignition - Blank (D Series)				
	3409-012	1	● Key, Ignition - Blank (E Series)				
	3409-013	1	● Key, Ignition - Blank (F Series)				



FRONT SUSPENSION ASSEMBLY

0739-603 *Not a Service Part

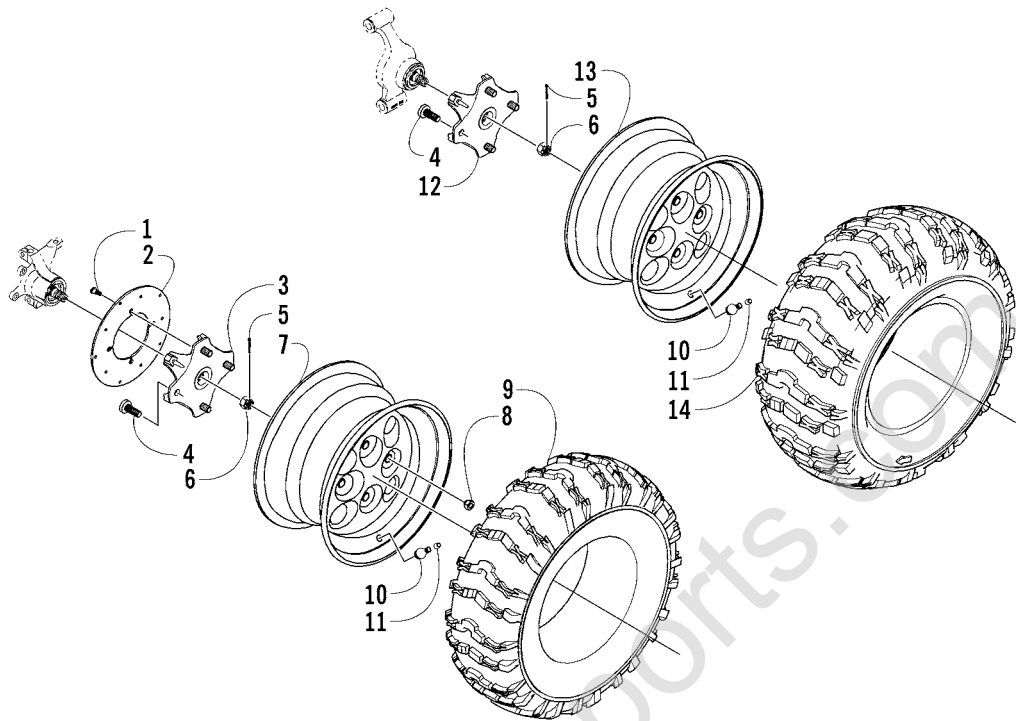
Ref.	Part No.	Qty.	Description	Ref.	Part No.	Qty.	Description
1	1603-889	2	Retainer, Spring	15	0403-115	8	● Bushing
2	0403-135	2	Shock Absorber - Front (inc. 3-4)	16	0403-114	4	● Collar
3	0604-310	8	● Bushing, Shock Absorber	17	<u>0505-446</u>	1	Knuckle - Assembly - Right (inc. 18-20)
4	0403-028	4	● Sleeve, Shock		<u>0505-447</u>	1	Knuckle - Assembly - Left (inc. 18-20)
5	0403-102	2	Cam, Spring Adjuster	18	*	1	● Knuckle, Steering - Right
6	<u>0503-281</u>	2	Spring, Shock Absorber - Platinum		*	1	● Knuckle, Steering - Left
	<u>0503-280</u>	2	Spring, Shock Absorber - Black (Green)	19	1402-027	2	● Bearing, Wheel Hub
7	8409-040	4	Screw, Cap	20	0423-423	2	● Ring, Retaining
8	8428-002	10	Nut, Lock	21	8409-030	4	Screw, Cap
9	<u>0503-272</u>	1	A-Arm, Upper Right - Platinum (inc. 10-13)	22	0423-334	2	Screw, Cap
	<u>0503-273</u>	1	A-Arm, Upper Left - Platinum (inc. 10-13)	23	8409-075	4	Screw, Cap
	0503-196	1	A-Arm, Upper Right - Black (inc. 10-13) (Green)	24	<u>0502-542</u>	2	Axle, Drive - Front (inc. 25-26)
	0503-197	1	A-Arm, Upper Left - Black (inc. 10-13) (Green)	25	0441-400	2	● Clip, Retaining
10	0403-081	4	● Bushing	26	0436-276	2	● Repair Kit, Boot - Front Axle
11	0403-080	2	● Collar	27	<u>0441-752</u>	1	Guard, Boot - Axle - Right
12	0423-009	4	● Clip, Ball Joint		<u>0441-753</u>	1	Guard, Boot - Axle - Left
13	0405-115	4	● Ball Joint - Front		<u>1441-002</u>	1	Guard, Boot - Axle - Right (Green)
14	<u>0503-268</u>	1	A-Arm, Lower Right - Platinum (inc. 12-13 and 15-16)		<u>1441-003</u>	1	Guard, Boot - Axle - Left (Green)
	<u>0503-269</u>	1	A-Arm, Lower Left - Platinum (inc. 12-13 and 15-16)		<u>0441-756</u>	1	Guard, Boot - Axle - Right (Cat Green)
	0503-220	1	A-Arm, Lower Right - Black (inc. 12-13 and 15-16) (Green)		<u>0441-757</u>	1	Guard, Boot - Axle - Left (Cat Green)
	0503-221	1	A-Arm, Lower Left - Black (inc. 12-13 and 15-16) (Green)	28	0423-101	4	Screw, Body
				29	0441-587	1	Wrench, Spanner



REAR SUSPENSION ASSEMBLY

0739-532 *Not a Service Part

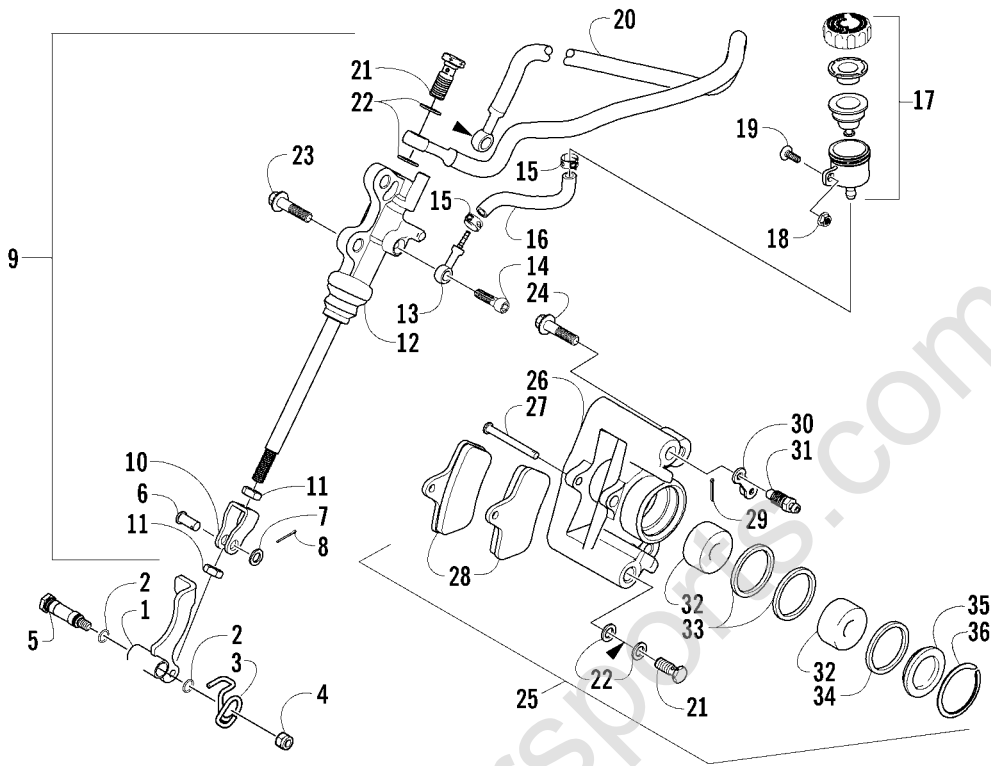
Ref.	Part No.	Qty.	Description	Ref.	Part No.	Qty.	Description
1	0504-312	1	Knuckle, Right Rear - Assembly (inc. 2-6)	13	<u>0441-754</u>	1	Guard, Boot - Right
	0504-313	1	Knuckle, Left Rear - Assembly (inc. 2-6)		<u>0441-755</u>	1	Guard, Boot - Left
2	*	1	● Knuckle - Right		<u>1441-004</u>	1	Guard, Boot - Right (Green)
	*	1	● Knuckle - Left		<u>1441-005</u>	1	Guard, Boot - Left (Green)
3	1402-027	2	● Bearing, Wheel Hub		<u>0441-758</u>	1	Guard, Boot - Left (Cat Green)
4	0423-423	2	● Ring, Retaining		<u>0441-759</u>	1	Guard, Boot - Left (Cat Green)
5	0403-038	4	● Collar, Suspension Bushing	14	0423-101	6	Screw, Body
6	0403-032	8	● Bushing, Suspension	15	1406-071	1	Guard, Boot - Right
7	<u>0504-326</u>	1	A-Arm, Rear - Lower Right - Platinum (inc. 8-9)		1406-072	1	Guard, Boot - Left
	<u>0504-327</u>	1	A-Arm, Rear - Lower Left - Platinum (inc. 8-9)	16	<u>0502-596</u>	2	Axle, Drive (inc. 17-18)
	0504-320	1	A-Arm, Rear - Lower Right - Black (inc. 8-9) (Green)	17	0441-400	2	● Clip, Retaining
	0504-321	1	A-Arm, Rear - Lower Left - Black (inc. 8-9) (Green)	18	0436-276	2	● Repair Kit, Boot - Rear Axle
8	0403-115	16	● Bushing	19	8409-075	8	Screw, Cap
9	0403-114	8	● Collar	20	1603-889	2	Retainer, Spring
10	8428-002	14	Nut, Lock	21	<u>0504-337</u>	2	Spring, Suspension - Platinum
11	8409-000	4	Screw, Cap		<u>0504-336</u>	2	Spring, Suspension - Black (Green)
12	<u>0504-330</u>	1	A-Arm, Rear - Upper Right - Platinum (inc. 8-9)	22	0404-078	2	Shock Absorber - Rear (inc. 23-24)
	<u>0504-331</u>	1	A-Arm, Rear - Upper Left - Platinum (inc. 8-9)	23	0604-310	8	● Bushing, Shock Absorber
	0504-318	1	A-Arm, Rear - Upper Right - Black (inc. 8-9) (Green)	24	0403-028	2	● Sleeve, Shock Absorber
	0504-319	1	A-Arm, Rear - Upper Left - Black (inc. 8-9) (Green)	25	0404-057	2	Cam, Spring Adjuster
				26	8409-040	2	Screw, Cap
				27	0423-087	2	Washer
				28	8408-820	2	Screw, Cap
				29	0441-587	1	Wrench, Spanner



WHEEL AND TIRE ASSEMBLY

0739-534

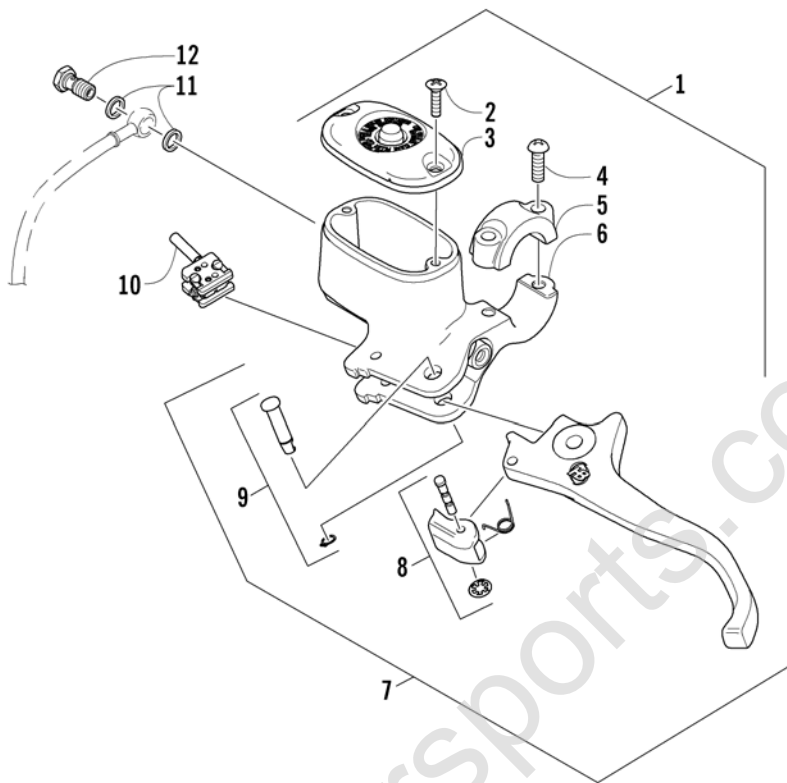
Ref.	Part No.	Qty.	Description	Ref.	Part No.	Qty.	Description
1	0423-029	12	Screw, Machine	9	1402-100	2	Tire - Front
2	1402-225	3	Disc, Brake	10	0402-064	4	Stem, Valve (inc. 11)
3	0502-599	2	Hub, Wheel - Front (inc. 4)	11	0402-140	4	● Cap, Valve Stem
4	0402-974	16	● Stud, Wheel Hub	12	0502-601	1	Hub, Wheel - Rear - Left (inc. 4)
5	0423-407	4	Pin, Cotter		0502-599	1	Hub, Wheel - Rear - Right (inc. 4)
6	0423-394	4	Nut, Castle	13	1402-115	2	Wheel - Rear - Platinum
7	1402-127	2	Wheel - Front - Platinum		0402-858	2	Wheel - Rear - Gray (Green)
	0402-856	2	Wheel - Front - Gray (Green)	14	1402-137	2	Tire - Rear
8	0423-408	16	Nut, Mounting - Wheel				



AUXILIARY BRAKE ASSEMBLY

0739-651 *Not a Service Part

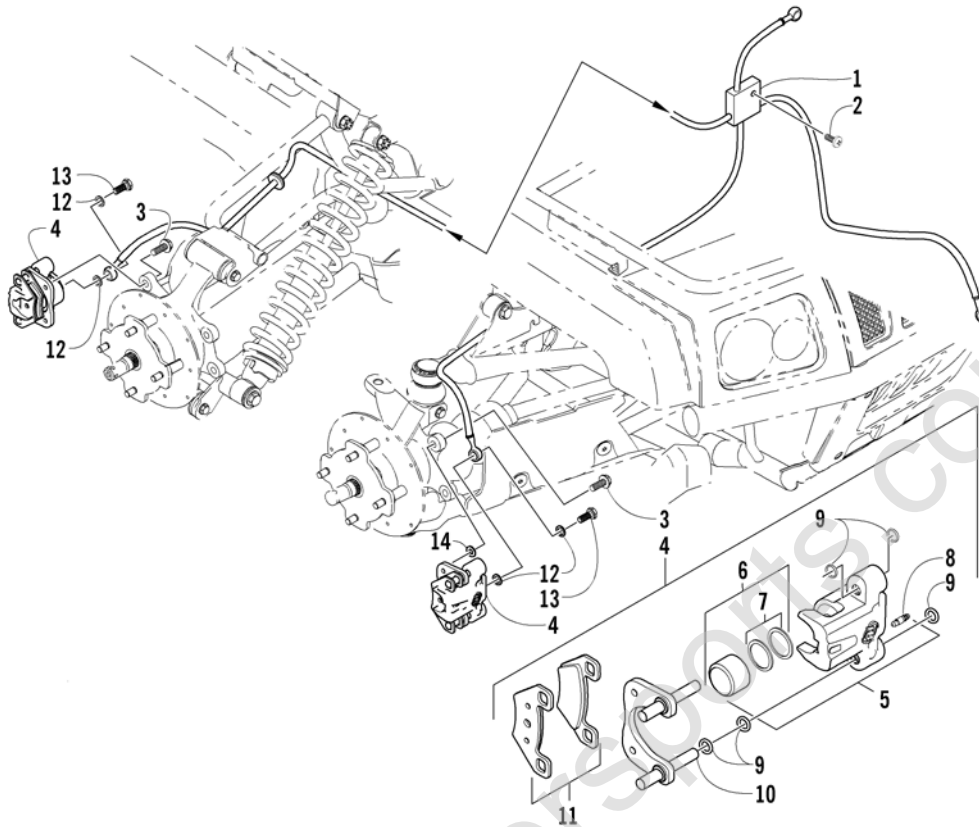
Ref.	Part No.	Qty.	Description	Ref.	Part No.	Qty.	Description
1	<u>0502-645</u>	1	Lever, Brake	19	0623-121	1	Screw, Machine
2	1602-213	2	O-Ring	20	<u>1402-268</u>	1	Hose, Brake
3	<u>0502-651</u>	1	Spring, Brake Lever	21	0423-413	2	Bolt, Banjo Fitting
4	8422-002	1	Nut	22	0423-178	4	Washer, Crush
5	0402-872	1	Axle, Brake Lever	23	8408-825	2	Screw, Cap
6	0402-575	1	Pin, Clevis	24	8408-820	2	Screw, Cap
7	0402-583	1	Washer	25	<u>0502-457</u>	1	Caliper, Brake (inc. 26-36)
8	0402-584	1	Pin, Cotter	26	*	1	● Housing, Caliper
9	<u>0502-666</u>	1	Brake Assembly (inc. 10-17)	27	0402-495	1	● Pin, Brake Caliper
10	0402-580	1	● Actuator, Push Rod	28	<u>1402-126</u>	2	● Pad, Brake
11	0402-592	2	● Nut, Jam	29	0423-495	1	● Pin, Cotter
12	*	1	● Master Cylinder	30	0402-493	1	● Cap, Bleed Valve
13	<u>1402-277</u>	1	● Fitting, Banjo	31	<u>1402-123</u>	1	● Valve, Bleed
14	<u>1402-278</u>	1	● Bolt, Banjo Fitting	32	<u>1402-125</u>	2	● Piston
15	<u>0423-525</u>	2	● Clamp, Hose	33	0402-980	2	● O-Ring, Brake Caliper
16	<u>1402-267</u>	1	● Hose, Brake Reservoir	34	*	1	● O-Ring
17	<u>1402-257</u>	1	● Reservoir, Brake	35	*	1	● Plug
18	8424-502	1	Nut, Flanged	36	*	1	● Ring, Retaining



HYDRAULIC HAND BRAKE ASSEMBLY

0739-479

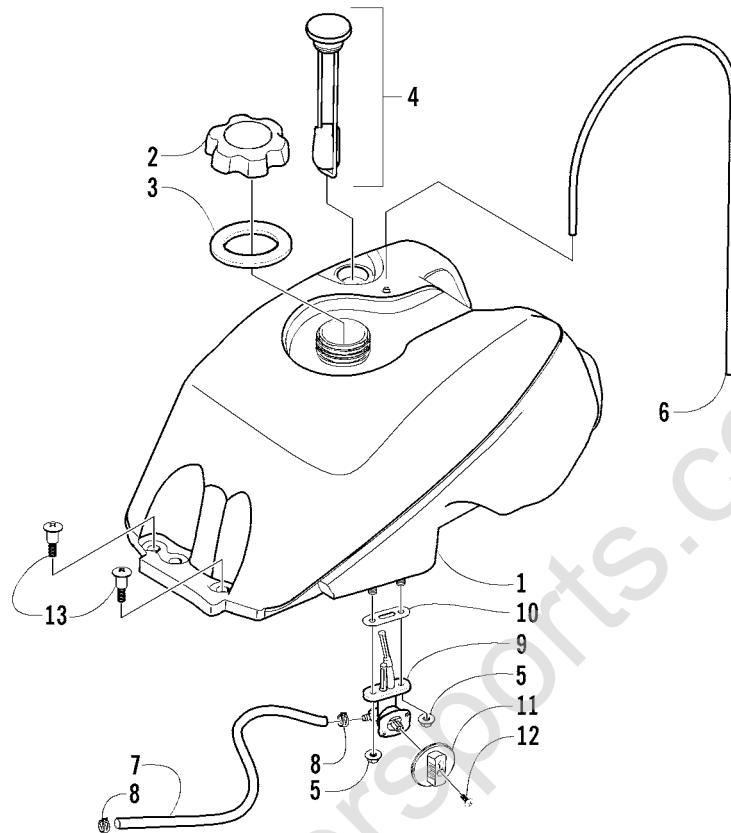
Ref.	Part No.	Qty.	Description	Ref.	Part No.	Qty.	Description
1	<u>0502-632</u>	1	Brake Assembly (inc. 2-10)	7	<u>0502-634</u>	1	● Lever Assembly - Kit (inc. 8-9)
2	0502-566	1	● Screw, Reservoir Cover - Kit	8	<u>0502-635</u>	1	●● Lock, Brake Lever - Kit
3	0502-565	1	● Cover, Reservoir - Kit	9	0502-580	1	●● Lever Pin - Kit
4	0502-568	1	● Screw, Master Cylinder Clamp - Kit	10	0502-564	1	● Switch, Brake - Kit
5	0502-567	1	● Clamp, Master Cylinder - Kit	11	0423-178	2	Washer, Crush
6	<u>0502-633</u>	1	● Master Cylinder Assembly - Kit	12	0423-413	1	Bolt, Banjo Fitting



HYDRAULIC BRAKE ASSEMBLY

0739-796R

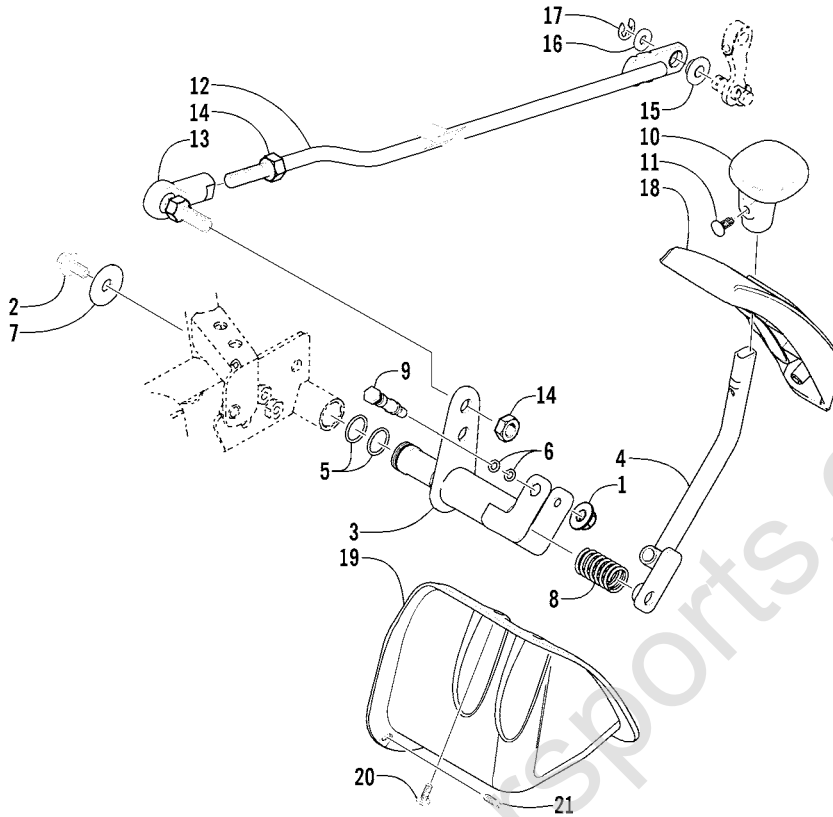
Ref.	Part No.	Qty.	Description	Ref.	Part No.	Qty.	Description
1	0502-628	1	Hose, Brake - Assembly	6	0502-606	3	●● Piston/Seal Set (inc. 7)
2	8476-625	1	Screw, Cap	7	0502-607	3	●●● Seal Set
3	8408-820	6	Screw, Cap	8	0502-609	3	●● Valve, Bleed
4	0502-602	1	Caliper, Brake - Right Front (inc. 5-11)	9	0502-608	3	● O-Ring, Guide - Set
	0502-610	2	Caliper, Brake - Left Front and Right Rear (inc. 5-11)	10	0502-605	3	● Bracket Assembly
5	0502-603	1	● Housing, Caliper - Assembly - Right Front (inc. 6-8)	11	0502-604	3	● Pad, Brake - Set
	0502-611	2	● Housing, Caliper - Assembly - Left Front and Right Rear (inc. 6-8)	12	0423-178	8	Washer, Crush
				13	0423-413	4	Bolt, Banjo Fitting
				14	0423-562	4	Spacer



GAS TANK ASSEMBLY

0736-991

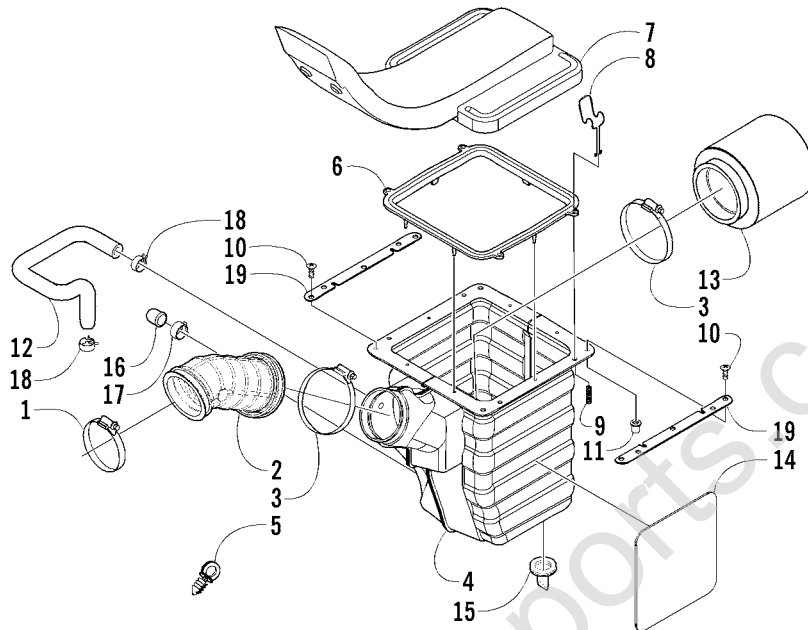
Ref.	Part No.	Qty.	Description	Ref.	Part No.	Qty.	Description
1	0570-066	1	Tank, Gas - Assembly (inc. 2-10)	8	0423-152	2	● Clamp, Hose - Spring
2	0470-438	1	● Cap, Gas Tank (inc. 3)	9	0470-445	1	● Valve, Fuel Shut-Off (inc. 10)
3	0109-733	1	●● Gasket, Tank Cap	10	0470-364	1	●● Gasket, Fuel Shut-Off Valve
4	0570-086	1	● Gauge, Fuel w/Gasket (Press-Fit)	11	0470-408	1	Knob, Fuel Shut-Off Valve
5	0423-398	2	● Nut, Lock	12	0423-146	1	Screw, Fuel Shut-Off Valve Knob
6	0470-416	1	● Hose, Vent	13	0423-130	2	Screw, Gas Tank
7	0610-007	AR	● Hose, Gasline - 25 ft				



REVERSE SHIFT LEVER ASSEMBLY

0737-070

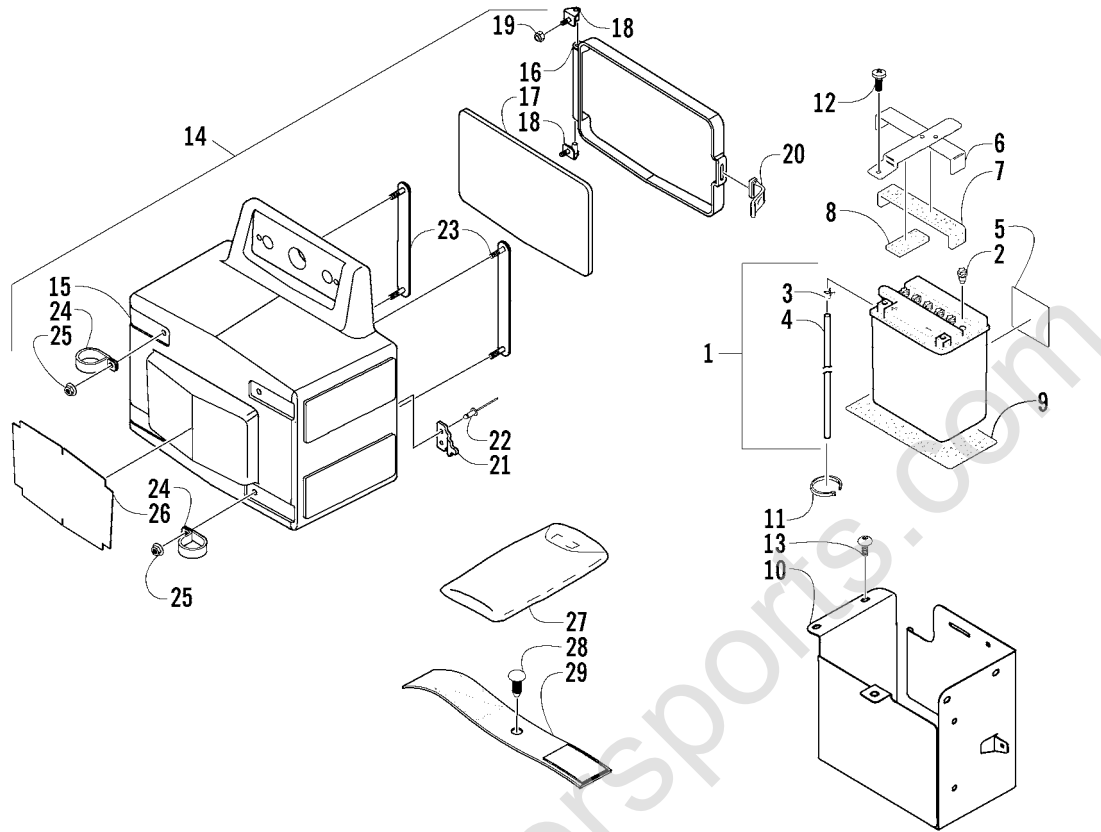
Ref.	Part No.	Qty.	Description	Ref.	Part No.	Qty.	Description
1	8424-602	1	Nut	12	0502-146	1	Linkage, Shift
2	8408-812	1	Screw, Cap	13	1402-270	1	End, Rod
3	0502-187	1	Axle, Reverse Shift Lever	14	0623-294	2	Nut
4	0502-185	1	Lever, Reverse Shift	15	0423-091	1	Bushing, Shift Linkage
5	0423-299	2	O-Ring	16	8050-242	1	Washer
6	0423-182	2	O-Ring	17	0423-169	1	E-Ring
7	0423-087	1	Washer	18	0402-685	1	Plate, Shift
8	0502-410	1	Spring, Reverse Shift Lever	19	0406-943	1	Shield, Linkage
9	0402-675	1	Axle, Pivot	20	0423-371	3	Screw, Machine
10	0402-843	1	Handle, Reverse Shift Lever	21	0623-309	1	Screw, Self-Tapping
11	0423-345	1	Clip, Push				



AIR INTAKE ASSEMBLY

0736-950

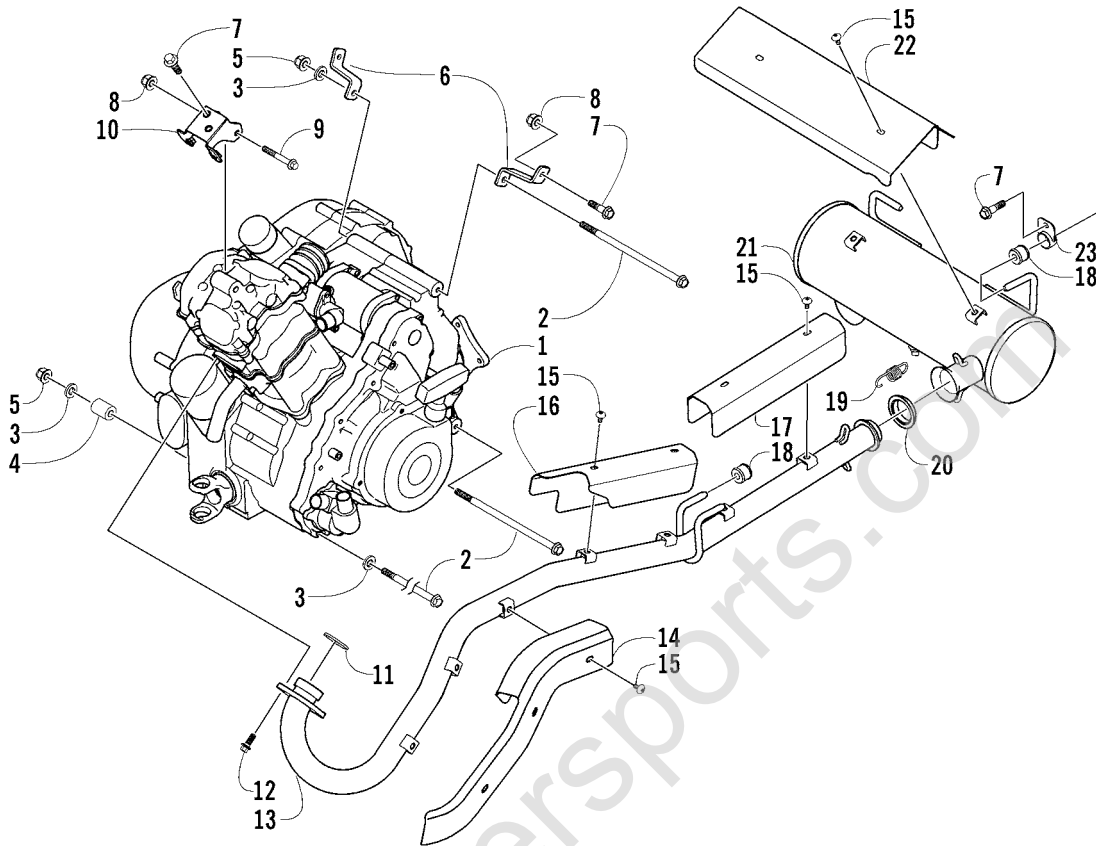
Ref.	Part No.	Qty.	Description	Ref.	Part No.	Qty.	Description
1	0423-019	1	Clamp	11	0123-010	4	Nut, Expansion
2	0470-455	1	Boot, Air Intake	12	0410-045	1	Hose, Crankcase Vent
3	0423-018	2	Clamp	13	0470-460	1	Filter, Air
4	0470-446	1	Housing, Air Intake	14	0412-141	1	Shield, Heat
5	0623-101	1	Clip, Retaining	15	0470-442	1	Valve, Drain
6	0470-343	1	Gasket	16	1673-272	1	Cap, Drain Tube
7	0470-459	1	Snorkel	17	0423-047	1	Clamp, Hose
8	0470-307	4	Clamp	18	0423-045	2	Clamp, Hose - Spring
9	0423-037	4	Spring	19	0470-351	2	Support, Air Intake Flange
10	0623-121	4	Screw, Machine				



STORAGE BOX AND BATTERY ASSEMBLY

0738-927

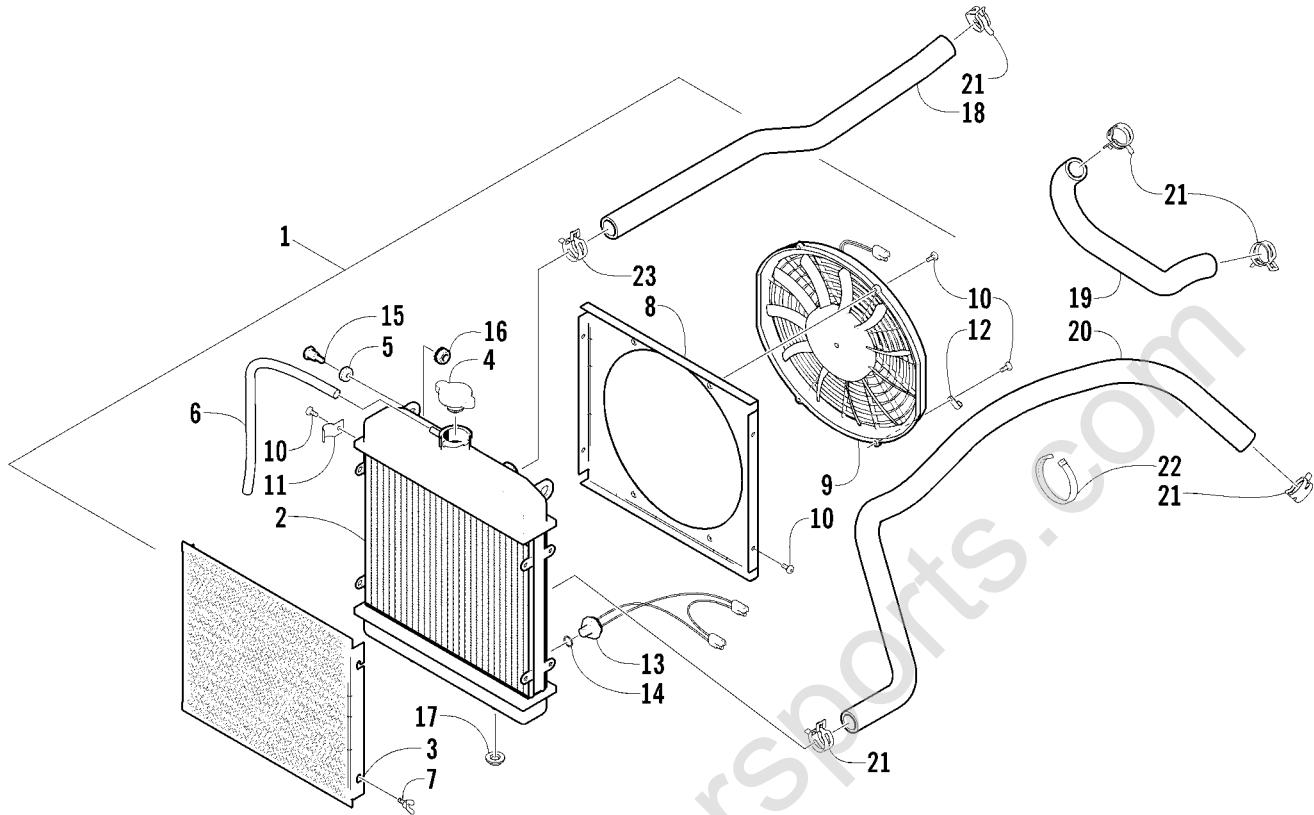
Ref.	Part No.	Qty.	Description	Ref.	Part No.	Qty.	Description
1	0745-045	1	Battery Assembly (inc. 2-5)	16	1406-218	1	● Cover, Storage Box
2	0645-045	6	● Cap, Battery	17	1406-211	1	● Seal, Storage Box Cover
3	0645-152	1	● Clamp, Hose	18	0506-674	2	● Hinge
4	0645-263	1	● Hose, Battery Vent	19	8424-502	2	● Nut, Lock
5	0645-151	1	● Label, Warning - Battery	20	1406-134	1	● Strap, Storage Box Cover
6	0506-877	1	Strap, Battery w/Pads (inc. 7-8)	21	1406-210	1	● Bracket, Latch
7	1406-266	1	● Pad, Battery - Upper Rear	22	0623-685	2	● Rivet
8	1406-265	1	● Pad, Battery - Upper Front	23	0506-944	2	Bracket, Mounting - Storage Box
9	1406-219	1	Pad, Battery - Lower	24	0423-403	4	Clamp, Tube
10	1506-365	1	Box, Battery	25	8424-602	4	Nut, Flange
11	0123-903	2	Cable Tie - 11.5 in.	26	1406-260	1	Shield, Heat
12	8477-610	1	Screw, Machine	27	0444-122	1	Kit, Tool
13	8477-616	4	Screw, Machine	28	0423-478	1	Clip, Retaining
14	0506-943	1	Box, Storage - Assembly (inc. 15-22)	29	0406-379	1	Strap, Tool
15	1406-209	1	● Box, Storage				



ENGINE AND EXHAUST

0739-653

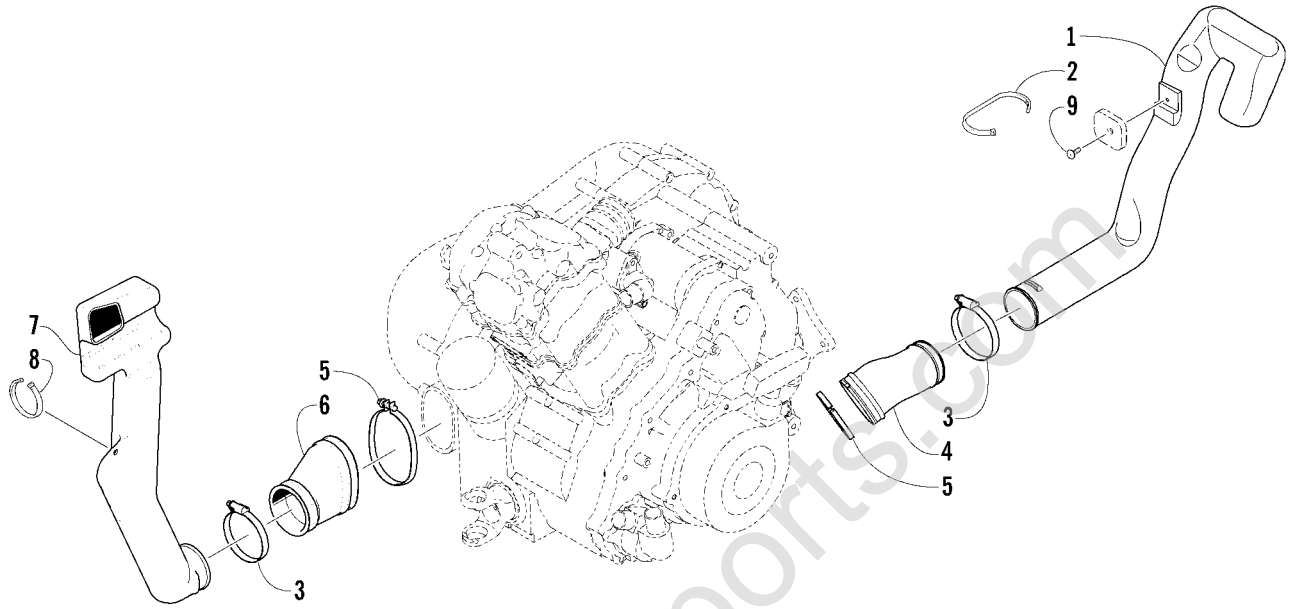
Ref.	Part No.	Qty.	Description	Ref.	Part No.	Qty.	Description
1	0462-029	1	Engine	12	8408-820	2	Screw, Cap
2	0423-405	3	Screw, Cap	13	0512-143	1	Pipe, Exhaust
3	0423-426	4	Washer, Engine	14	0412-227	1	Cover, Exhaust - Front
4	0423-042	2	Spacer, Engine	15	8477-610	11	Screw, Machine
5	8428-002	3	Nut, Lock	16	0412-224	1	Cover, Exhaust - Middle
6	1506-203	1	Bracket, Engine - Right	17	0412-225	1	Cover, Exhaust - Rear
	1506-204	1	Bracket, Engine - Left	18	0412-215	4	Bushing, Exhaust
7	8408-816	4	Screw, Cap	19	0612-668	2	Spring, Exhaust
8	8424-802	3	Nut	20	0612-188	1	Gasket, Exhaust
9	8408-860	1	Screw, Cap	21	0512-141	1	Muffler
10	0506-546	1	Bracket, Engine - Upper	22	0412-229	1	Cover, Muffler
11	0412-007	1	Seal, Exhaust	23	1506-184	1	Bracket, Exhaust



COOLING ASSEMBLY

0739-654

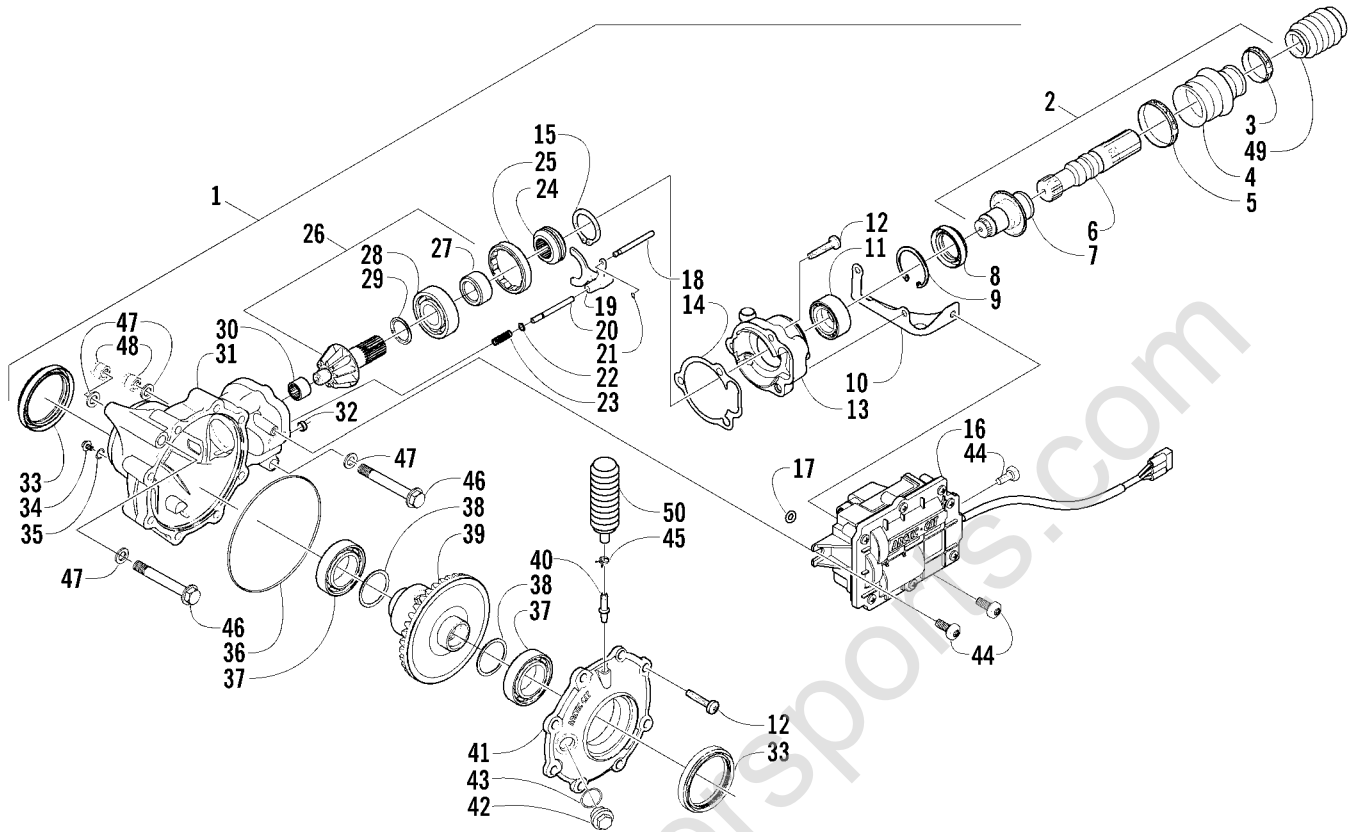
Ref.	Part No.	Qty.	Description	Ref.	Part No.	Qty.	Description
1	0413-038	1	Radiator Assembly (inc. 2-14)	12	0123-397	1	● Clamp, Cable
2	0413-043	1	● Radiator	13	0413-045	1	● Sender, Temperature - Coolant
3	0413-007	1	● Screen, Radiator	14	0423-390	1	● O-Ring
4	0413-002	1	● Cap, Radiator	15	0423-484	2	Screw, Shoulder
5	0423-030	2	● Grommet	16	0623-038	2	Nut w/Washer
6	0610-016	AR	● Hose - 25 ft	17	0423-028	2	Bushing, Stem
7	0413-009	4	● Screw, Thumb	18	0410-002	1	Hose, Coolant - Upper
8	0413-046	2	● Shroud, Fan	19	0410-022	1	Hose, Coolant - Crossover
9	0413-044	1	● Fan, Cooling	20	0410-041	1	Hose, Coolant - Lower
10	8475-512	8	● Screw, Machine	21	0423-496	6	Clamp, Hose
11	0423-351	1	● Clamp, Wire	22	0623-751	1	Cable Tie



CASE/BELT COOLING ASSEMBLY

0738-311

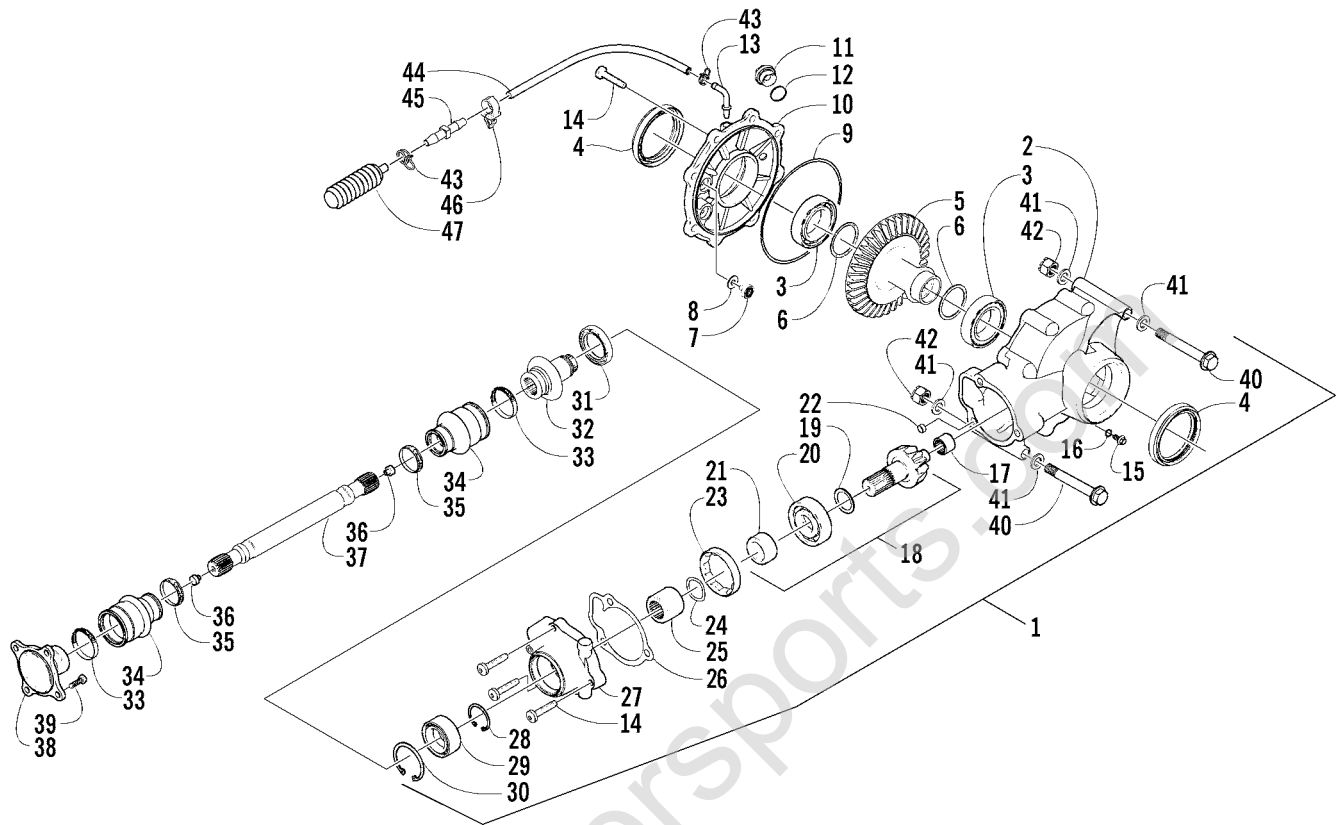
Ref.	Part No.	Qty.	Description	Ref.	Part No.	Qty.	Description
1	0413-062	1	Duct, Belt Cooling - Rear	6	0413-049	1	Boot, Duct - Front
2	0123-903	1	Cable Tie - 11.5 in.	7	0413-042	1	Duct, Belt Cooling - Front
3	0423-380	2	Clamp, Boot	8	0123-788	1	Cable Tie - 7.5 in.
4	0413-055	1	Boot, Duct - Rear	9	0623-301	1	Screw, Self-Tapping
5	3402-449	2	Clamp, Boot				



FRONT DRIVE GEARCASE ASSEMBLY

0738-388

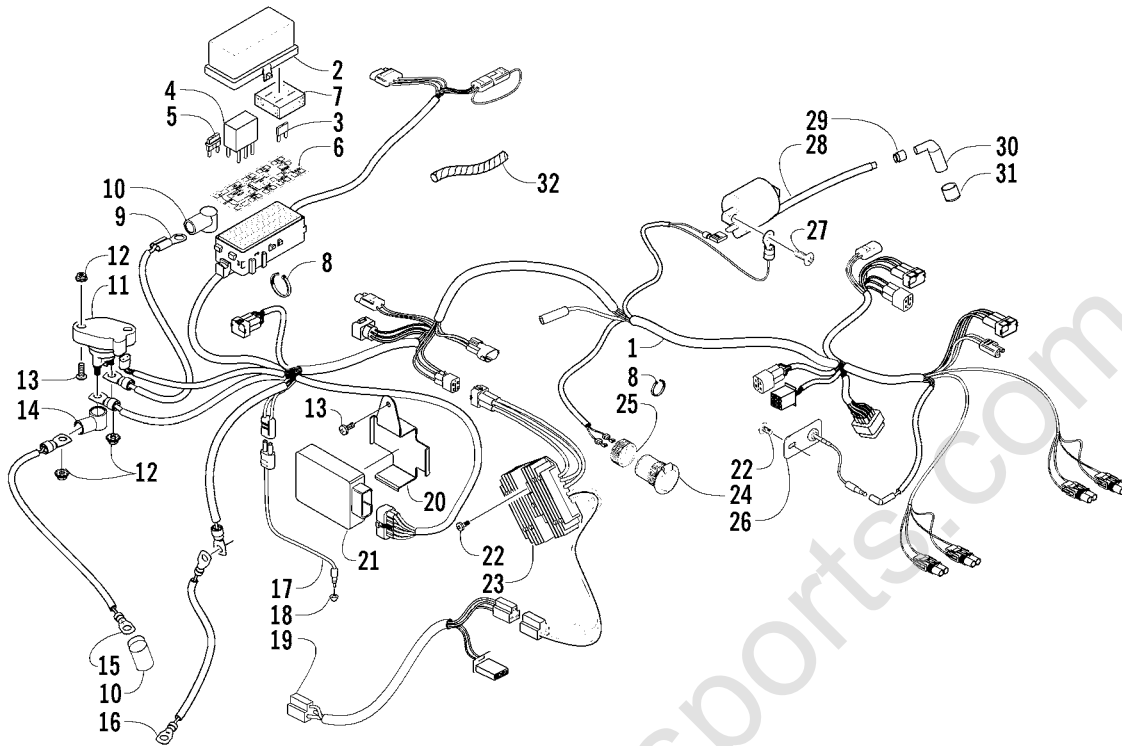
Ref.	Part No.	Qty.	Description	Ref.	Part No.	Qty.	Description
1	0502-474	1	Gearcase, Front Drive - Assembly (inc. 2-44)	29	0402-424	AR	● Shim
2	0502-385	1	● Shaft, Propeller - Assembly (inc. 3-7)	0402-425	AR	● Shim	
3	0423-411	1	●● Clamp, Boot	0402-426	AR	● Shim	
4	0402-985	1	●● Boot, Propeller Shaft	0402-427	AR	● Shim	
5	0423-393	1	●● Clamp, Boot	0402-428	AR	● Shim	
6	1402-045	1	●● Shaft, Output	30	0402-328	1	● Bearing
7	0502-407	1	●● Shaft, Input	31	0502-120	1	● Housing, Gearcase
8	1402-011	1	● Seal	32	0402-411	1	● Pin, Dowel
9	0423-423	1	● Ring, Retaining	33	0402-394	2	● Seal
10	0502-347	1	● Bracket, Actuator	34	0402-450	1	● Plug, Magnetic (inc. 35)
11	1402-043	1	● Bearing	35	0423-153	1	●● O-Ring
12	0423-118	11	● Screw, Self-Tapping	36	0423-149	1	● O-Ring
13	0502-406	1	● Housing, Pinion	37	0402-393	2	● Bearing
14	0402-947	1	● Gasket, Flange	38	0402-405	AR	● Shim
15	0423-417	1	● Ring, Retaining	0402-406	AR	● Shim	
16	0502-296	1	● Actuator (inc. 17)	0402-407	AR	● Shim	
17	0423-498	1	●● O-Ring	0402-408	AR	● Shim	
18	0402-997	1	● Shaft, Selector	0402-409	AR	● Shim	
19	0402-998	1	● Fork, Selector	39	0502-124	1	● Gear, Ring - 36T
20	0402-417	1	● Shaft, Shuttle	40	1402-104	1	● Fitting
21	0423-402	1	● Ring, Retaining	41	0502-121	1	● Cover, Gearcase
22	0423-147	1	● O-Ring	42	0402-333	1	● Plug, Fill (inc. 43)
23	0402-999	1	● Spring, Return	43	0423-154	1	●● O-Ring
24	0402-413	1	● Coupler, Drive	44	0423-396	3	● Screw, Self-Tapping
25	0402-357	1	● Collar, Lock	45	0423-315	1	Clamp, Fitting
26	0502-123	1	● Gear, Pinion - Assembly - 10T (inc. 27-29)	46	0423-404	2	Screw, Cap
27	0402-336	1	●● Collar, Retaining	47	0423-426	4	Washer
28	0402-327	1	●● Bearing	48	8428-002	2	Nut, Lock
				49	0402-966	1	Boot, Shaft
				50	0402-147	1	Bladder, Gearcase



REAR DRIVE GEARCASE ASSEMBLY

0738-506

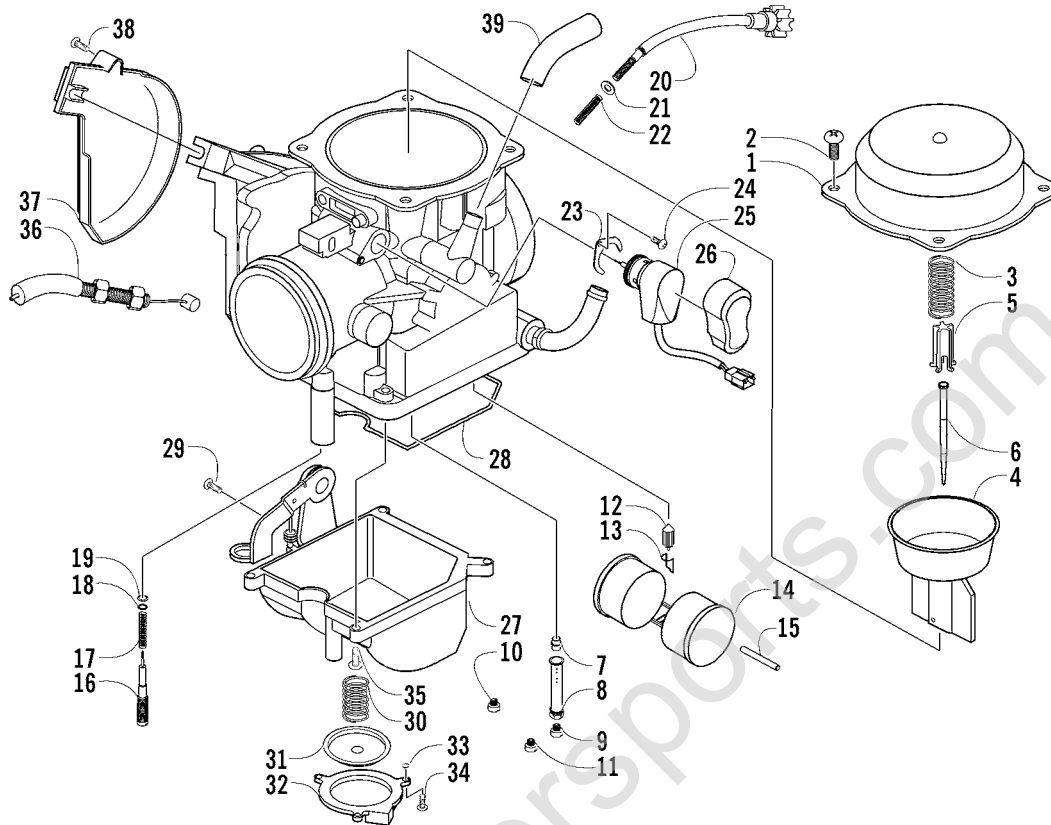
Ref.	Part No.	Qty.	Description	Ref.	Part No.	Qty.	Description
1	0502-642	1	Gearcase, Rear Drive - Assembly (inc. 2-32)	20	0402-327	1	●● Bearing
2	0502-352	1	● Housing, Gearcase	21	0402-336	1	●● Collar, Retaining
3	0402-393	2	● Bearing	22	0402-411	1	● Pin, Dowel
4	0402-394	2	● Seal	23	0402-331	1	● Collar, Lock
5	1402-032	1	● Gear, Ring - 36T	24	0402-982	1	● Washer, Wave
6	0402-405	AR	● Shim	25	0402-981	1	● Collar, Shaft
	0402-406	AR	● Shim	26	0402-947	1	● Gasket, Flange
	0402-407	AR	● Shim	27	0502-529	1	● Housing, Pinion
	0402-408	AR	● Shim	28	0423-417	1	● Ring, Retaining
	0402-409	AR	● Shim	29	1402-043	1	● Bearing
7	0402-326	1	● Button, Thrust	30	0423-423	1	● Ring, Retaining
8	0402-429	AR	● Shim	31	1402-011	1	● Seal
	0402-430	AR	● Shim	32	0502-407	1	● Shaft, Input
	0402-431	AR	● Shim	33	0423-393	2	Clamp, Boot
	0402-432	AR	● Shim	34	0402-985	2	Boot
	0402-433	AR	● Shim	35	0423-411	2	Clamp, Boot
9	0423-149	1	● O-Ring	36	0673-618	2	Bumper, Propeller Shaft
10	0502-346	1	● Cover, Gearcase	37	1402-092	1	Shaft, Propeller
11	0402-333	1	● Plug, Fill (inc. 12)	38	0402-950	1	Flange, Output
12	0423-154	1	●● O-Ring	39	8408-820	4	Screw, Cap
13	1402-102	1	● Fitting	40	0423-404	2	Screw, Cap
14	0423-118	11	● Screw, Self-Tapping	41	0423-426	4	Washer
15	0402-450	1	● Plug, Magnetic (inc. 16)	42	8428-002	2	Nut, Lock
16	0423-153	1	●● O-Ring	43	0423-315	3	Clamp, Fitting
17	0402-328	1	● Bearing	44	0410-049	AR	Hose, Vent
18	0502-123	1	● Gear, Pinion - Assembly - 10T (inc. 19-21)	45	0470-462	1	Fitting, Vent
19	0402-424	AR	●● Shim	46	0623-101	1	Clip, Routing - Snap-In
	0402-425	AR	●● Shim	47	0402-147	1	Bladder, Gearcase
	0402-426	AR	●● Shim				
	0402-427	AR	●● Shim				
	0402-428	AR	●● Shim				



WIRING HARNESS ASSEMBLY

0739-655

Ref.	Part No.	Qty.	Description	Ref.	Part No.	Qty.	Description
1	<u>0486-156</u>	1	Harness, Main (inc. 2-7 and two No. 8)	16	0445-037	1	Cable, Battery/Ground
2	0530-008	1	● Cover, Fuse Block	17	0409-009	1	Switch, Brake - Assembly
3	0430-034	3	● Diode	18	0402-991	1	Retainer, Switch
4	0430-033	2	● Relay	19	<u>0486-148</u>	1	Harness, Adapter - Electric Choke
5	0430-032	4	● Fuse - 10 Amp	20	0506-987	1	Bracket, CDI
	0430-031	3	● Fuse - 15 Amp	21	3530-039	1	CDI Unit
	0430-030	2	● Fuse - 30 Amp	22	8476-625	3	Screw, Machine
6	<u>0411-838</u>	1	● Decal, Fuse Block	23	3530-028	1	Regulator, Voltage
7	0430-037	1	● Holder, Fuse	24	0445-022	1	Receptacle, 12V (inc. 25)
8	0123-788	AR	● Cable Tie - 7.5 in.	25	0445-034	1	● Nut, Retainer
9	<u>0445-042</u>	1	Cable, Solenoid/Starter (inc. one No. 10)	26	0509-011	1	Diode Assembly
10	0645-019	2	● Boot, Terminal	27	8476-620	1	Screw, Machine
11	<u>0445-036</u>	1	Solenoid	28	3530-027	1	Coil, Ignition - Assembly
12	0623-038	4	Nut w/Washer	29	3430-009	1	Seal, High Tension Wire
13	8476-616	3	Screw, Machine	30	3430-007	1	Cap, Spark Plug
14	0645-327	1	Boot, Terminal	31	3430-008	1	Seal, Spark Plug
15	0445-038	1	Cable, Battery/Solenoid (inc. one No. 10)	32	0716-507	AR	Loom, Protective

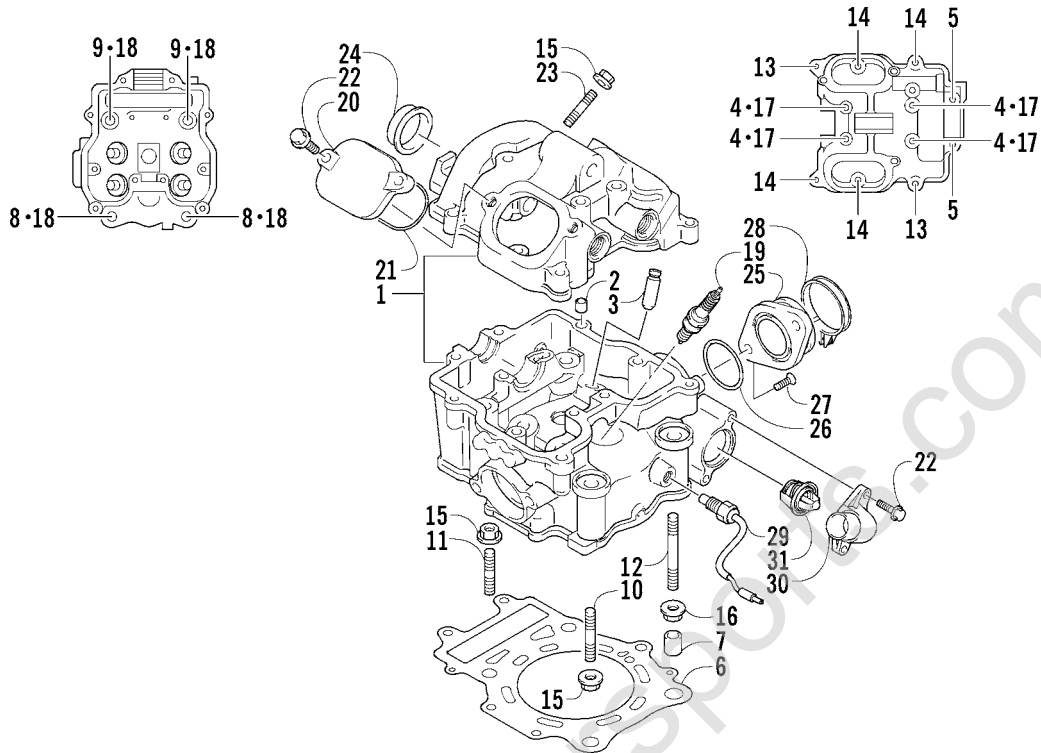


CARBURETOR

(Complete Assembly p/n 0470-532)

0739-656 *Not a Service Part **Optional

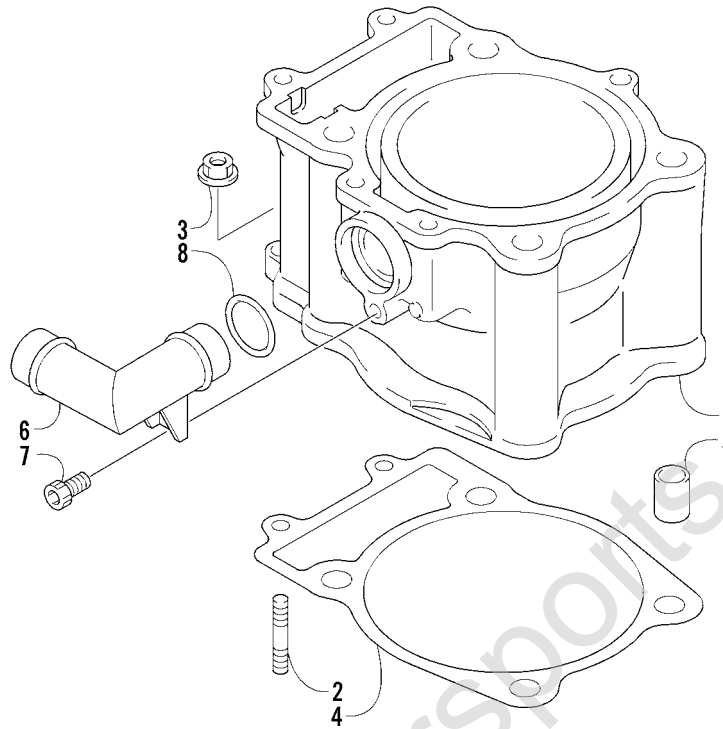
Ref.	Part No.	Qty.	Description	Ref.	Part No.	Qty.	Description
1	5507-001	1	Cover, Top	19	*	1	● O-Ring
2	5507-002	4	Screw, Top Cover	20	5507-027	1	Screw, Idle Adjust
3	5507-085	1	Spring	21	5507-028	1	Washer
4	5507-099	1	Piston, Vacuum	22	5507-029	1	Spring
5	5507-005	1	Seat, Spring	23	5507-115	1	Plate
6	5507-100	1	Jet Needle	24	5507-117	1	Screw
7	5507-007	1	Needle Jet	25	5507-113	1	Choke, Electric
8	5507-047	1	Holder, Needle Jet	26	5507-114	1	Cover, Electric Choke
9	5507-086	1	Main Jet - 148	27	5507-065	1	Chamber, Float - Assembly (inc. 28-34)
	5507-009	1	Main Jet - 150**	28	5507-067	1	● O-Ring, Float Chamber
	5507-043	1	Main Jet - 142**	29	5507-050	1	● Screw, Drain
	5507-044	1	Main Jet - 140**	30	5507-032	1	● Spring
10	5507-101	1	Slow Jet - 40	31	5507-031	1	● Diaphragm Assembly
11	5507-112	1	Starter Jet - 85	32	*	1	● Housing, Pump
12	5507-107	1	Valve, Float - Set (inc. 13)	33	5507-034	1	● U-Ring
13	*	1	● Clip	34	5507-035	3	● Screw
14	5507-039	1	Float Set (inc. 15)	35	5507-017	4	Screw
15	*	1	● Pin, Float	36	0487-021	1	Cable, Throttle
16	5507-111	1	Screw, Pilot Air - Set (inc. 17-19)	37	5507-036	1	Cover
17	*	1	● Spring	38	5507-037	1	Screw
18	*	1	● Washer	39	0410-056	1	Hose, Vent



CYLINDER HEAD ASSEMBLY

0737-755 *Not Illustrated

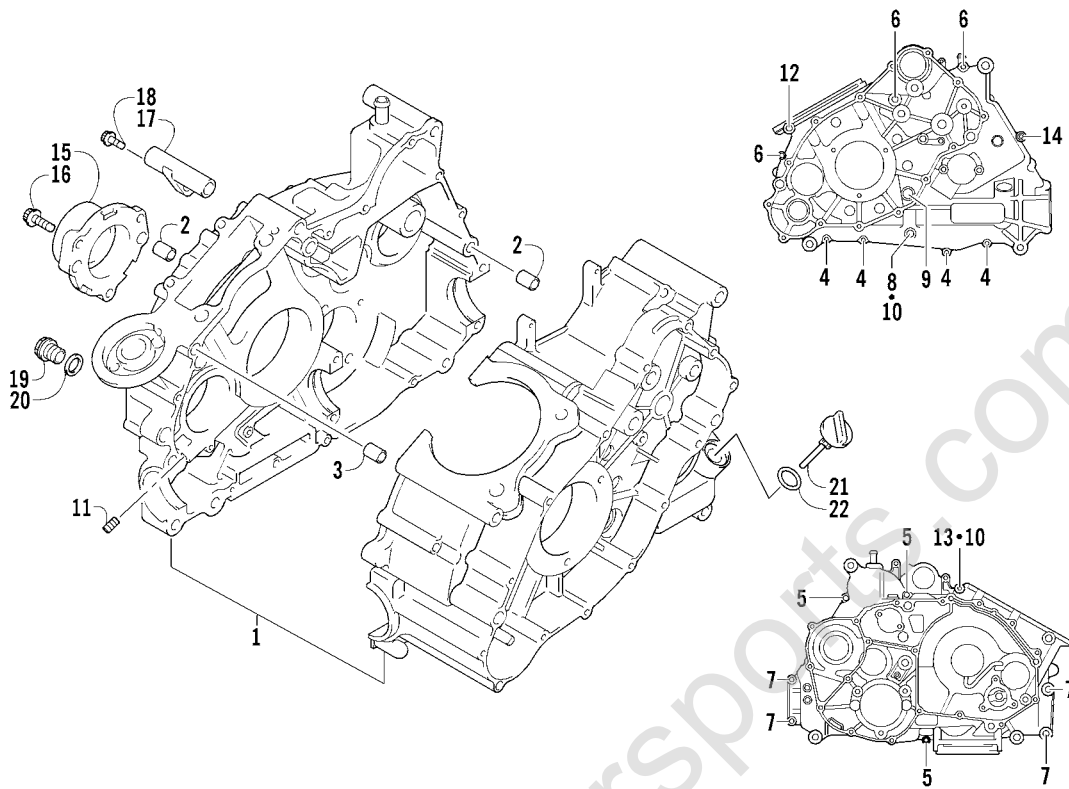
Ref.	Part No.	Qty.	Description	Ref.	Part No.	Qty.	Description
1	3402-098	1	Head, Cylinder - Assembly (inc. 2-5)	17	3003-290	4	Gasket
2	3423-043	2	● Pin, Dowel	18	3402-010	4	Gasket, Head Nut
3	3402-099	4	● Guide, Valve	19	0217-632	1	Spark Plug (NGK CR6E)
4	3423-006	4	● Screw, Cap	20	3402-100	2	Cap, Inspection
5	3008-376	2	● Screw, Cap	21	3402-101	2	O-Ring
6	3402-362	1	Gasket, Cylinder Head	22	3004-341	5	Screw, Cap
7	3423-088	2	Pin, Dowel	23	3423-383	1	Bolt, Stud
8	3423-015	2	Screw, Cap	24	3402-035	1	Plug, Cylinder Head
9	3423-016	2	Screw, Cap	25	3402-706	1	Pipe, Intake - Assembly (inc. 26)
10	3423-089	2	Bolt, Stud	26	3423-353	1	● O-Ring
11	3423-087	2	Bolt, Stud	27	3423-347	2	Screw, Cap
12	3423-203	1	Bolt, Stud	28	0423-317	1	Clamp
13	3423-007	2	Screw, Cap	29	3530-038	1	Switch, Water Temperature - Assembly
14	3004-376	4	Screw, Cap	30	3413-004	1	Cover, Thermostat
15	3004-488	5	Nut	31	3413-012	1	Thermostat
16	3004-326	1	Nut	*	3402-048	1	Plug, Frost



CYLINDER ASSEMBLY

0732-301

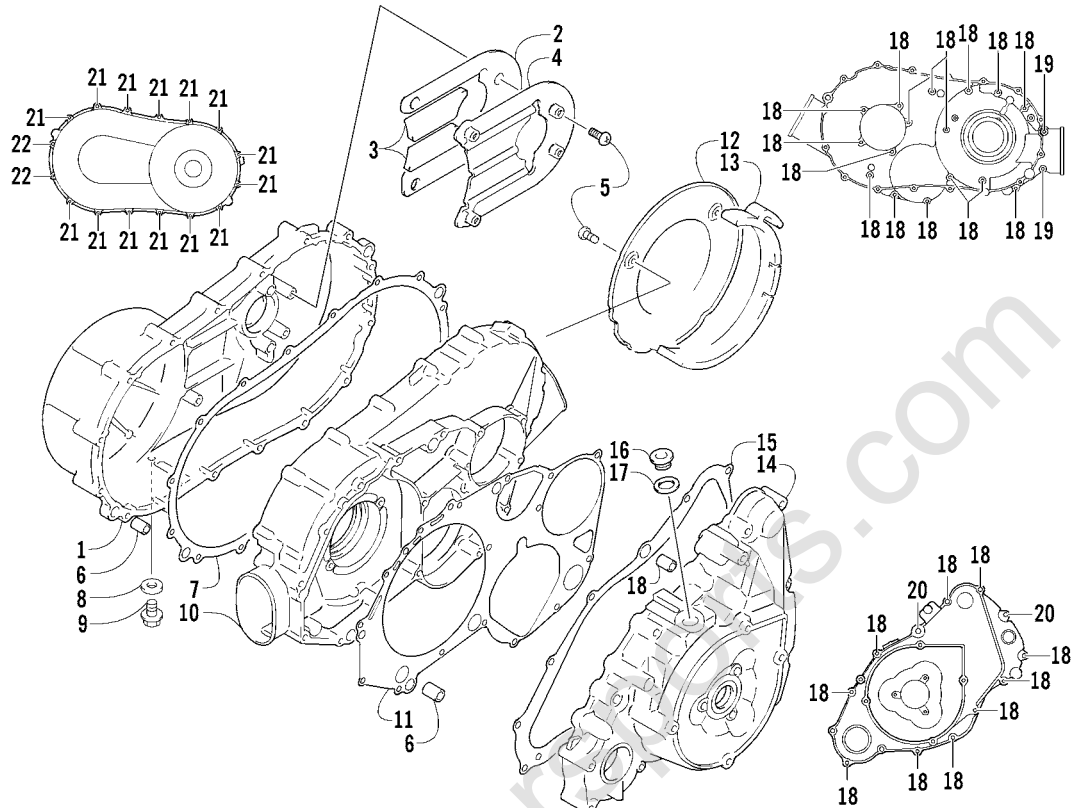
Ref.	Part No.	Qty.	Description	Ref.	Part No.	Qty.	Description
1	3402-707	1	Cylinder	5	3423-088	2	Pin, Dowel
2	3423-384	2	Bolt, Stud	6	3413-013	1	Union, Water Hose
3	3004-488	2	Nut	7	3423-121	1	Screw, Cap
4	3402-365	1	Gasket, Cylinder	8	3423-058	1	O-Ring



CRANKCASE ASSEMBLY

0737-757

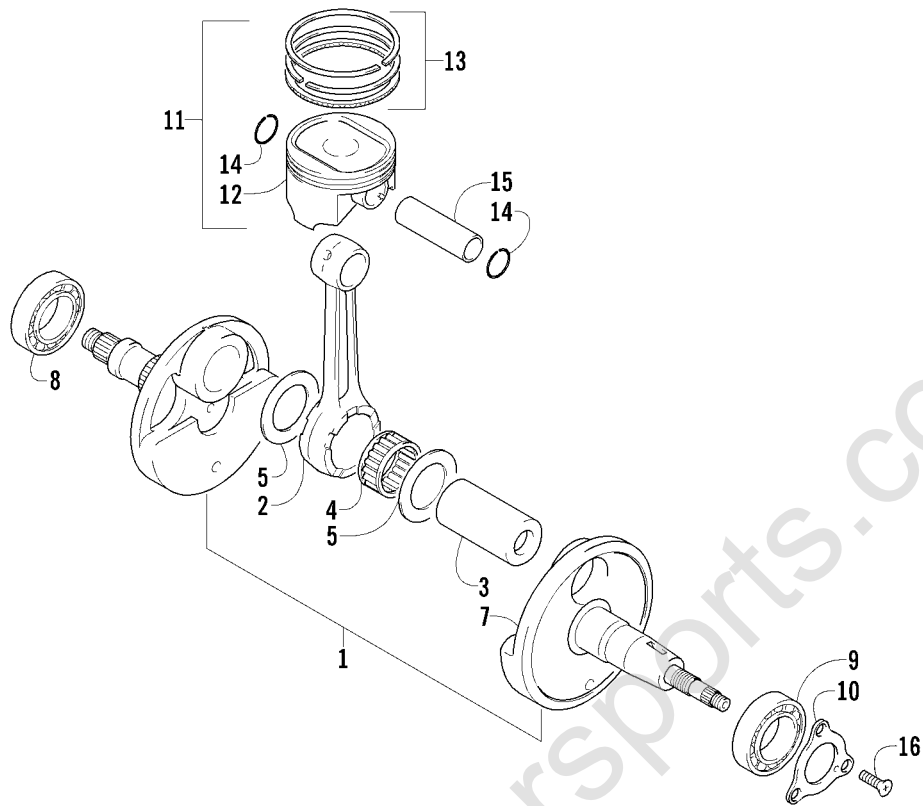
Ref.	Part No.	Qty.	Description	Ref.	Part No.	Qty.	Description
1	3402-708	1	Crankcase Assembly (inc. two No. 2 and 3-14)	12	3423-387	1	● Bolt
2	3423-088	4	● Pin, Dowel	13	3423-388	1	● Bolt
3	3004-822	1	● Pin, Dowel	14	3423-308	1	● Bolt
4	3423-091	4	● Bolt	15	3402-439	1	Housing, Secondary Shaft Bearing
5	3423-119	3	● Bolt	16	3423-506	3	Bolt
6	3423-092	3	● Bolt	17	3402-437	1	Pipe, Breather
7	3004-880	4	● Bolt	18	3423-389	1	Bolt, Breather Pipe
8	3005-332	1	● Bolt	19	3402-214	1	Plug, Oil Pressure
9	3423-385	1	● Bolt	20	3402-012	1	Gasket, Oil Pressure Plug
10	3402-436	2	● Gasket	21	3402-438	1	Stick, Oil Level
11	3423-386	1	● Plug	22	3423-055	1	O-Ring, Oil Level Stick



CLUTCH/V-BELT/MAGNETO COVER ASSEMBLY

0737-759

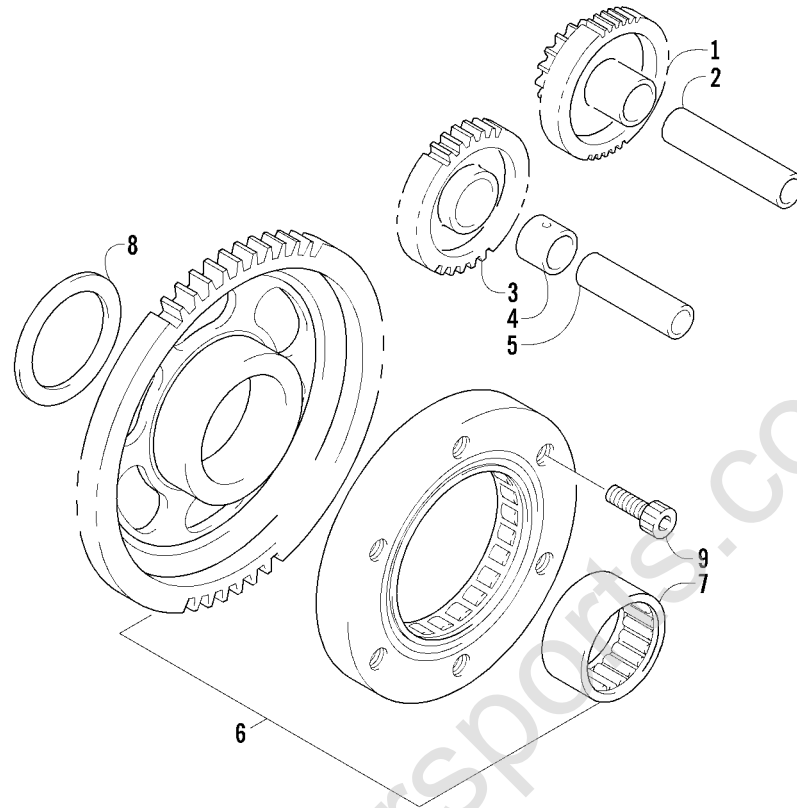
Ref.	Part No.	Qty.	Description	Ref.	Part No.	Qty.	Description
1	3402-710	1	Cover, V-Belt	12	3402-445	1	Plate, Air Intake
2	3402-711	1	Damper, V-Belt Cover	13	3402-699	1	Cushion, Air Intake Plate
3	3402-712	2	Damper, V-Belt Cover	14	3402-714	1	Cover, Magneto
4	3402-713	1	Plate, V-Belt Cover	15	3402-715	1	Gasket, Magneto Cover
5	3423-435	7	Screw	16	3402-041	1	Plug, Oil Filler
6	3423-088	6	Pin, Dowel	17	3402-013	1	Gasket, Oil Filler Plug
7	3402-443	1	Gasket, V-Belt Cover	18	3423-098	26	Bolt
8	3402-444	1	Gasket, Drain Plug	19	3423-092	2	Bolt
9	3004-705	1	Plug, Drain	20	3004-756	2	Bolt
10	3402-709	1	Cover, Clutch	21	3423-091	14	Bolt
11	3402-441	1	Gasket, Clutch Cover	22	3423-119	2	Bolt



CRANKSHAFT ASSEMBLY

0737-077

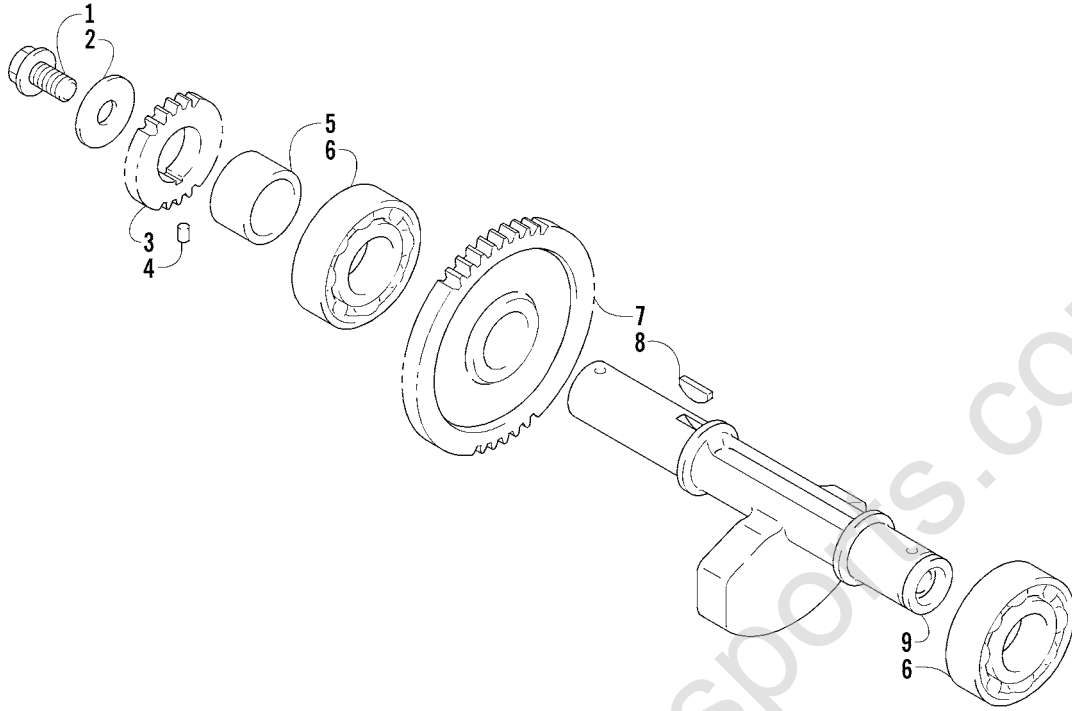
Ref.	Part No.	Qty.	Description	Ref.	Part No.	Qty.	Description
1	<u>3403-018</u>	1	Crankshaft Assembly (inc. 2-7)	9	3402-054	1	Bearing - Left
2	3402-376	1	● Rod, Connecting	10	3402-188	1	Retainer, Oil Seal - Left
3	3402-377	1	● Pin, Crank	11	3402-788	1	Piston Set (inc. 12-14)
4	3402-717	1	● Bearing	12	3402-719	1	● Piston
5	3423-351	2	● Washer	13	3402-720	1	● Ring, Piston - Set
6	<u>3403-025</u>	1	● Crankshaft - Right	14	3423-344	2	● Circlip, Piston Pin
7	3402-705	1	● Crankshaft - Left	15	3402-375	1	Pin, Piston
8	3402-058	1	Bearing - Right	16	3423-018	3	Screw



STARTER CLUTCH ASSEMBLY

0735-612

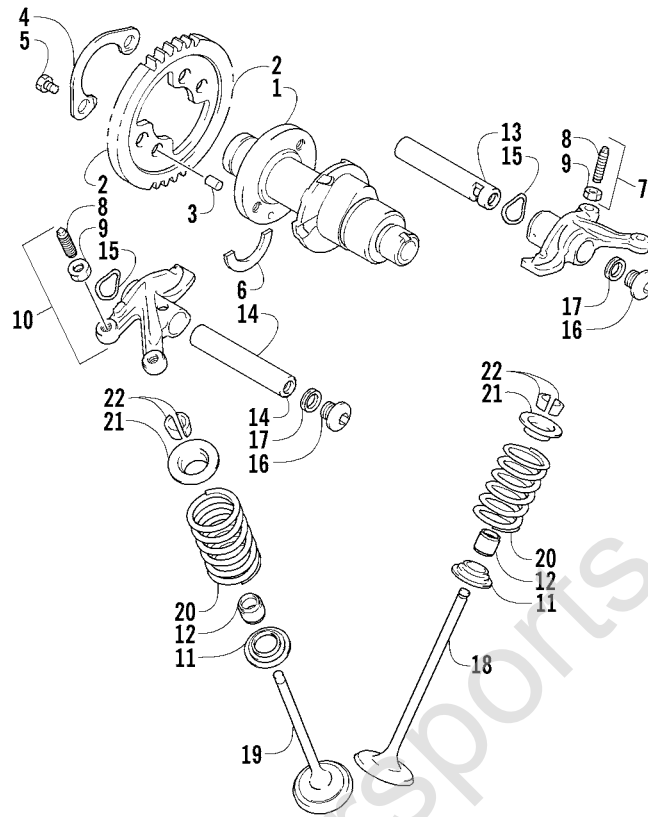
Ref.	Part No.	Qty.	Description	Ref.	Part No.	Qty.	Description
1	3402-813	1	Gear, Starter Idler - No. 1	6	3402-457	1	Clutch, Starter - Set (inc. 7)
2	3423-331	1	Pin	7	3402-063	1	● Bearing
3	3402-349	1	Gear, Starter Idler - No. 2	8	3423-104	1	Washer
4	3423-396	1	Spacer, Starter Idler Gear No. 2	9	3423-509	6	Screw, Cap
5	3423-397	1	Pin				



CRANK BALANCER ASSEMBLY

0737-762

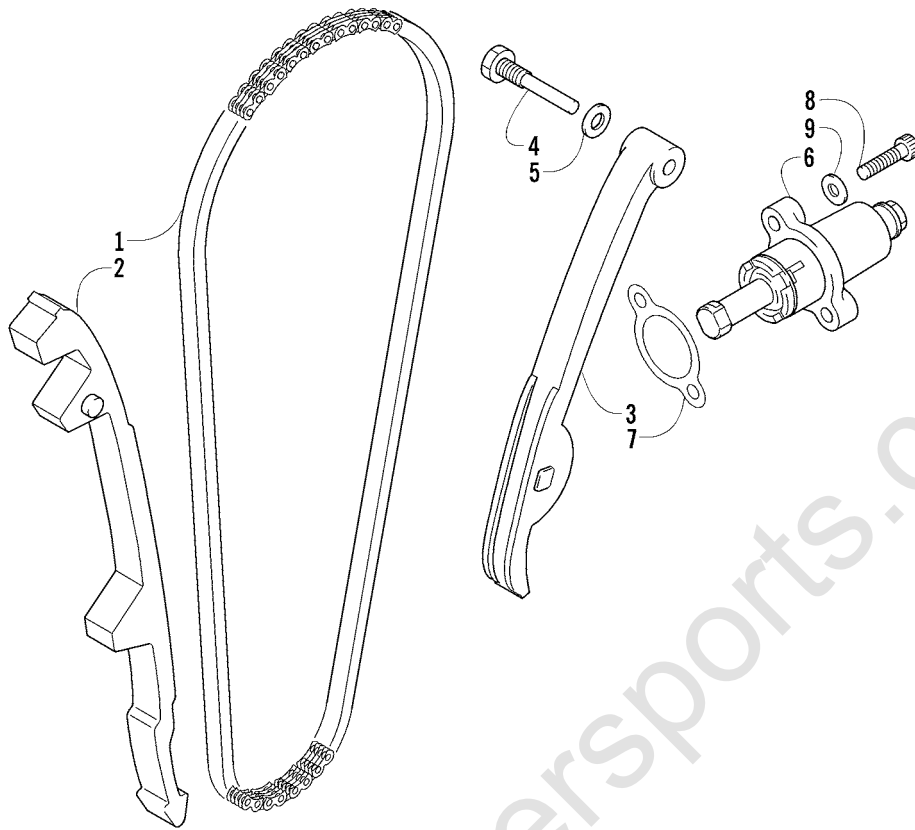
Ref.	Part No.	Qty.	Description	Ref.	Part No.	Qty.	Description
1	3423-555	1	Bolt	6	3402-050	2	Bearing
2	3423-401	1	Washer	7	3402-722	1	Gear, Driven
3	3402-390	1	Gear, Oil Pump Drive	8	3004-540	1	Key
4	3423-110	1	Pin	9	3402-458	1	Balancer, Crank
5	3402-461	1	Spacer				



CAMSHAFT/VALVE ASSEMBLY

0737-800

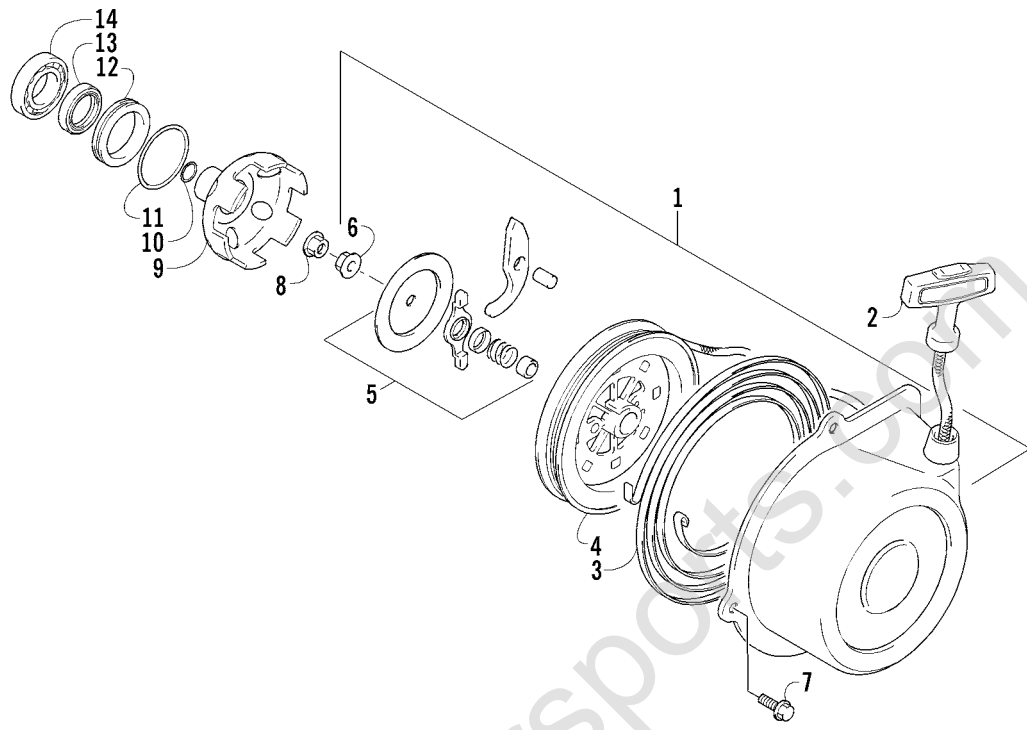
Ref.	Part No.	Qty.	Description	Ref.	Part No.	Qty.	Description
1	3402-723	1	Camshaft	11	3402-148	4	Seat, Spring
2	3402-352	1	Sprocket	12	3402-078	4	Seal, Oil
3	3423-047	1	Pin	13	3402-140	1	Shaft, Rocker Arm
4	3423-073	1	Washer	14	3402-141	1	Shaft, Rocker Arm
5	3423-013	2	Bolt	15	3423-031	2	Washer
6	3423-071	1	C-Ring	16	3402-040	2	Plug, Shaft
7	3402-805	1	Arm, Valve Rocker - Intake (inc. two No. 8-9)	17	3402-012	2	Gasket
8	3423-075	4	● Screw	18	3402-725	2	Valve, Intake
9	3423-076	4	● Nut	19	3402-143	2	Valve, Exhaust
10	3402-139	1	Arm, Valve Rocker - Exhaust (inc. two No. 8-9)	20	3402-726	4	Spring, Valve
				21	3423-541	4	Retainer, Spring
				22	3402-147	8	Cotter, Valve



CAM CHAIN ASSEMBLY

0732-308

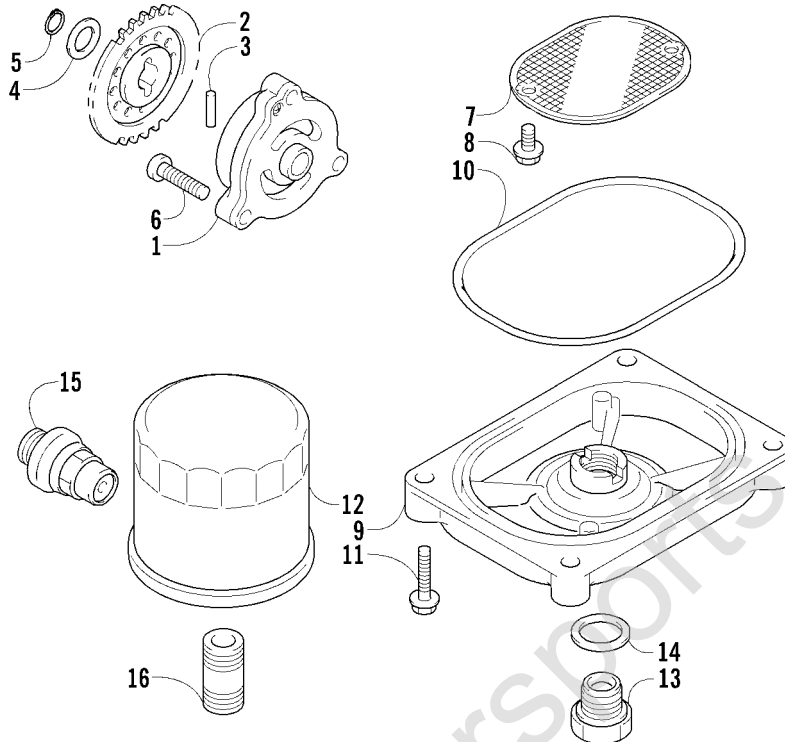
Ref.	Part No.	Qty.	Description	Ref.	Part No.	Qty.	Description
1	3402-353	1	Chain, Cam	6	3402-136	1	Adjuster, Tensioner - Assembly
2	3402-355	1	Guide, Chain	7	3402-137	1	Gasket
3	3402-356	1	Tensioner, Chain	8	3004-475	2	Screw, Cap
4	3423-074	1	Bolt	9	3003-290	2	Gasket
5	3003-188	1	Washer				



RECOIL STARTER ASSEMBLY

0737-764

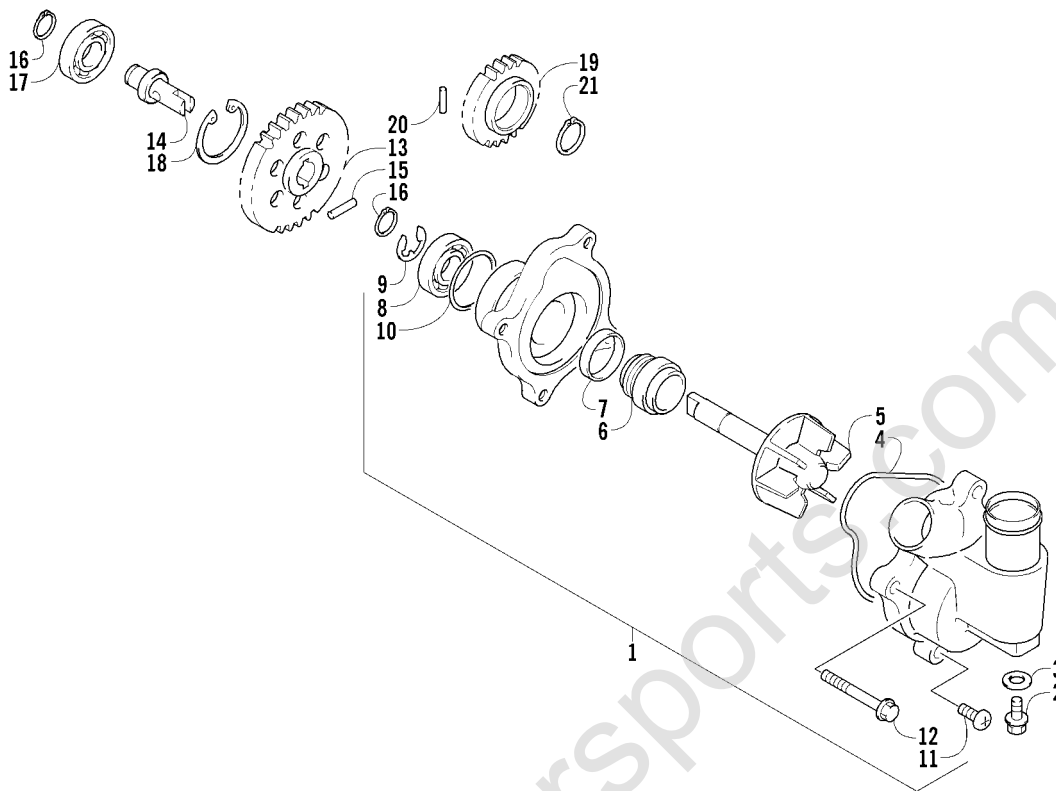
Ref.	Part No.	Qty.	Description	Ref.	Part No.	Qty.	Description
1	3445-003	1	Starter, Recoil - Assembly (inc. 2-6)	8	3004-491	1	Nut
2	3445-011	1	● Rope Assembly	9	3445-029	1	Cup, Starter
3	3445-007	1	● Spring, Spiral	10	3423-053	1	O-Ring
4	3445-004	1	● Reel	11	3423-063	1	O-Ring
5	3445-016	1	● Ratchet Assembly	12	3402-119	1	Spacer
6	3004-488	1	● Nut	13	3402-070	1	Seal, Oil
7	3423-428	4	Screw, Cap	14	3402-051	1	Bearing



OIL FILTER/PUMP ASSEMBLY

0737-765

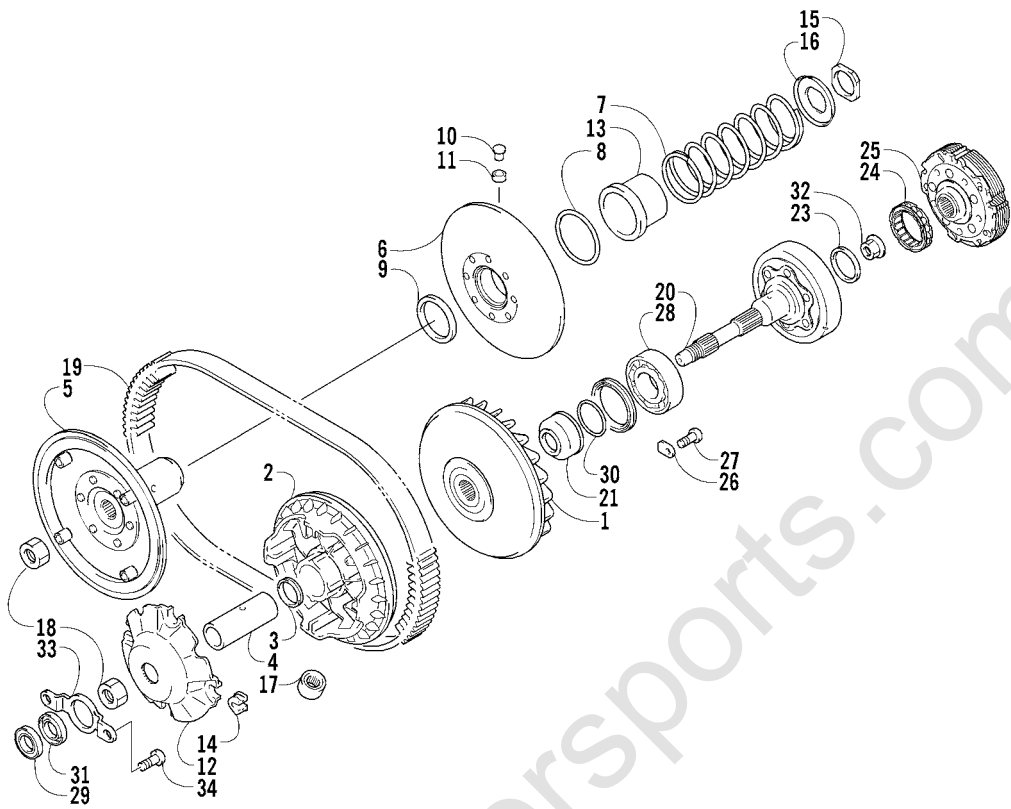
Ref.	Part No.	Qty.	Description	Ref.	Part No.	Qty.	Description
1	3402-727	1	Pump, Oil	9	3402-157	1	Cap, Oil Strainer
2	3402-463	1	Gear, Driven	10	3423-077	1	O-Ring
3	3423-046	1	Pin	11	3004-756	4	Screw, Cap
4	3423-443	1	Washer	12	0436-146	1	Filter, Oil
5	3423-184	1	Circlip	13	3402-036	1	Plug, Drain
6	3423-510	3	Screw, Cap	14	3402-012	1	Gasket, Drain Plug
7	3402-156	1	Strainer, Oil	15	3402-154	1	Valve, Oil Relief - Assembly
8	0693-389	2	Screw, Cap	16	3402-158	1	Union, Oil Filter



WATER PUMP ASSEMBLY

0737-766

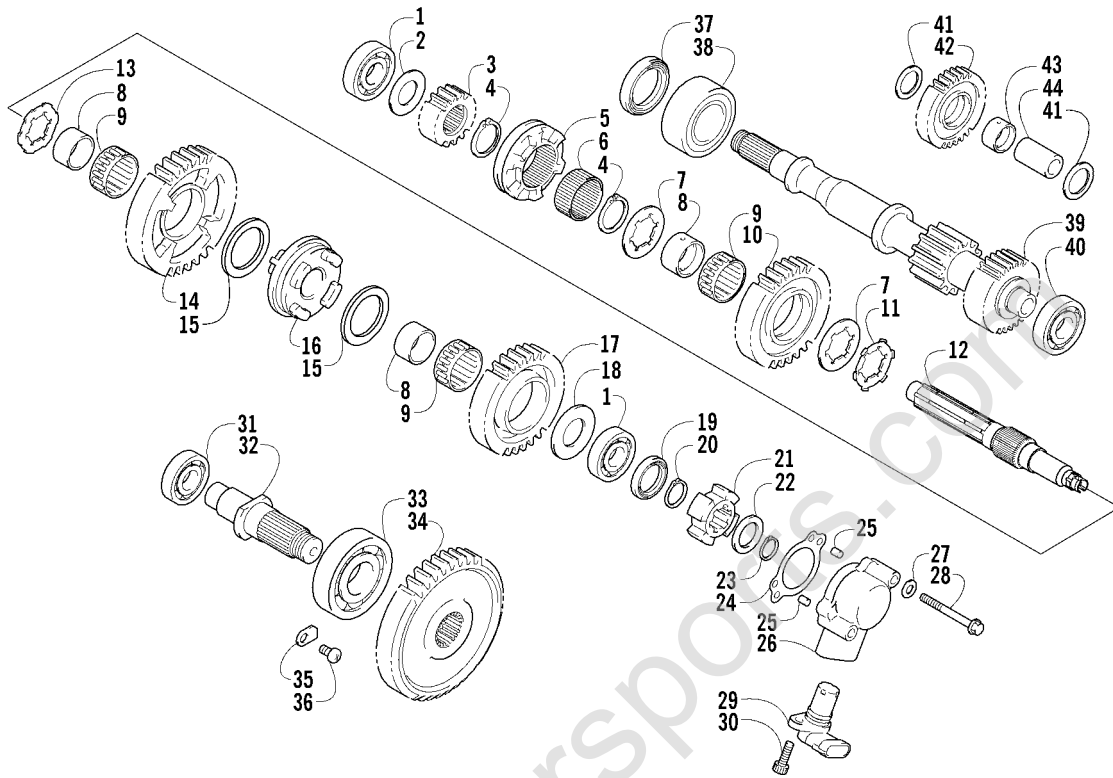
Ref.	Part No.	Qty.	Description	Ref.	Part No.	Qty.	Description
1	3402-464	1	Pump, Water - Assembly (inc. 2-11)	12	3423-308	2	Screw, Cap
2	3423-343	1	● Screw, Cap	13	3402-026	1	Gear, Driven
3	3003-188	1	● Gasket	14	3402-466	1	Shaft, Driven Gear
4	3423-402	1	● O-Ring	15	3423-046	1	Pin, Driven Gear
5	3413-014	1	● Impeller/Shaft	16	3423-184	2	Circlip, Driven Gear
6	3005-909	1	● Seal, Mechanical	17	3402-467	1	Bearing, Shaft
7	3402-465	1	● Seal, Oil	18	3423-405	1	Circlip, Shaft Bearing
8	3003-615	1	● Bearing	19	3402-390	1	Gear, Water Pump Drive
9	3423-403	1	● E-Ring	20	3423-110	1	Pin, Drive Gear
10	3423-404	1	● O-Ring	21	3423-189	1	Circlip, Drive Gear
11	3003-484	2	● Screw				



TRANSMISSION ASSEMBLY

0737-771

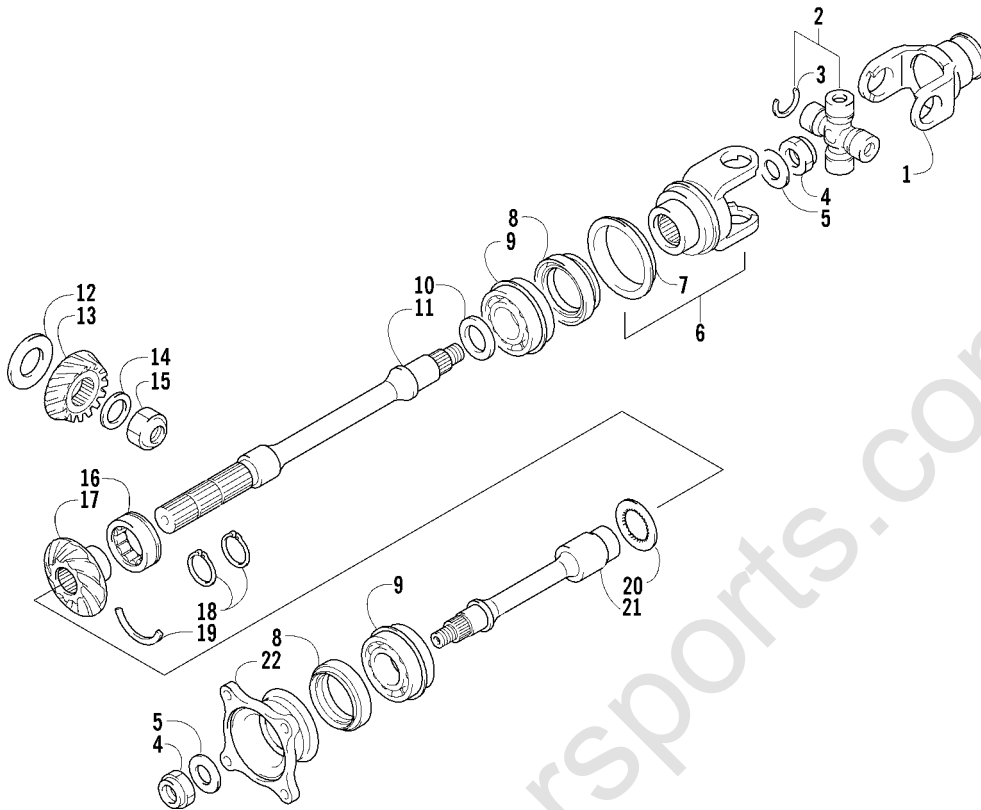
Ref.	Part No.	Qty.	Description	Ref.	Part No.	Qty.	Description
1	3402-750	1	Face, Fixed Drive	18	3423-514	2	Nut
2	3402-751	1	Face, Movable Drive	19	3402-757	1	V-Belt
3	3402-470	2	Seal, Movable Drive Face	20	3402-758	1	Housing, Clutch
4	3402-471	1	Spacer, Movable Drive Face	21	3402-544	1	Spacer, Fixed Drive Face
5	3402-752	1	Face, Fixed Driven	22	3402-808	1	Seal, Clutch Housing - Center
6	3402-753	1	Face, Movable Driven	23	3402-488	1	Seal, Clutch Housing - Left
7	3402-474	1	Spring, Movable Driven Face	24	3446-003	1	Clutch, One Way
8	3402-475	2	O-Ring, Movable Driven Face	25	3402-760	1	Shoe, Clutch - Assembly
9	3402-476	2	Seal, Movable Driven Face	26	3446-031	2	Retainer, Bearing
10	3402-477	4	Pin, Movable Driven Face	27	3423-435	2	Screw, Bearing Retainer
11	3402-478	4	Spacer, Movable Driven Face	28	3402-567	1	Bearing
12	3402-755	1	Plate, Movable Drive Face	29	3402-729	1	Bearing
13	3402-756	1	Sleeve, Movable Driven Face	30	3423-353	1	O-Ring
14	3402-481	4	Damper, Movable Drive Face	31	3402-761	2	Seal, Clutch Housing - Right
15	3423-406	1	Nut, Driven Pulley	32	3423-501	1	Nut
16	3402-482	1	Holder, Movable Driven Face Spring	33	3402-730	1	Retainer, Bearing
17	3402-483	8	Roller, Movable Drive Face	34	3423-018	2	Screw



SECONDARY TRANSMISSION ASSEMBLY

0738-929

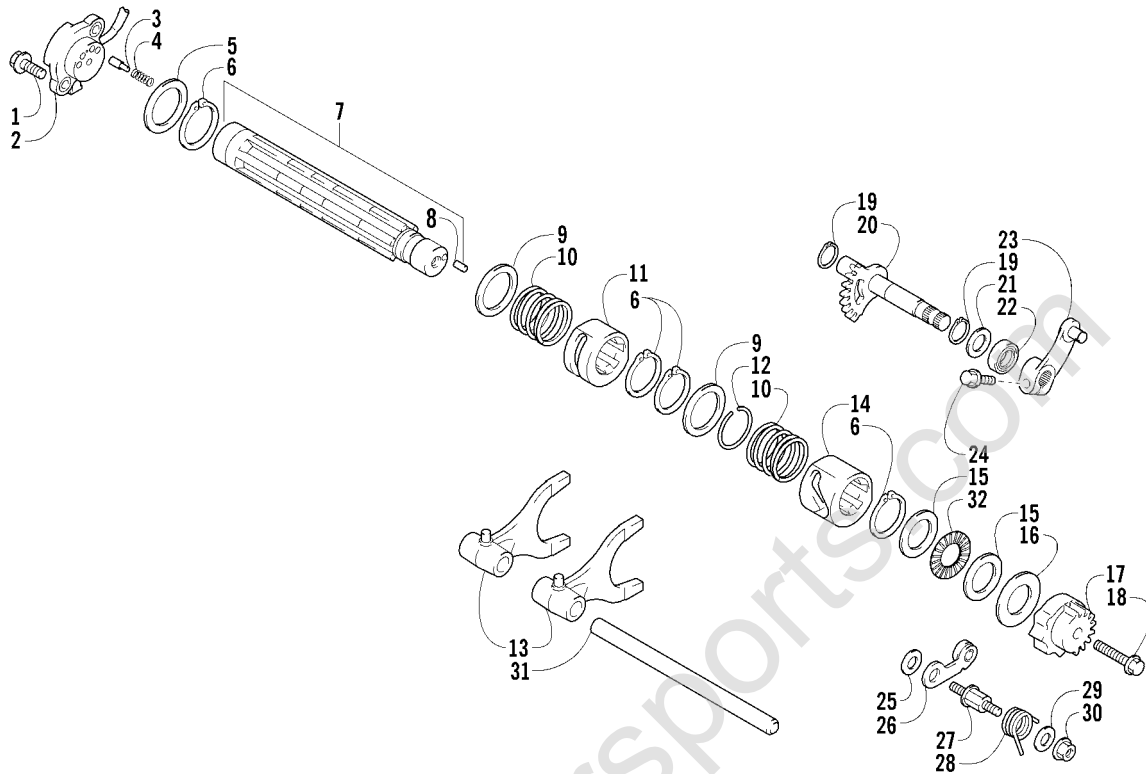
Ref.	Part No.	Qty.	Description	Ref.	Part No.	Qty.	Description
1	3402-045	2	Bearing, Shaft	23	3423-557	1	Circlip
2	3402-381	1	Washer, Drive Gear No. 2 - Right	24	3446-289	1	Gasket
3	3402-497	1	Gear, Drive - No. 2	25	3006-547	2	Pin
4	3423-066	2	Circlip	26	3446-355	1	Housing, Speedometer Sensor
5	3402-821	1	Dog, Reverse Driven Gear	27	3003-290	2	Gasket
6	3402-825	1	Spacer, Reverse Driven Gear	28	3423-091	2	Bolt
7	3423-263	2	Washer	29	3402-838	1	Sensor, Speedometer
8	3402-494	3	Bushing	30	3423-226	1	Bolt
9	3402-498	3	Bearing	31	3402-735	1	Bearing, Shaft
10	3402-822	1	Gear, Reverse Driven	32	3402-835	1	Shaft, Output
11	3423-266	1	Washer, Lock	33	3402-502	1	Bearing, Output Shaft
12	3402-820	1	Countershaft	34	3402-534	1	Gear, Driven - No. 2
13	3423-262	1	Washer, Lock	35	3446-031	2	Retainer, Bearing
14	3402-668	1	Gear, Driven - Low	36	3423-435	2	Screw, Bearing Retainer
15	3423-554	2	Washer, Driven Gear	37	3402-537	1	Seal, Driveshaft - Left
16	3402-824	1	Dog, Sliding	38	3402-499	1	Bearing, Driveshaft - Right
17	3402-733	1	Gear, Driven - High	39	3402-731	1	Driveshaft
18	3423-412	1	Washer, Drive Gear - Left	40	3003-261	1	Bearing, Driveshaft - Left
19	3402-836	1	Seal, Countershaft - Left	41	3402-195	2	Washer, Reverse Idle Gear
20	3423-518	1	Circlip	42	3402-503	1	Gear, Reverse Idle
21	3402-837	1	Rotor	43	3446-103	1	Bushing, Reverse Idle Gear
22	3423-556	1	Washer	44	3402-507	1	Shaft, Reverse Idle



SECONDARY DRIVE ASSEMBLY

0738-922

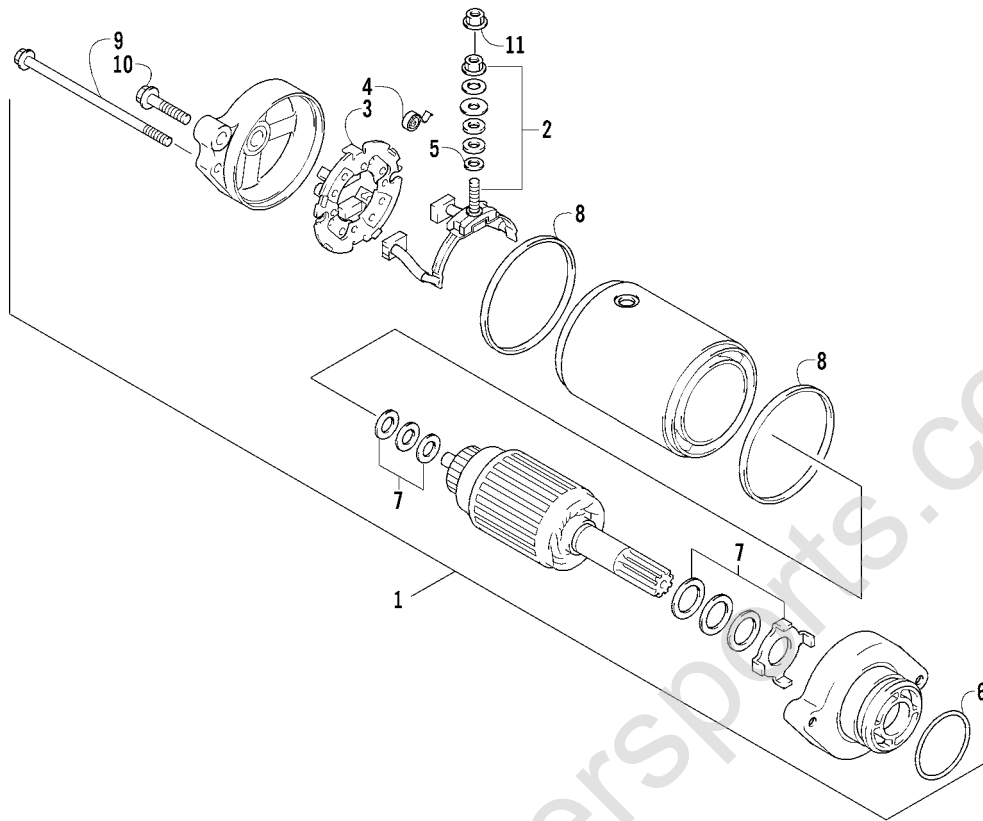
Ref.	Part No.	Qty.	Description	Ref.	Part No.	Qty.	Description
1	3402-744	1	Yoke, Propeller Shaft Joint	11	3402-740	1	Shaft, Secondary Driven - Front
2	3402-562	1	Joint, Universal - Set (inc. 3)	12	3446-035	1	Shim, Secondary Drive Gear - Set
3	3423-479	4	● Circlip	13	3402-738	1	Gear, Secondary Drive
4	3423-025	2	Nut, Rear Output Joint	14	3005-372	1	Washer
5	3423-028	2	Washer, Rear Output Flange	15	3423-023	1	Nut
6	3402-742	1	Yoke, Drive Output - Front (inc. 7)	16	3402-515	1	Bearing, Driven Gear
7	3402-743	1	● Plate, Output Yoke	17	3402-739	1	Gear, Secondary Driven
8	3402-072	2	Seal, Oil - Driven Shaft	18	3423-340	2	Circlip, Secondary Driven Gear
9	3402-067	2	Bearing, Driven Shaft	19	3423-072	1	Ring, Driven Bearing
10	3402-017	AR	Shim, 25 x 34 x 0.60 mm	20	3423-415	1	Washer, Driven Shaft
	3402-018	AR	Shim, 25 x 34 x 0.65 mm	21	3402-513	1	Shaft, Secondary Driven - Rear
	3402-019	AR	Shim, 25 x 34 x 0.70 mm	22	3402-514	1	Flange, Output Joint - Rear
	3402-020	AR	Shim, 25 x 34 x 0.75 mm				
	3402-021	AR	Shim, 25 x 34 x 0.80 mm				
	3402-022	AR	Shim, 25 x 34 x 0.85 mm				
	3402-023	AR	Shim, 25 x 34 x 0.90 mm				
	3402-024	AR	Shim, 25 x 34 x 0.95 mm				
	3402-025	AR	Shim, 25 x 34 x 1.00 mm				
	3402-028	AR	Shim, 25 x 34 x 1.05 mm				
	3402-029	AR	Shim, 25 x 34 x 1.10 mm				
	3402-030	AR	Shim, 25 x 34 x 1.15 mm				
	3402-031	AR	Shim, 25 x 34 x 1.20 mm				



GEAR SHIFTING ASSEMBLY

0737-777

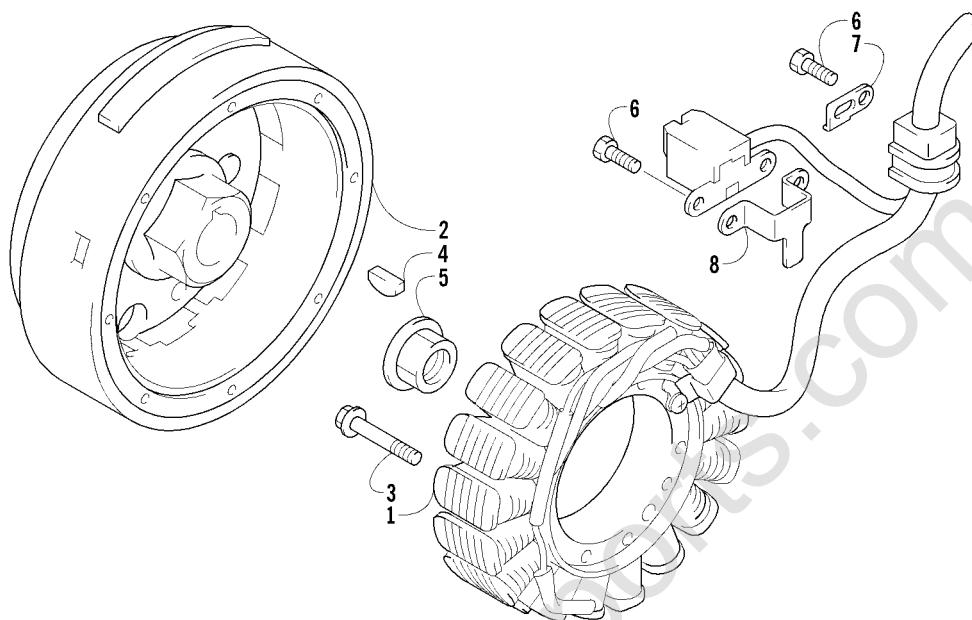
Ref.	Part No.	Qty.	Description	Ref.	Part No.	Qty.	Description
1	3423-418	2	Bolt	17	3402-642	1	Plate, Gear Shift Cam
2	3530-042	1	Base, Gear Shift - Assembly	18	3004-376	1	Bolt, Gear Shift Cam Plate
3	3423-044	2	Contact	19	3423-358	2	Circlip, Sub-Gear Shift Shaft
4	3402-087	2	Spring	20	3402-747	1	Shaft, Sub-Gear Shift
5	3423-421	1	Washer, Shift Shaft	21	1691-043	2	Washer, Sub-Gear Shift Shaft
6	3423-191	4	Circlip, Cam Spring	22	3402-076	1	Seal, Sub-Gear Shift Shaft
7	3402-826	1	Shaft, Gear Shift (inc. 8)	23	3402-434	1	Arm, Select
8	3423-114	1	● Pin	24	3004-341	1	Bolt, Select Arm
9	3402-382	2	Washer, Cam Spring	25	3423-141	1	Washer, Cam Stopper
10	3446-280	2	Spring, Cam	26	3402-746	2	Stopper, Cam
11	3402-827	1	Cam, Reverse	27	3446-048	1	Support, Cam Stopper
12	3423-416	1	C-Ring, Cam	28	3423-511	1	Spring, Cam Stopper
13	3446-353	2	Fork, Shift	29	3423-438	2	Washer, Cam Stopper Spring
14	3402-828	1	Cam, Gear Shift	30	3004-488	1	Nut, Cam Stopper Spring
15	3402-381	2	Washer, Shift Shaft	31	3446-266	1	Shaft, Shift Fork
16	3423-446	1	Washer, Gear Shift Cam Plate	32	3402-829	1	Bearing



STARTER MOTOR ASSEMBLY

0737-779

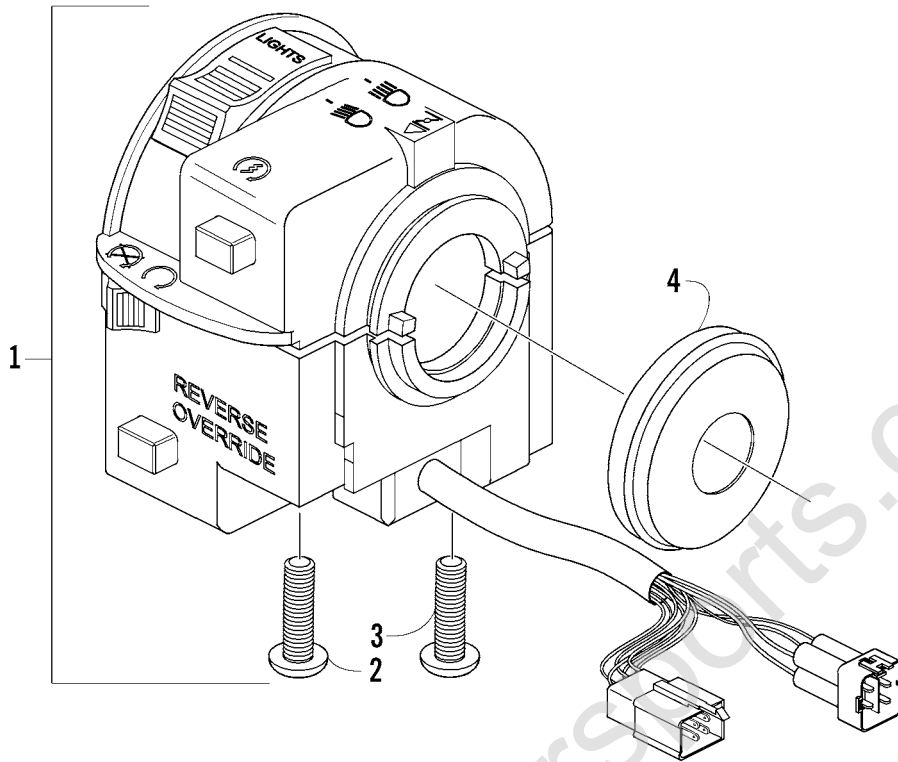
Ref.	Part No.	Qty.	Description	Ref.	Part No.	Qty.	Description
1	3545-015	1	Motor, Starter Assembly (inc. 2-9)	7	3436-001	1	● Washer Set
2	3008-094	1	● Terminal Set, Brush	8	3008-553	2	● O-Ring
3	3008-095	1	● Holder Set, Brush	9	3423-085	2	● Through-Bolt
4	3008-096	4	● Spring, Brush	10	3423-162	2	Screw, Cap
5	3008-164	1	● O-Ring	11	3423-195	1	Nut
6	3423-084	1	● O-Ring				



MAGNETO ASSEMBLY

0737-780

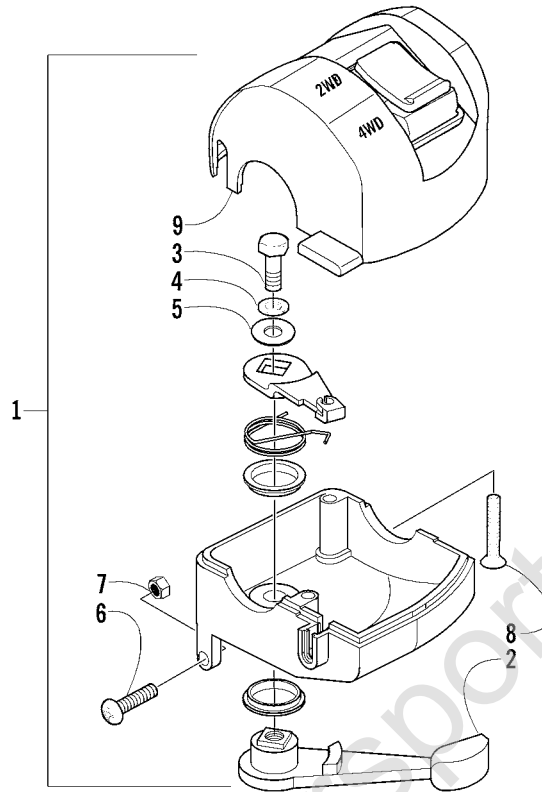
Ref.	Part No.	Qty.	Description	Ref.	Part No.	Qty.	Description
1	3430-058	1	Stator Assembly	5	3423-086	1	Nut
2	3430-046	1	Rotor/Flywheel	6	3423-005	3	Bolt
3	3423-162	3	Bolt	7	3430-006	1	Clamp - No. 1
4	0691-785	1	Key	8	3430-005	1	Clamp - No. 2



CONTROL SWITCH HOUSING ASSEMBLY

0739-980

Ref.	Part No.	Qty.	Description	Ref.	Part No.	Qty.	Description
1	0509-014	1	Switch, Control - Assembly (inc. 2-3)	3	0409-028	1	● Screw, Cap
2	0409-027	1	● Screw	4	3409-019	1	Cover, Choke Lever



THROTTLE CASE ASSEMBLY

0738-414

Ref.	Part No.	Qty.	Description	Ref.	Part No.	Qty.	Description
1	0509-012	1	Case, Throttle - Assembly (inc. 2-9)	6	3423-014	1	● Screw
2	3409-001	1	● Lever	7	3423-327	1	● Nut
3	3004-533	1	● Screw, Cap	8	3423-199	2	● Screw
4	3004-447	1	● Washer, Lock	9	0409-048	1	● Cover, Throttle Case w/Switch
5	3003-030	1	● Washer				

Ref.	Part No.	Qty.	Description	Ref.	Part No.	Qty.	Description

RELATED ITEMS

2005 500 TRV

Red (Model No. A2005TDM4BUSR)

Green (Model No. A2005TDM4BUSG)

Cat Green (Model No. A2005TDM4BUSZ)

0436-336	Bag, Rack, Front, Black	2257-179	Manual, Illustrated Parts
0436-185	Bag, Tank, Black	2257-170	Manual, Operator's (E)
0436-480	Bar, Utility	2257-171	Manuel d'utilisation (F)
0436-640	Brush Guard/Bumper - Deluxe	0652-024	Paint, Metal - Black
0436-454	Cargo Box	0436-626	Rack Basket
0436-625	Cargo Box Quick-Release Kit	0436-014	Safety Flag
0436-459	Carryall (9 x 12)	0436-386	Snowplow Attachment Kit
0436-460	Carryall (11 x 17)	0436-228	Snowplow Blade, 50 in. - Straight
0436-462	Carryall (10 D)	0436-287	Snowplow Blade, 50 in. - One-Way
0436-477	Cord Reel	0436-296	Snowplow Blade, 60 in. - Straight
0436-429	Cover, Black and Green	0436-360	Snowplow Blade, 60 in. - One-Way
0436-087	Electrical Plug	0436-356	Snowplow, Push Frame
0436-035	Engine Block Heater	0436-026	Tire Chains, Size B (24 in. and 25 in. Tires)
0436-466	Fender Box	0436-027	Tire Chains, Size C (25 in. and 26 in. Tires)
0436-538	Gear Cradle	1402-028	Tire, Titan AT589 (25x8-12, Mud & Snow)
0436-501	Grease, High-Performance	0402-563	Tire, Titan AT589 (25x10-12, Mud & Snow)
0436-464	Grill Cradle	0436-656	Winch Accessories Kit
0441-281	Gun Scabbard	0436-699	Winch Kit, 2500 lb
0436-705	Gun Scabbard Mount	0436-361	Winch Mounting Kit
0436-352	Hand/Thumb Warmers	0436-704	Windshield, Clear
0436-103	Hourmeter	0436-507	Windshield, Clear w/Accent
0436-463	Light Bar	0436-470	Workbase (8 in.)
0436-516	Light Mount, Portable - Cargo Box		
0436-040	Light, Portable - Spotlight		
0436-039	Light, Portable - Work		
0436-122	Lunch Pack, Black		

■ NOTE: For a complete list of related items, refer to the current accessory catalog.

